

Application Note

DA9061 / NXP i.MX 6Solo Power Connections

AN-PM-081

Abstract

This document describes the connectivity between the Dialog DA9061 Power Management Integrated Circuit (PMIC) and NXP i.MX 6Solo and 6DualLite system application processors.

Contents

Abstract 1

Contents 2

Figures..... 2

Tables 2

1 Terms and Definitions..... 3

2 References 3

3 Introduction..... 4

4 i.MX 6Solo/6DualLite Power Requirements 4

 4.1 i.MX 6Solo Power Rails..... 4

 4.2 Power-up Sequence..... 6

 4.3 Power-down Sequence 7

 4.4 I²C Interface 7

 4.5 Recommended External Components 7

5 Scalable Power Management Solutions 7

6 Software Driver 7

7 Development Support Tools and PMIC Configuration Files..... 8

8 Device Identification and Ordering..... 8

Revision History 8

Figures

Figure 1: DA9061 Connections to i.MX 6Solo..... 5

Figure 2: DA9061 Power-up Sequence..... 7

Tables

Table 1: i.MX 6Solo to DA9061 Power Rail Mapping..... 4

Table 2: i.MX 6Solo Sequencer Requirements 6

Table 3: Product Part Numbers..... 8

DA9061 / NXP i.MX 6Solo Power Connections

1 Terms and Definitions

GUI	Graphical User Interface
PMIC	Power Management Integrated Circuit
DVC	Dynamic Voltage Control
DVS	Dynamic Voltage Scaling. Analogous to DVC.
POR	Power-On Reset
RTC	Real-Time Clock

2 References

- [1] i.MX 6Solo/6DualLite Applications Processors for Industrial Products, datasheet, IMX6SDLIEC Rev. 5, 06/2015, NXP.
- [2] i.MX 6Solo/6DualLite Applications Processor Reference Manual, IMX6SDLRM, Rev. 2, 04/2015, NXP
- [3] Common Hardware Design for i.MX 6Dual/6Quad and i.MX 6Solo/6DualLite, AN4397, Rev. 2, 07/2015, NXP
- [4] Hardware Development Guide for i.MX 6Quad, 6Dual, 6DualLite, 6Solo Families of Applications Processors, IMX6DQ6SDLHDG, Rev 1, 06/2013, NXP
- [5] DA9061, datasheet, Dialog Semiconductor
- [6] Schematic, DA9061_iMX6S_schematic_2v0.pdf, Dialog Semiconductor
- [7] The Linux Kernel Archives, <https://kernel.org/> (DA9061 software driver) [accessed 30/3/2016]

DA9061 / NXP i.MX 6Solo Power Connections

3 Introduction

The NXP™ i.MX 6Solo™ and 6DualLite™ processors require dedicated power management for a stable and reliable system. The Dialog DA9061 PMIC provides a convenient and flexible solution that meets the processor power requirements. Although system power consumptions vary due to the differing demands of peripherals, processor, and so on, the DA9061 has sufficient headroom to meet the power requirements of most i.MX 6Solo systems. The features of DA9061 enable significant power saving, such as Dynamic Voltage Control (DVC) which intelligently manages voltage changes. The DA9061 significantly reduces system cost and size compared to an equivalent discrete solution.

This document provides details of integrating the DA9061 into an i.MX 6Solo system. As discussed in [3], the information should be equally applicable to an i.MX 6DualLite design. General guidance can be found in the NXP references listed in Section 2.

4 i.MX 6Solo/6DualLite Power Requirements

All power domains of an i.MX 6 processor require precise power management to ensure reliable system operation. The main domains are:

VDD_ARM_IN	supplies the internal ARM™ cores
VDD_SOC_IN	supplies the internal peripherals
VDD_HIGH_IN	supplies PLLs, DDR pre-drivers, PHY and miscellaneous circuitry
VDD_SNVS_IN	supplies the SNVS regulator for the RTC and SNVS (Secure Non Volatile Storage)

Additional supplies may be required for DDR memory, peripherals, I/O interfaces, USB, and so on. The power management system must also comply with the processor power-up and power-down sequence requirements.

4.1 i.MX 6Solo Power Rails

Table 1 summarizes the supply rails of the NXP i.MX 6Solo/6DualLite processor and the corresponding regulator outputs from the DA9061.

To optimize systems without a coin cell, VDD_SNVS_IN and VDD_HIGH_IN are tied together and supplied by LDO2 at 3.0 V. These rails are powered up first in the sequence.

Table 1: i.MX 6Solo to DA9061 Power Rail Mapping

i.MX 6S Rails/System Rails	DA9061 Regulator	Voltage (V)	Sequence Slot	Notes
VDD_HIGH_IN, VDD_SNVS_IN	LDO2	3.0/3.3	1	Switchable via GPIO3 between 3.0 V and 3.3 V
VDD_ARM_IN	BUCK1	1.35	2	
VDD_SOC_IN	BUCK1	1.35	2	
NVCC_DRAM (VDDQ_DDR)	BUCK3	1.5/1.35	3	Switchable via GPIO2 to support DDR3 and DDR3L
NVCC<x>	BUCK2	3.3	4	The NVCC_<x> digital I/O supply grouping is application specific
Peripherals	LDO3	1.8	5	General purpose rail, for example, supply for RGMII I/O group
Peripherals	LDO4	1.2	6	General purpose rail
Peripherals	LDO1	2.5	7	General purpose rail

The above mapping is illustrated in the interconnect block diagram of Figure 1.

DA9061 / NXP i.MX 6Solo Power Connections

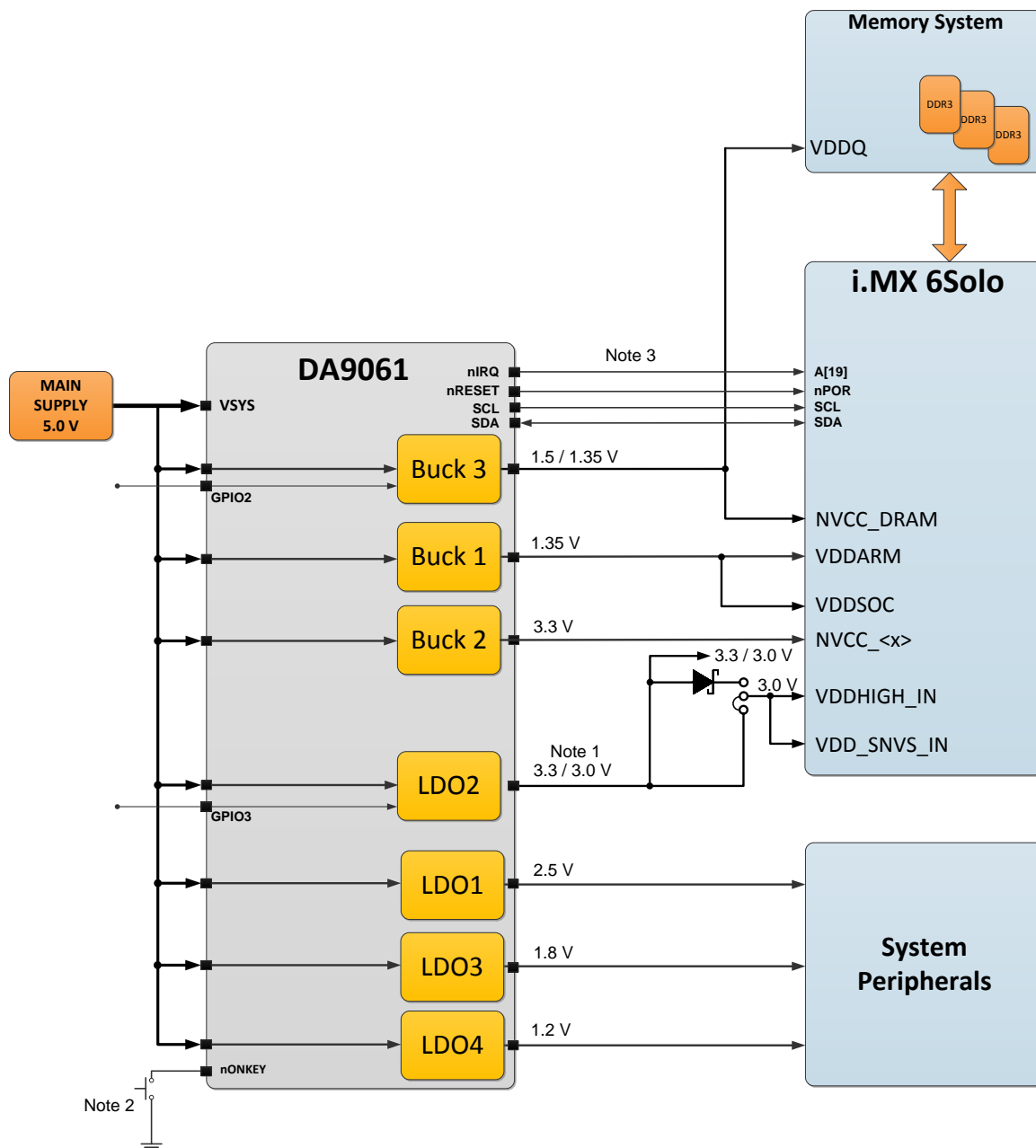


Figure 1: DA9061 Connections to i.MX 6Solo

- Note 1** LDO2 is switchable between 3.0 V and 3.3 V based on GPIO3 level. Since no battery is used, VDD_SNVS_IN is shorted to VDDHIGH_IN, as described in [1] Section 4.2.1. If LDO2 is set to 3.3 V (for example to drive a system peripheral), then the diode is required to reduce the voltage on VDDHIGH_IN/VDD_SNVS_IN.
- Note 2** DA9061-62 has the autoboot function enabled in OTP. The DA9061-63 has autoboot disabled and is therefore suited for systems requiring an ONKEY wake-up.
- Note 3** Pull-up resistors for open-drain lines are not shown.

The voltage for VDD_ARM_IN and VDD_SOC_IN has been set in OTP as 1.35 V. For PCB layouts that have significant ohmic drops along these supply rails, the losses can be compensated for by increasing the level, to 1.38 V for example. This is achieved by an I²C software write to DA9061 control VBUCK1_A immediately after system power-up.

DA9061 / NXP i.MX 6Solo Power Connections

4.2 Power-up Sequence

The sequence used by the DA9061 standard variants, DA9061-62 and DA9061-63, conforms to the requirements described in the i.MX 6Solo datasheet [1] and Reference Manual [2], with specific details highlighted in Table 2.

Table 2: i.MX 6Solo Sequencer Requirements

Requirements in i.MX 6Solo Datasheet [1]	DA9061 Configuration Notes
VDD_SNVS_IN supply must be turned on before any other power supply or be connected (shorted) with VDD_HIGH_IN supply.	VDD_SNVS_IN must be supplied by a coin cell or shorted to VDD_HIGH_IN. In either case, VDD_SNVS should be turned on before any other supply. LDO2 is sequenced in Slot 1 to support this.
If a coin cell is used to power VDD_SNVS_IN, then ensure that it is connected before any other supply is switched on.	No resulting requirement for DA9061.
If the external SRC_POR_B signal is used to control the processor POR, SRC_POR_B must remain low (asserted) until the VDD_ARM_CAP and VDD_SOC_CAP supplies are stable. VDD_ARM_IN and VDD_SOC_IN may be applied in either order with no restrictions.	For 6Solo, ARM_IN and SOC_IN are shorted and the delay for the POR_B pin is required. The delay is provided by the DA9061 sequencer delay for nRESET (register RESET at address 0x99).
If the external SRC_POR_B signal is not used (always held high or left unconnected), the processor defaults to the internal POR function (where the PMU controls generation of the POR based on the power supplies). If the internal POR function is used, the following power supply requirements must be met: <ul style="list-style-type: none"> VDD_ARM_IN and VDD_SOC_IN may be supplied from the same source, or, VDD_SOC_IN can be supplied before VDD_ARM_IN with a maximum delay of 1 ms. VDD_ARM_CAP must not exceed VDD_SOC_CAP by more than +50 mV. 	The DA9061 reference design does use POR_B, so this is irrelevant.
NOTE: The SRC_POR_B input (if used) must be immediately asserted at power-up and remain asserted until after the last power rail reaches its working voltage. In the absence of an external reset feeding the SRC_POR_B input, the internal POR module takes control. See the i.MX 6Solo/6DualLite Reference Manual for further details and to ensure that all necessary requirements are being met.	The DA9061 design uses POR_B with a delay, as mentioned above. POR_B is asserted by the DA9061 immediately when system power is supplied. It is released after all sequenced supplies reach their final stable voltages. Other system components may also assert POR_B, as illustrated in the schematic [6] as wdog2_WDOG.
NOTE: Need to ensure that there is no back voltage (leakage) from any supply on the board towards the 3.3 V supply (for example, from the external components that use both the 1.8 V and 3.3 V supplies).	No resulting requirement for DA9061.
NOTE: USB_OTG_VBUS and USB_H1_VBUS are not part of the power supply sequence and may be powered at any time.	No resulting requirement for DA9061.

DA9061 / NXP i.MX 6Solo Power Connections

Figure 2 shows the power-up sequence generated by the DA9061-62, which meets the i.MX 6Solo start-up requirements.

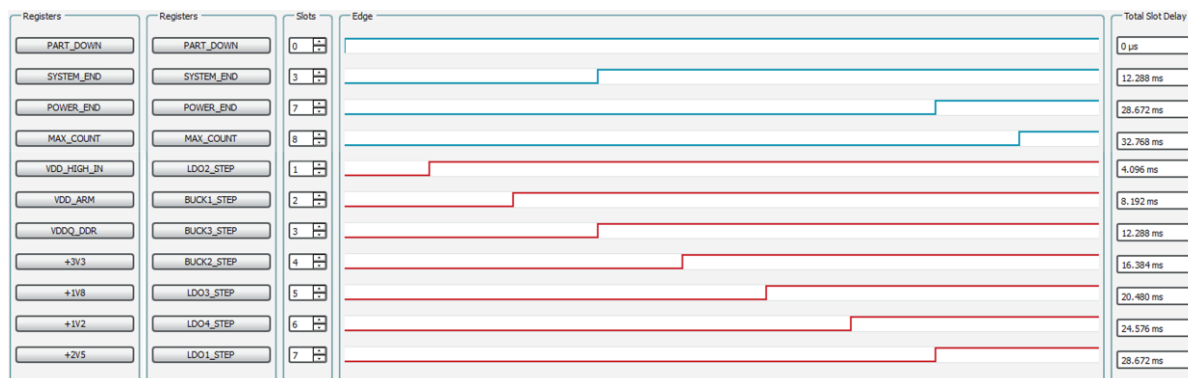


Figure 2: DA9061 Power-up Sequence

4.3 Power-down Sequence

There are no requirements specific to power-down. Restrictions for other supplies are discussed in [1].

4.4 I²C Interface

An I²C interface between the i.MX 6 and the DA9061 device allows software, including the operating system kernel, to access the internal PMIC registers for control and monitoring. The slave address of the DA9061 is 0xB0.

4.5 Recommended External Components

For a list of recommended external components, please refer to the schematic [6] and the DA9061 datasheet [5]. The recommended values of inductors and capacitors must be used at the output of all bucks and LDOs to guarantee the closed-loop stability and optimum efficiency of the supplies.

5 Scalable Power Management Solutions

Some systems require more regulators than available from the DA9061. This is frequently due to the demands of the peripherals. In these circumstances, other Dialog PMICs in the same family (for example, DA9062, DA9063 and DA9063L) are likely to provide suitable solutions. The DA9062 is pin-compatible with the DA9061 and provides additional features often required by i.MX 6 systems such as a real-time clock (RTC), a dual-phase (5 A) buck configuration, DDR memory termination (DA9062 VTT supply) and VTTR memory reference voltage.

6 Software Driver

After the DA9061 has started the i.MX 6 system, software can read and write to the PMIC via the I²C bus. This can be used for further PMIC configuration, such as the GPIOs, interrupt servicing, DVC, watchdog 'keep-alive' writes, and so on. Dialog drivers for Linux™ are available in the Linux kernel from <https://kernel.org/> [7] or, if interim assistance is required, from your Dialog Sales representative.

DA9061 / NXP i.MX 6Solo Power Connections

7 Development Support Tools and PMIC Configuration Files

To assist with hardware and software development, Dialog provides the following:

- DA9061 Evaluation Kit
- This contains motherboard and daughterboard for hardware evaluation and software development. It also includes the SmartCanvas GUI software.
- SmartCanvas GUI
- This is PC-driven software to provide easy access to a device under test (DUT). The GUI is used to exercise the DUT using the I²C interface. Control or measurement of analog and digital pins is supported. SmartCanvas supports the Dialog PMIC OTP configuration file format – .ini files.
- OTP configuration .ini files
- These files define the configuration of the DA9061 at boot and define the different variants such as the -62 and -63. The following ini files are available from the Dialog Support Site:
 - DA9061-62_IMX6S_AUTOBOOT_0v1_E61A.ini (autoboot enabled)
 - DA9061-63_IMX6S_NO_AUTOBOOT_0v1_40D5.ini (autoboot disabled)
 These files are opened using the SmartCanvas GUI.
- Design schematic [6] with details of PMIC to processor interconnections.
- Linux software driver, see Section 6.

8 Device Identification and Ordering

DA9061-62 has the autoboot feature enabled in OTP. The DA9061-63 has autoboot disabled and is therefore suited for systems requiring an ONKEY wake-up. If the DA9061-62 and DA9061-63 prove unsuitable for your target i.MX 6Solo/6DualLite design, please contact your Dialog sales representative to discuss custom variants. (Minimum order quantities apply for custom variants.)

Table 3: Product Part Numbers

Part Number	Description (Note 1)
DA9061-62AMx	Autoboot. Industrial grade
DA9061-62AMx-A	Autoboot. Automotive AEC-Q100 Grade 3
DA9061-63AMx	Non-autoboot. Industrial grade
DA9061-63Mx-A	Non-autoboot. Automotive AEC-Q100 Grade 3

Note 1 See the DA9061 datasheet [5] for further information regarding part ordering. All parts are available in tray (x = 1) or Tape & Reel (x = 2).

Revision History

Revision	Date	Description
1.0	21-Apr-2016	First release
2.0	18-Jul-2016	Section 2: Updated the reference to the revised schematic (2v0). Clarified LDO2 options in Figure 1 and in the supporting notes. Changed the sequence to have LDO2 start VDD_SNV5_IN first in Slot 1. Replaced DA9061-60 with DA9061-62 to reflect the above changes. Replaced DA9061-61 with DA9061-63 to reflect the above changes.

DA9061 / NXP i.MX 6Solo Power Connections

Status Definitions

Status	Definition
DRAFT	The content of this document is under review and subject to formal approval, which may result in modifications or additions.
APPROVED or unmarked	The content of this document has been approved for publication.

Disclaimer

Information in this document is believed to be accurate and reliable. However, Dialog Semiconductor does not give any representations or warranties, expressed or implied, as to the accuracy or completeness of such information. Dialog Semiconductor furthermore takes no responsibility whatsoever for the content in this document if provided by any information source outside of Dialog Semiconductor.

Dialog Semiconductor reserves the right to change without notice the information published in this document, including without limitation the specification and the design of the related semiconductor products, software and applications.

Applications, software, and semiconductor products described in this document are for illustrative purposes only. Dialog Semiconductor makes no representation or warranty that such applications, software and semiconductor products will be suitable for the specified use without further testing or modification. Unless otherwise agreed in writing, such testing or modification is the sole responsibility of the customer and Dialog Semiconductor excludes all liability in this respect.

Customer notes that nothing in this document may be construed as a license for customer to use the Dialog Semiconductor products, software and applications referred to in this document. Such license must be separately sought by customer with Dialog Semiconductor.

All use of Dialog Semiconductor products, software and applications referred to in this document are subject to Dialog Semiconductor's [Standard Terms and Conditions of Sale](http://www.dialog-semiconductor.com), available on the company website (www.dialog-semiconductor.com) unless otherwise stated.

Dialog and the Dialog logo are trademarks of Dialog Semiconductor plc or its subsidiaries. All other product or service names are the property of their respective owners.

© 2016 Dialog Semiconductor. All rights reserved.

Contacting Dialog Semiconductor

United Kingdom (Headquarters)

Dialog Semiconductor (UK) LTD
Phone: +44 1793 757700

Germany

Dialog Semiconductor GmbH
Phone: +49 7021 805-0

The Netherlands

Dialog Semiconductor B.V.
Phone: +31 73 640 8822

Email:

enquiry@diasemi.com

North America

Dialog Semiconductor Inc.
Phone: +1 408 845 8500

Japan

Dialog Semiconductor K. K.
Phone: +81 3 5425 4567

Taiwan

Dialog Semiconductor Taiwan
Phone: +886 281 786 222

Web site:

www.dialog-semiconductor.com

Singapore

Dialog Semiconductor Singapore
Phone: +65 64 8499 29

Hong Kong

Dialog Semiconductor Hong Kong
Phone: +852 3769 5200

Korea

Dialog Semiconductor Korea
Phone: +82 2 3469 8200

China (Shenzhen)

Dialog Semiconductor China
Phone: +86 755 2981 3669

China (Shanghai)

Dialog Semiconductor China
Phone: +86 21 5424 9058