

# Errata

## SLG46855

### CE-GP-006

#### **Abstract**

*This document contains the known errata for SLG46855 and the recommended workarounds.*

---

## SLG46855 Errata

## 1 Information

<b>Package(s)</b>	14-pin STQFN: 1.6 mm x 2.0 mm x 0.55 mm, 0.4 mm pitch
-------------------	---

## 2 Errata Summary

Table 1: Errata Summary

Issue #	Issue Title
1	<a href="#">Incorrect I2C Reads of the 8-bit Counter Registers</a>
2	<a href="#">Unstable Vref Output Buffer</a>
3	<a href="#">Incorrect Data Write</a>
4	<a href="#">Extra 300 <math>\mu</math>A Current Consumption when Using SCL and SDA Pins as GPIO</a>
5	<a href="#">Leakage from ACMP IN+ to Analog Input Pins</a>

## 3 Errata Details

### 3.1 Incorrect I<sup>2</sup>C Reads of the 8-bit Counter Registers

#### 3.1.1 Effect

CNT2/DLY2 and CNT4/DLY4

#### 3.1.2 Conditions

I<sup>2</sup>C latch signal and the clock input occur at about the same time.

#### 3.1.3 Technical Description

Asynchronous interaction between the CNT/DLY clock input and the I<sup>2</sup>C latch signal (generated by an I<sup>2</sup>C read command of the CNT/DLY block's count value) can result in an incorrect I<sup>2</sup>C data read. The CNT/DLY block will count accurately, but the count value transferred into the block's I<sup>2</sup>C read register might be loaded incompletely if the I<sup>2</sup>C latch signal and the clock input occur at about the same time.

The example data capture below shows ten periodic I<sup>2</sup>C reads of CNT2/DLY2 configured to count down at about 16 clocks per read. The sixth read sample erroneously shows a value greater than that of the fifth. The seventh sample reads as if the previous I<sup>2</sup>C error never occurred - the difference from the fifth sample (176) to the seventh (143) is 33 clocks or 16 clocks + 17 clocks as expected.

Channel 1 (yellow/top line) – PIN#2 (CNT2/DLY2 Out)  
 Channel 2 (light blue/2nd line) – PIN#1 (I<sup>2</sup>C Read Triggers)  
 Channel 3 (magenta /3rd line) – PIN#8 (I<sup>2</sup>C SCL)  
 Channel 3 (dark blue /4th line) – PIN#9 (I<sup>2</sup>C SDA)

## SLG46855 Errata

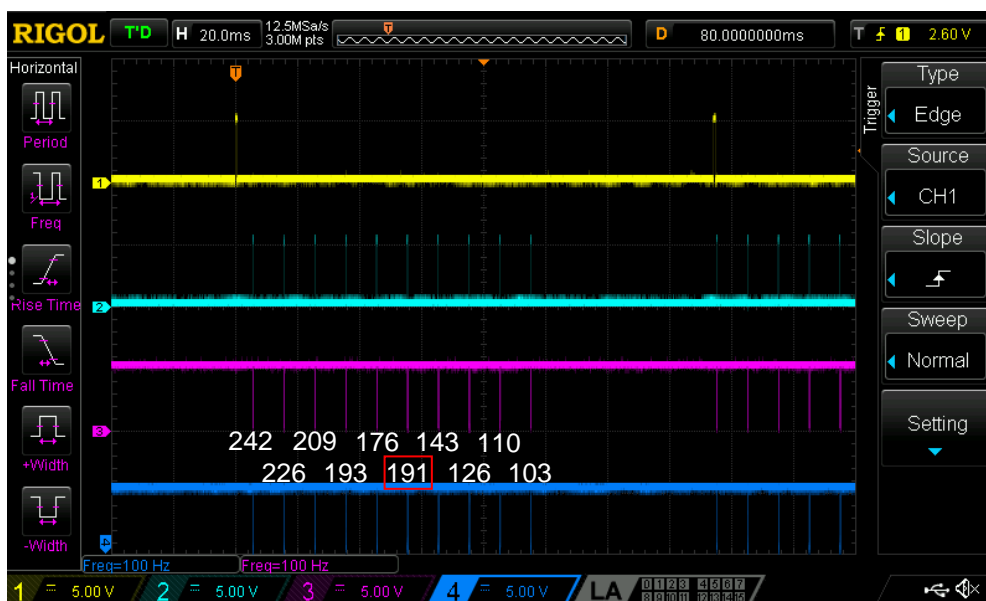


Figure 1: Example Data

### 3.1.4 Workaround

If the possibility of incorrect I<sup>2</sup>C data reads can't be accommodated for by external software checks, one can guarantee proper operation by stopping the CNT/DLY block's clock during I<sup>2</sup>C reads through one of the following methods: by disabling the oscillator block, by reconfiguring the CNT/DLY block's clock source, or by gating an external clock using a LUT (Look up Table) in the signal matrix. After disabling the CNT/DLY block's clock, the count registers can be read without error. Please note that this workaround will add the I<sup>2</sup>C read and processing time to the counter's overall clock period.

The best workaround depends on the resource constraints of the application. If the oscillator block doesn't clock other logic elements within the design, a matrix output can be used to manually power down the oscillators for the I<sup>2</sup>C read. When the CNT/DLY block's clock source is routed internally from the oscillator block, I<sup>2</sup>C commands can temporarily reconfigure the CNT/DLY block's clock source registers to select "Ext. CLK. (From Matrix)." This action will disable the clock by connecting it to ground. If the CNT/DLY block is clocked from the signal matrix, a LUT can be used to gate the clock during an I<sup>2</sup>C read.

## 3.2 Unstable Vref Output Buffer

### 3.2.1 Effect

Both Vref Output

### 3.2.2 Conditions

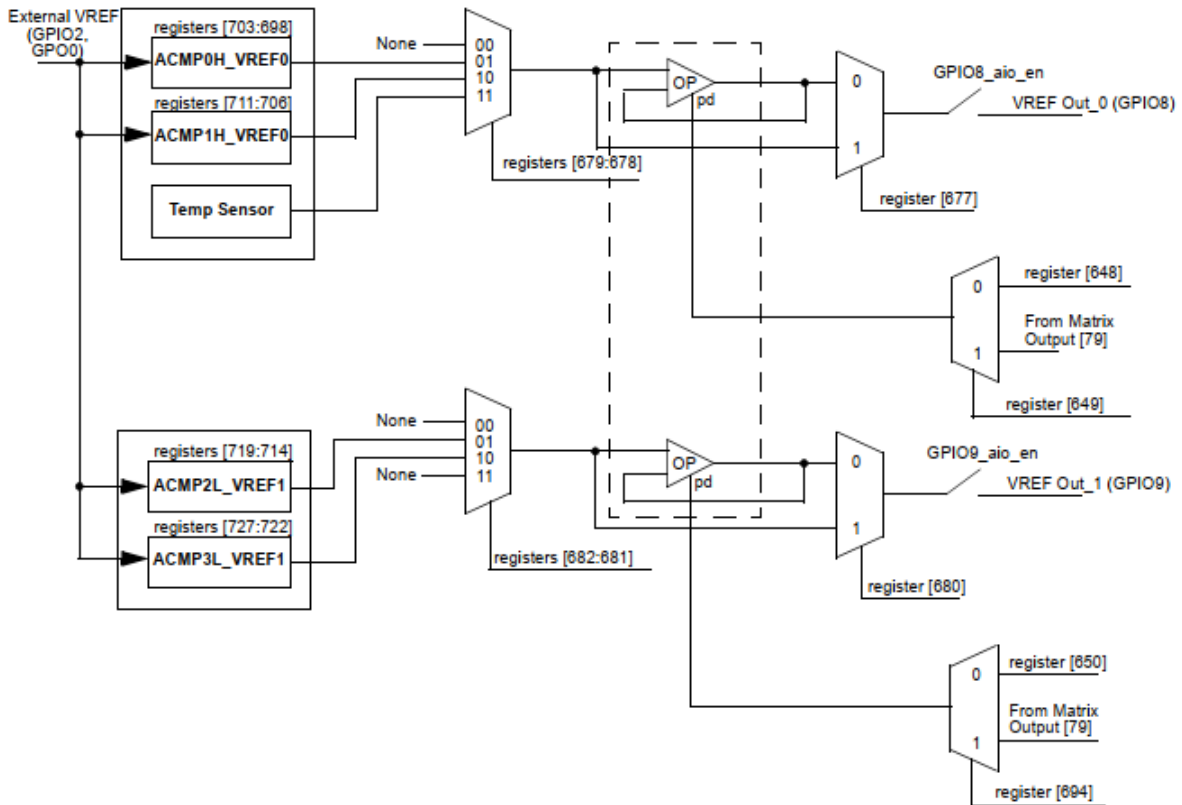
$V_{DD} = 2.5 \text{ V}$ ,  $V_{ref \text{ Out}} = (0.5 \times V_{DD}) \pm 0.4 \text{ V}$ .

### 3.2.3 Technical Description

For systems where  $V_{DD} = 2.5 \text{ V}$ , the Vref output buffer will be unstable if the output voltage is around  $0.5 \times V_{DD}$ .

**SLG46855 Errata**
**3.2.4 Workaround**

For a system where  $V_{DD} = 2.5\text{ V}$ , bypass the buffer if the output voltage of the Vref buffer is within  $(0.5 \times V_{DD}) \pm 0.4$ . Check the Vref section of the device datasheet to see which registers need to be modified.



**Figure 2: Voltage Reference Block Diagram**

**3.3 Incorrect Data Write**
**3.3.1 Effect**

I<sup>2</sup>C

**3.3.2 Conditions**

Any.

**3.3.3 Technical Description**

When performing a masked I<sup>2</sup>C write, unchanged bits in the 8-bit I<sup>2</sup>C bus may be coupled to the changed bits due to the large coupling capacitor between the I<sup>2</sup>C bus bits, leading to incorrect data being written.

**3.3.4 Workaround**

There is no workaround, but this will be fixed in the next silicon revision.

**SLG46855 Errata**
**3.4 Extra 300  $\mu$ A Current Consumption when Using SCL and SDA Pins as GPIO**
**3.4.1 Effect**

GPIO0, GPIO1

**3.4.2 Conditions**

SCL and SDA pins used as GPIO outputs.

**3.4.3 Technical Description**

When using the I<sup>2</sup>C SCL and SDA pins as GPIO outputs, there is an internal block that causes about 300  $\mu$ A of current consumption. This does not appear when the I<sup>2</sup>C pins are used as either digital input pins or as I<sup>2</sup>C pins.

**3.4.4 Workaround**

There is no workaround. It is not recommended to use these pins as Digital Outputs.

**3.5 Leakage from ACMP IN+ to Analog Input Pins**
**3.5.1 Effect**

GPIO4/5/6/7, ACMP0/1H, ACMP2/3L

**3.5.2 Conditions**

Multiple input sources connected to the ACMP IN+ port simultaneously.

**3.5.3 Technical Description**

When configured in “Analog IO” mode, GPIO4/5/6/7 can experience abnormal leakage behavior. This behavior occurs when multiple input sources are simultaneously connected to the ACMP IN+ port. Each of the 4 ACMPs has an input MUX which selects the IN+ source for the comparator. The MUX options are shown in the table below.

**Table 2: ACMP Input Options**

ACMP IN+ MUX Options	
ACMP0H	GPIO4 Buffered GPIO4 V <sub>DD</sub>
ACMP1H	GPIO5 Buffered GPIO5 ACMP0H IN+ source
ACMP2L	GPIO6 ACMP0H IN+ source ACMP1H IN+ source
ACMP3L	GPIO7 ACMP2L IN+ source VREF0 output

In the GreenPAK Designer, the input source is selected by the IN+ source dropdown within the ACMP’s properties window. When an input source is selected and the ACMP is enabled, an analog

## SLG46855 Errata

switch connects the source to the ACMP's IN+ port. If multiple sources are connected to the ACMP's IN+ port, there will be leakage between the sources.

The GPIOs shown above can be repurposed as Digital IOs if the ACMPs are disabled or if another input source is selected for the ACMP by the IN+ input MUX. Whenever a GPIO input mode is configured as an "Analog IO" in accordance with the register definition below, the GPIO will be connected to the ACMP's IN+ port through an internal switch. This can create a leakage scenario if the ACMP is enabled and connected to another input source.

**Table 3: GPIO Input Mode Configurations**

Byte	Register Bit	Signal Function	Register Bit Definition
<b>GPIO4</b>			
0x66	821	Input Mode Configuration	00: Digital without Schmitt Trigger
	822		01: Digital with Schmitt Trigger 10: Low Voltage Digital In 11: Analog IO
<b>GPIO5</b>			
0x67	829	Input Mode Configuration	00: Digital without Schmitt Trigger
	830		01: Digital with Schmitt Trigger 10: Low Voltage Digital In 11: Analog IO
<b>GPIO6</b>			
0x68	836	Input Mode Configuration	00: Digital without Schmitt Trigger
	837		01: Digital with Schmitt Trigger 10: Low Voltage Digital In 11: Analog IO
<b>GPIO7</b>			
0x69	843	Input Mode Configuration	00: Digital without Schmitt Trigger
	844		01: Digital with Schmitt Trigger 10: Low Voltage Digital In 11: Analog IO

There are 3 standard GPIO settings that use the "Analog IO" configuration: Analog input/output, Digital input/output (with "Input mode" set to Analog input), and Digital output (with "Output mode" set to 1/2/4x 3-State Output). The first setting is reserved for use with the ACMP, but the other two settings use the "Analog IO" configuration as a high-impedance input. It is important to note that these input modes won't be high impedance if the ACMP is enabled and connected to another input source. When two signals are connected to the ACMP's IN+ source, the voltage level at the ACMP's input depends upon the drive strength of the competing sources.

**Figure 3** shows the GreenPAK configured with GPIO4 as a Digital IO with a 1 MΩ pull-down resistor. Since the OE pin is connected to 0 V, this pin is acting as an "Analog IO." As seen in **Table 2**, GPIO4 and V<sub>DD</sub> are both input options for ACMP0H. In this example, GPIO is being used as a digital input to enable and disable the ACMP.

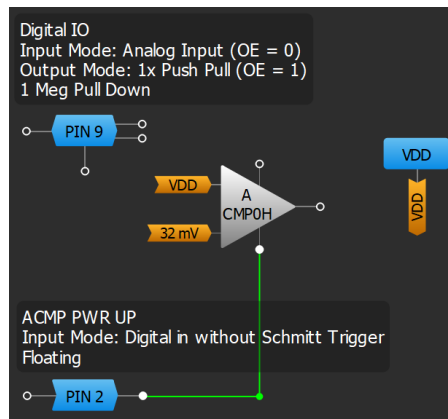


Figure 3: GreenPAK Input Structure Test Schematic

Figure 4 shows that GPIO4 in analog input mode is pulled HIGH by the V<sub>DD</sub> signal whenever the ACMP is enabled despite having an internal pull-down resistor. This behavior is caused by an internal connection between V<sub>DD</sub> and GPIO4. Similar behavior can be reproduced when one ACMP's IN+ port is connected to another ACMP's IN+ port.

CH1 (Yellow): ACMP PWR UP (GPIO)

CH3 (Light Blue): Digital IO w/ Analog Input Mode Configuration (GPIO4)

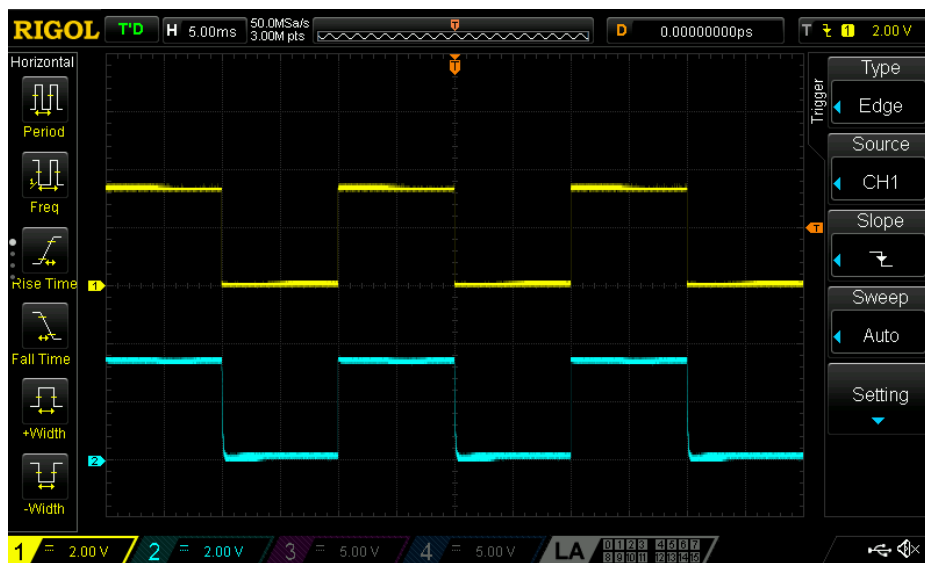


Figure 4: ACMP Input Structure Behavior

### 3.5.4 Workaround

If an ACMP is disabled, the GPIO associated with that ACMP will operate as expected under any configuration. Please reference [Table 2](#) for more information regarding which GPIOs are associated with which ACMPs.

When the ACMPs are enabled, it is possible to inadvertently connect multiple ACMP sources together through the input structure. This is possible when the ACMP input is connected to a source other than its analog GPIO and that GPIO's input mode is set to "Analog IO".

There is no workaround for this behavior. With this in mind, the GPIOs should not be used as digital IOs (with "Input mode" set to Analog input) or as digital outputs (with "Output mode" set to 1/2/4x 3-State Output) if the respective ACMP is enabled and connected to another input source.

---

SLG46855 Errata

Document Revision History

Revision	Date	Description
1.0	29-Dec-2020	Updated according to new Dialog's format



## SLG46855 Errata

### Status Definitions

Status	Definition
DRAFT	The content of this document is under review and subject to formal approval, which may result in modifications or additions.
APPROVED or unmarked	The content of this document has been approved for publication.

### Disclaimer

Unless otherwise agreed in writing, the Dialog Semiconductor products (and any associated software) referred to in this document are not designed, authorized or warranted to be suitable for use in life support, life-critical or safety-critical systems or equipment, nor in applications where failure or malfunction of a Dialog Semiconductor product (or associated software) can reasonably be expected to result in personal injury, death or severe property or environmental damage. Dialog Semiconductor and its suppliers accept no liability for inclusion and/or use of Dialog Semiconductor products (and any associated software) in such equipment or applications and therefore such inclusion and/or use is at the customer's own risk.

Information in this document is believed to be accurate and reliable. However, Dialog Semiconductor does not give any representations or warranties, express or implied, as to the accuracy or completeness of such information. Dialog Semiconductor furthermore takes no responsibility whatsoever for the content in this document if provided by any information source outside of Dialog Semiconductor.

Dialog Semiconductor reserves the right to change without notice the information published in this document, including, without limitation, the specification and the design of the related semiconductor products, software and applications. Notwithstanding the foregoing, for any automotive grade version of the device, Dialog Semiconductor reserves the right to change the information published in this document, including, without limitation, the specification and the design of the related semiconductor products, software and applications, in accordance with its standard automotive change notification process.

Applications, software, and semiconductor products described in this document are for illustrative purposes only. Dialog Semiconductor makes no representation or warranty that such applications, software and semiconductor products will be suitable for the specified use without further testing or modification. Unless otherwise agreed in writing, such testing or modification is the sole responsibility of the customer and Dialog Semiconductor excludes all liability in this respect.

Nothing in this document may be construed as a license for customer to use the Dialog Semiconductor products, software and applications referred to in this document. Such license must be separately sought by customer with Dialog Semiconductor.

All use of Dialog Semiconductor products, software and applications referred to in this document is subject to Dialog Semiconductor's [Standard Terms and Conditions of Sale](http://www.dialog-semiconductor.com), available on the company website ([www.dialog-semiconductor.com](http://www.dialog-semiconductor.com)) unless otherwise stated.

Dialog, Dialog Semiconductor and the Dialog logo are trademarks of Dialog Semiconductor Plc or its subsidiaries. All other product or service names and marks are the property of their respective owners.

© 2020 Dialog Semiconductor. All rights reserved.

## Contacting Dialog Semiconductor

#### United Kingdom (Headquarters)

*Dialog Semiconductor (UK) LTD*  
Phone: +44 1793 757700

#### Germany

*Dialog Semiconductor GmbH*  
Phone: +49 7021 805-0

#### The Netherlands

*Dialog Semiconductor B.V.*  
Phone: +31 73 640 8822

#### Email:

[enquiry@diasemi.com](mailto:enquiry@diasemi.com)

#### North America

*Dialog Semiconductor Inc.*  
Phone: +1 408 845 8500

#### Japan

*Dialog Semiconductor K. K.*  
Phone: +81 3 5769 5100

#### Taiwan

*Dialog Semiconductor Taiwan*  
Phone: +886 281 786 222

#### Web site:

[www.dialog-semiconductor.com](http://www.dialog-semiconductor.com)

#### Hong Kong

*Dialog Semiconductor Hong Kong*  
Phone: +852 2607 4271

#### Korea

*Dialog Semiconductor Korea*  
Phone: +82 2 3469 8200

#### China (Shenzhen)

*Dialog Semiconductor China*  
Phone: +86 755 2981 3669

#### China (Shanghai)

*Dialog Semiconductor China*  
Phone: +86 21 5424 9058