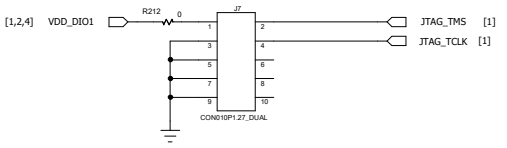


REVISION RECORD			
LTR	ECO NO.	APPROVED	DATE

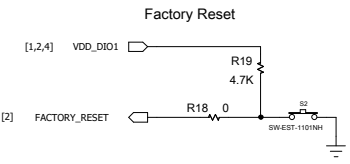
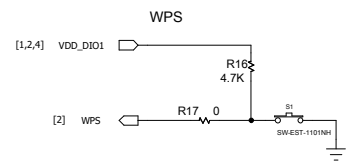
COMPANY:					
TITLE: DA16200+DA14531					
DRAWN:	DATED:	CODE:	SIZE:	DRAWING NO:	REV:
CHECKED:	DATED:	A2		S9000SCM71171205	1.0
QUALITY CONTROL:	DATED:				
RELEASED:	DATED:	SCALE:		SHEET 6	

REVISION RECORD			
LTR	ECO NO.	APPROVED:	DATE

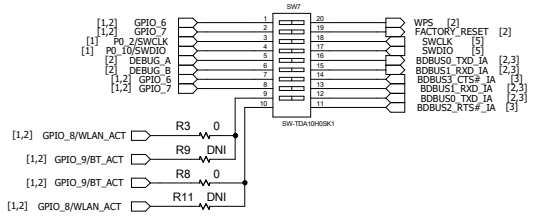
### JTAG



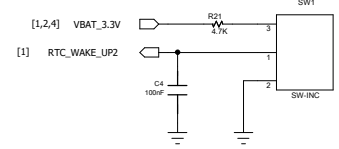
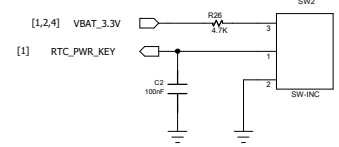
### Factory Reset & WPS



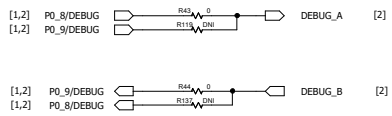
### SWITCH



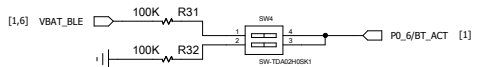
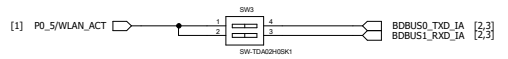
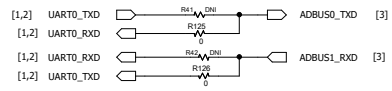
### RTC KEY CONTROL



### DA14531\_UART2



### DA16200\_UART0



COMPANY: Dialog

TITLE: DA16200+DA14531

DRAWN:	DATED:
CHECKED:	DATED:
QUALITY CONTROL:	DATED:
RELEASED:	DATED:

CODE:	SIZE:	DRAWING NO:	REV:
	A2	S9000SCM71171205	1.0
SCALE:			SHEET: 2 6

6

5

4

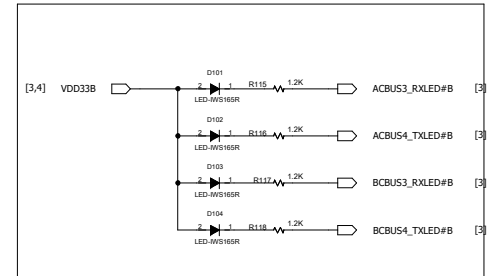
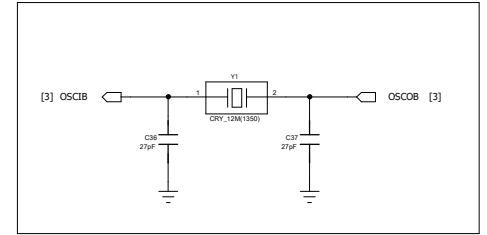
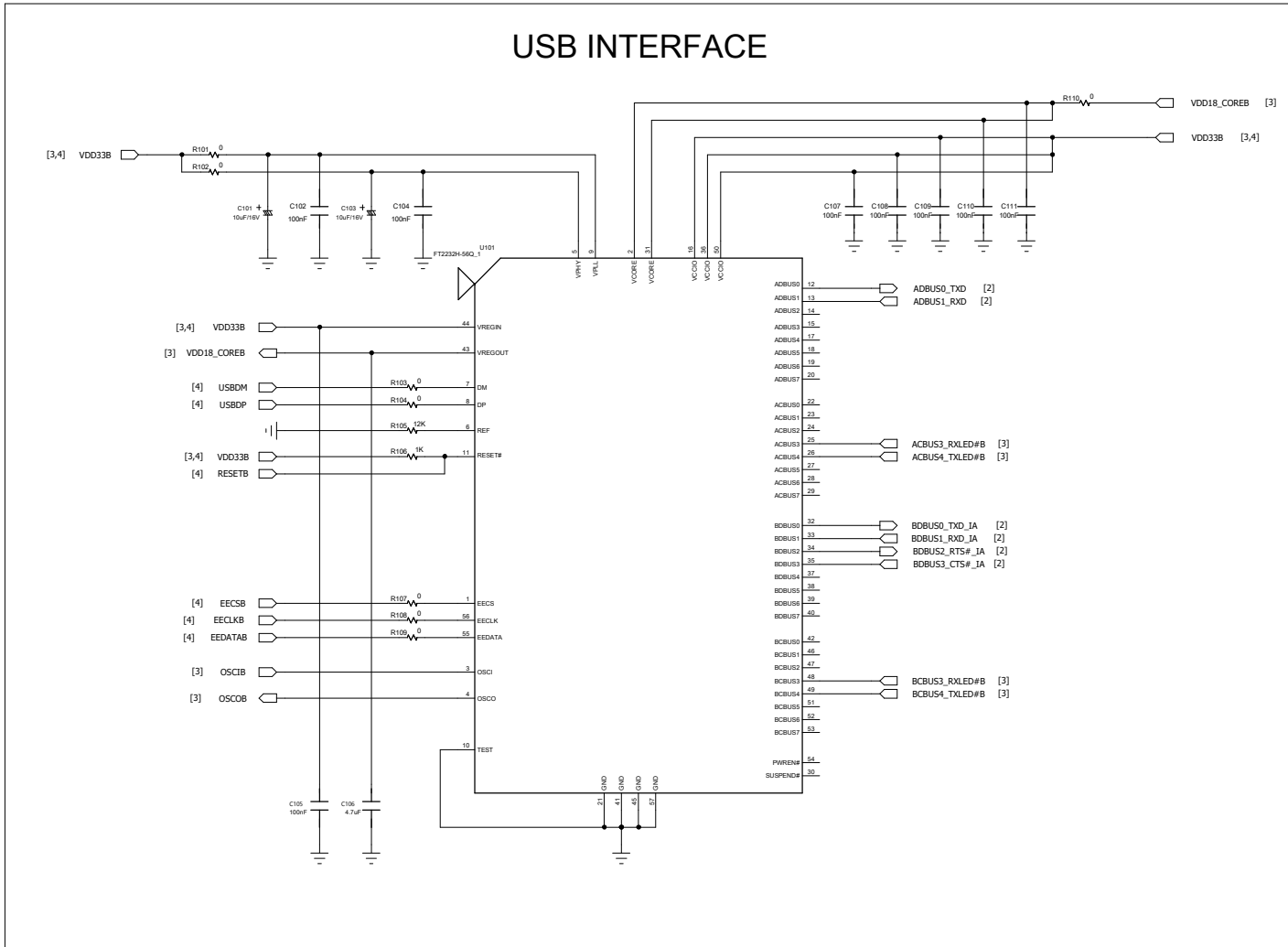
3

2

1

REVISION RECORD			
LTR	ECO NO.	APPROVED:	DATE

# USB INTERFACE



COMPANY: Dialog			
TITLE: DA16200+DA14531			
CODE:	SIZE:	DRAWING NO:	REV:
	A2	S9000SCM71171205	1.0
SCALE:			SHEET: 6

DRAWN:	DATED:
CHECKED:	DATED:
QUALITY CONTROL:	DATED:
RELEASED:	DATED:

D

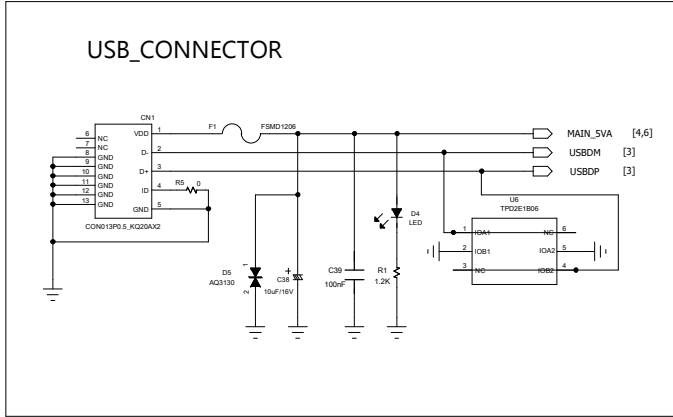
C

B

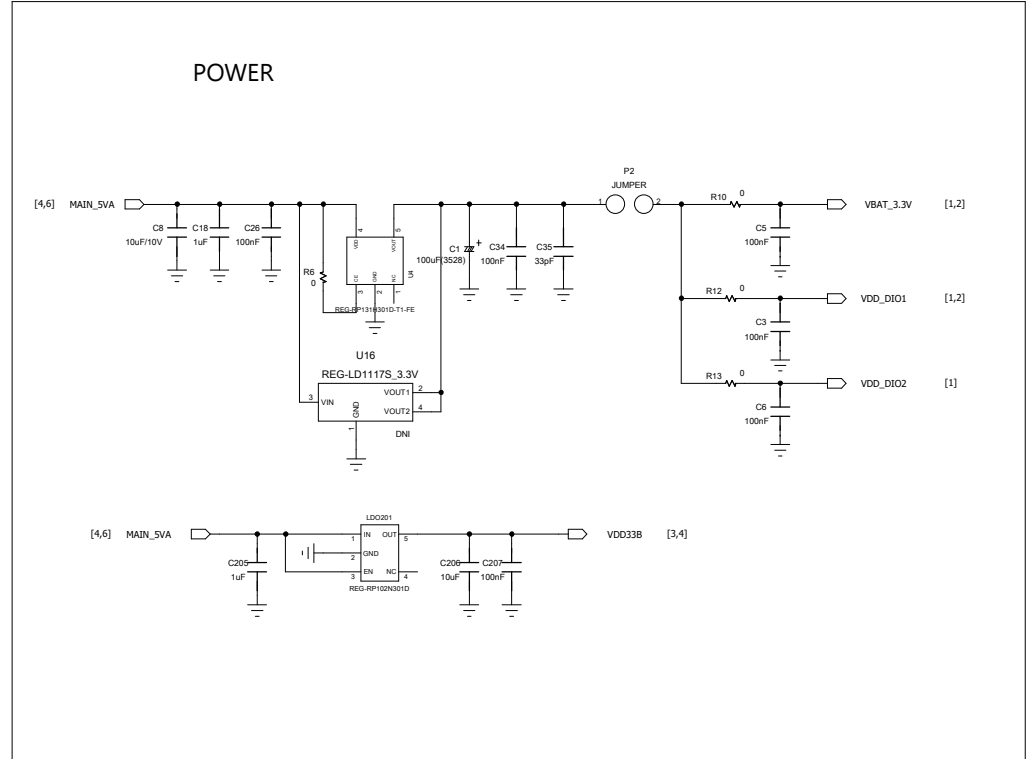
A

REVISION RECORD			
LTR	ECCO NO.	APPROVED:	DATE:

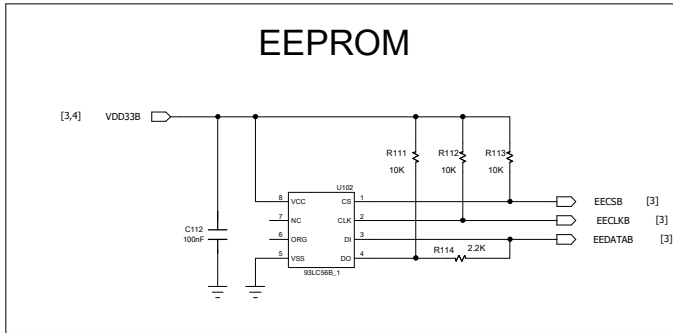
### USB\_CONNECTOR



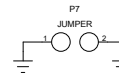
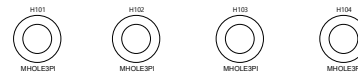
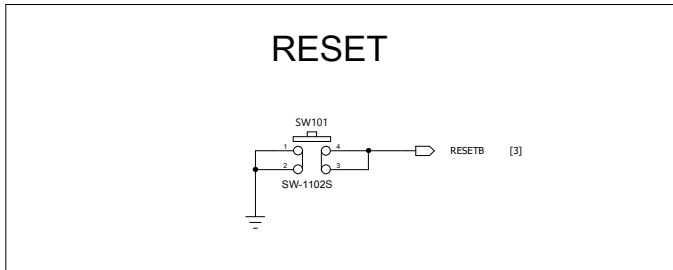
### POWER



### EEPROM

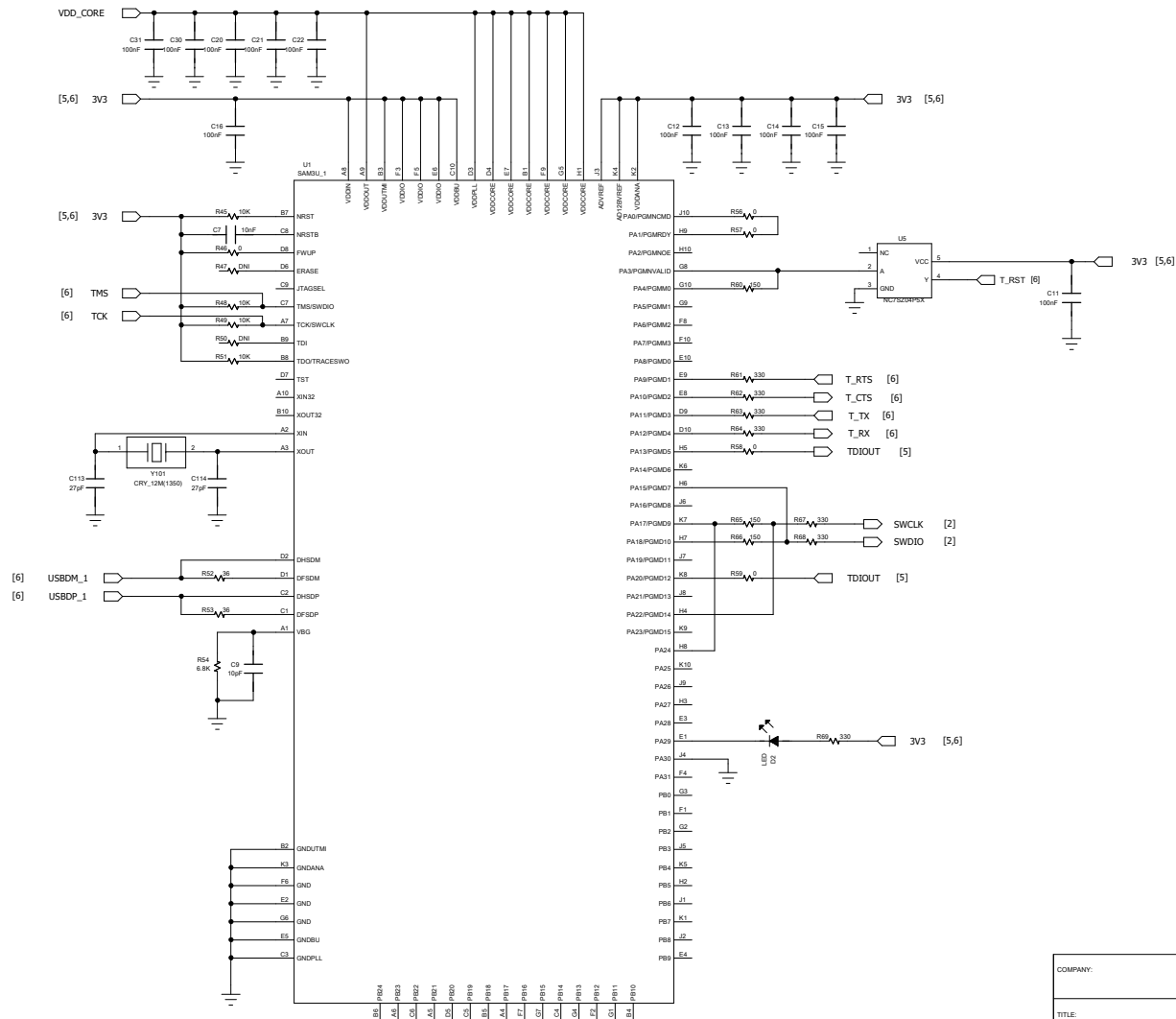


### RESET



COMPANY:		Dialog		
TITLE:		DA16200+DA14531		
DRAWN:	DATED:	CODE:	SIZE:	DRAWING NO:
CHECKED:	DATED:	A2		S9000SCM71171205
QUALITY CONTROL:	DATED:	REV:		1.0
RELEASED:	DATED:	SCALE:		SHEET: 6

REVISION RECORD			
LTR	ECO NO.	APPROVED:	DATE:

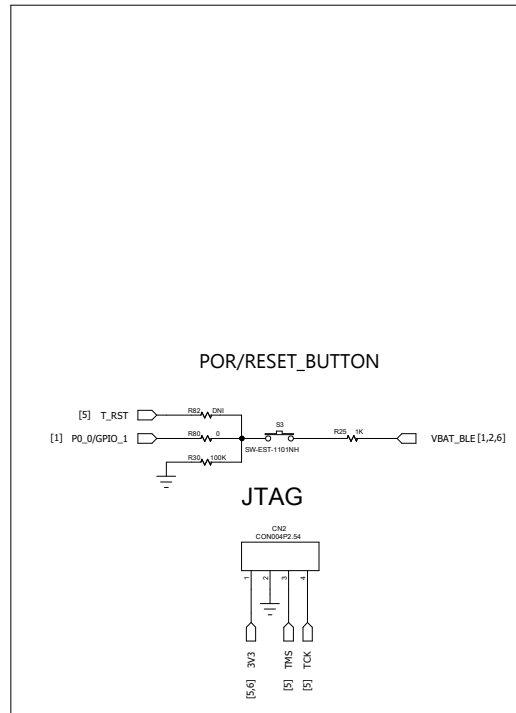
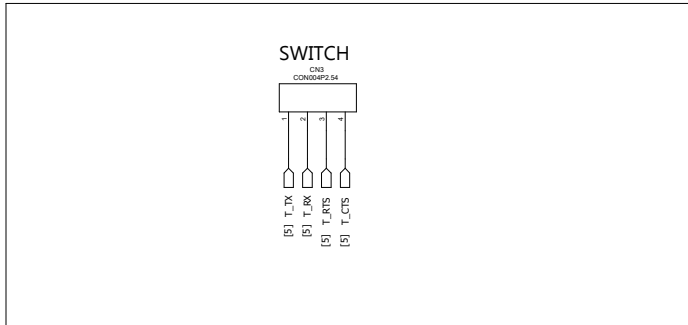
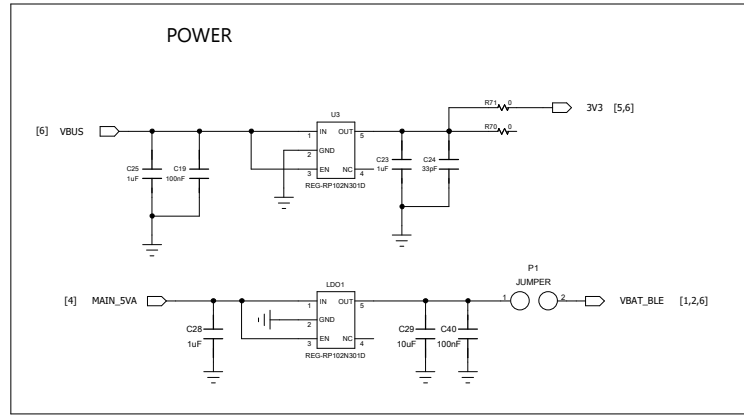
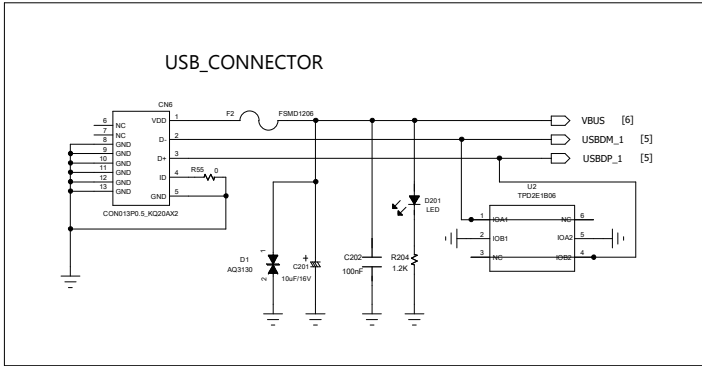


COMPANY: \_\_\_\_\_  
 TITLE: \_\_\_\_\_

DRAWN:	DATED:
CHECKED:	DATED:
QUALITY CONTROL:	DATED:
RELEASED:	DATED:

CODE:	SIZE:	DRAWING NO:	REV:
	A2	S9000SCM71171205	1.0
SCALE:		SHEET: 6 6	

REVISION RECORD			
LTR	ECO NO.	APPROVED:	DATE:



COMPANY: Dialog			
TITLE: DA16200+DA14531			
CODE:	SIZE:	DRAWING NO:	REV:
	A2	S9000SCM71171205	1.0
SCALE:			SHEET: 6 6

DRAWN:	DATED:
CHECKED:	DATED:
QUALITY CONTROL:	DATED:
RELEASED:	DATED:

D  
C  
B  
A