

A

B

C

D

E

F

1

1

2

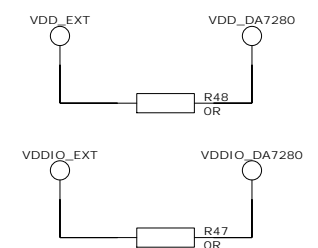
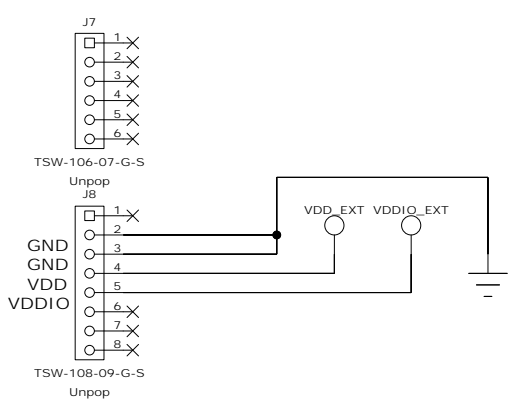
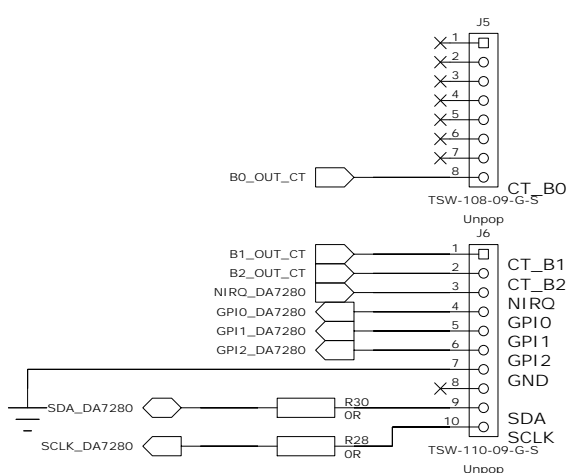
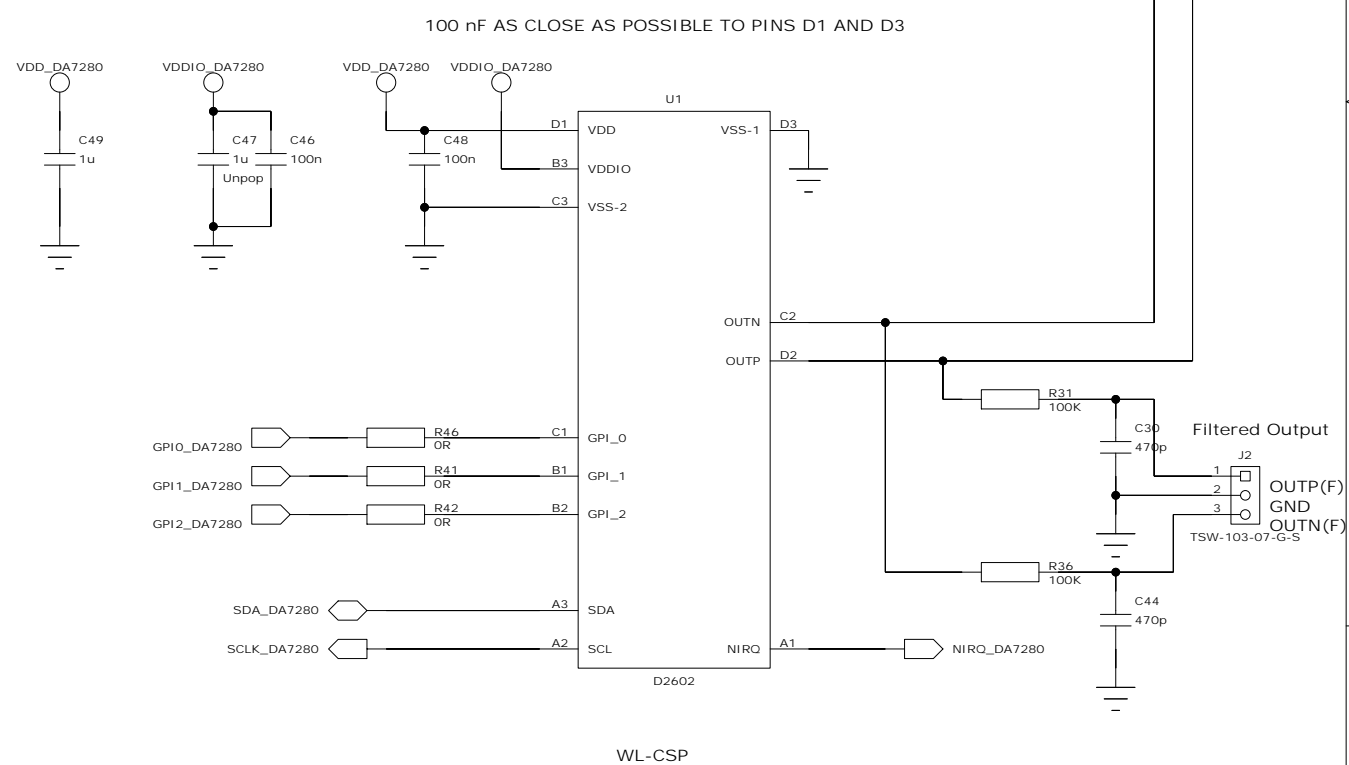
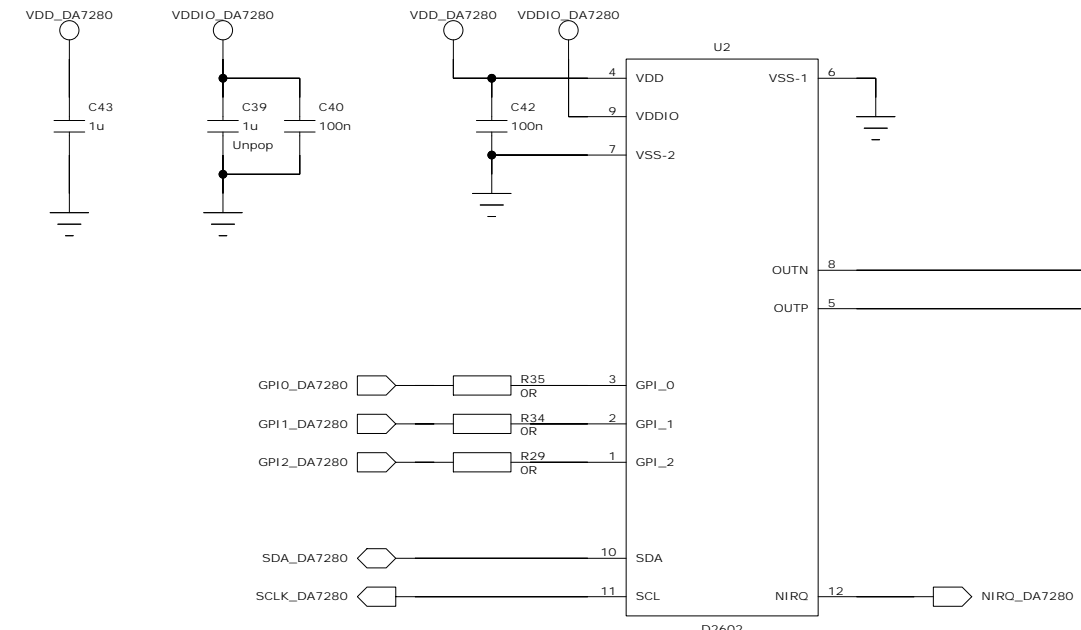
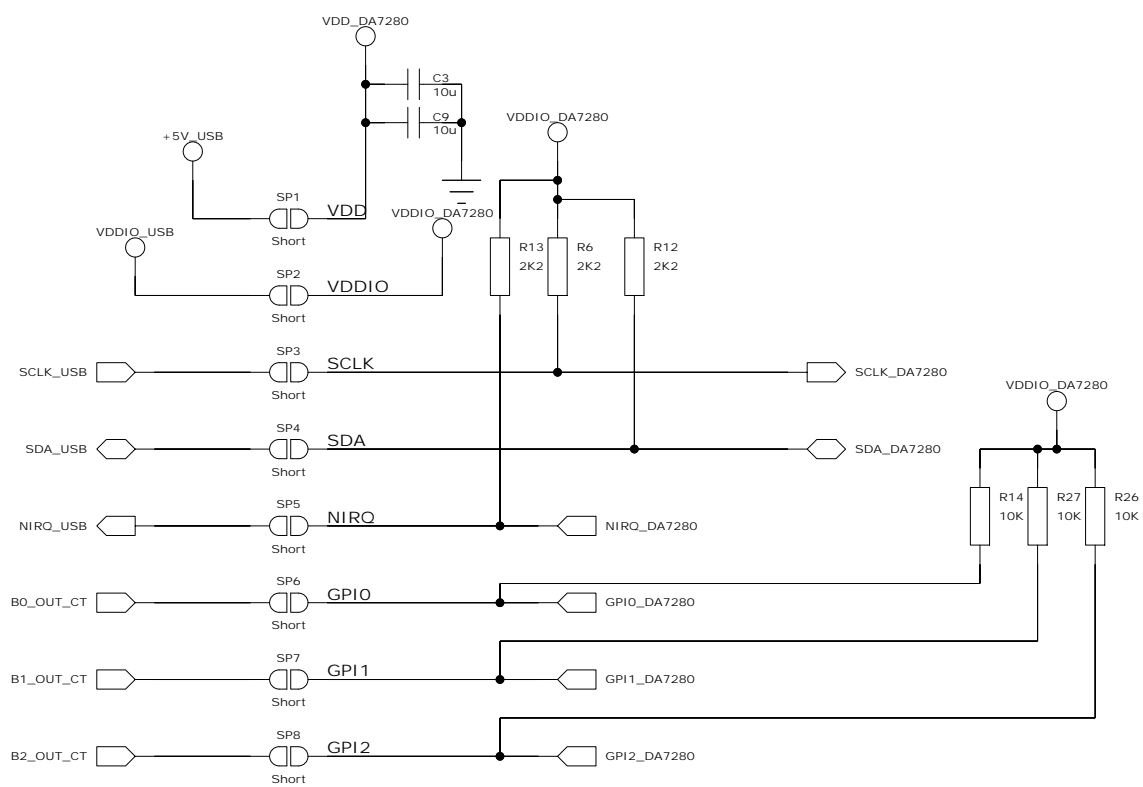
2

3

3

4

4



To fit Arduino Uno headers

SCHEMATIC TEMPLATE REV.xDxD\_V7 (01-06-2017)

DESIGNED BY:

REVIEWED BY:

CONFIDENTIAL INFORMATION

SIZE A3L

TITLE: DA7280 Performance Board

VARIANT: Master Sch no Var defined

359-02-B 1000

BOARD No: Sch Rev: Var No: Var Rev:

DRAWING No:

SHEET NAME: DUT

REVIEWED DATE: 14/12/2017

14/12/2017: 12: 21

REVIEWED DATE: 14/12/2017

PAGE: 1 of 5

dialog SEMICONDUCTOR

A

B

C

D

E

F

A

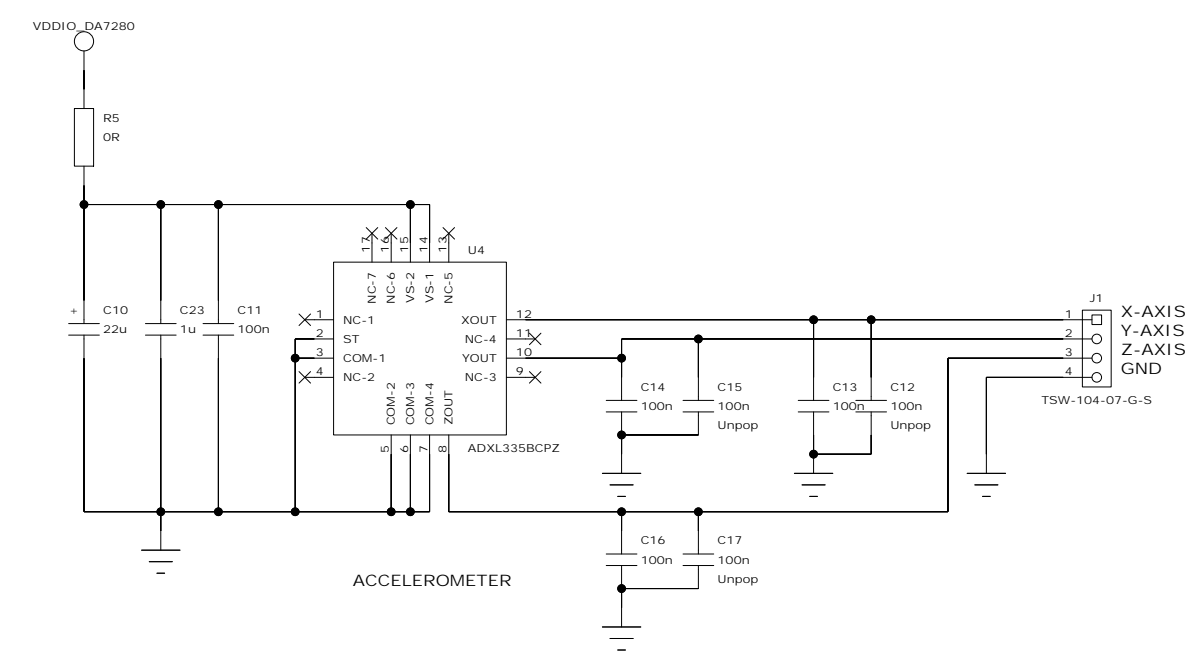
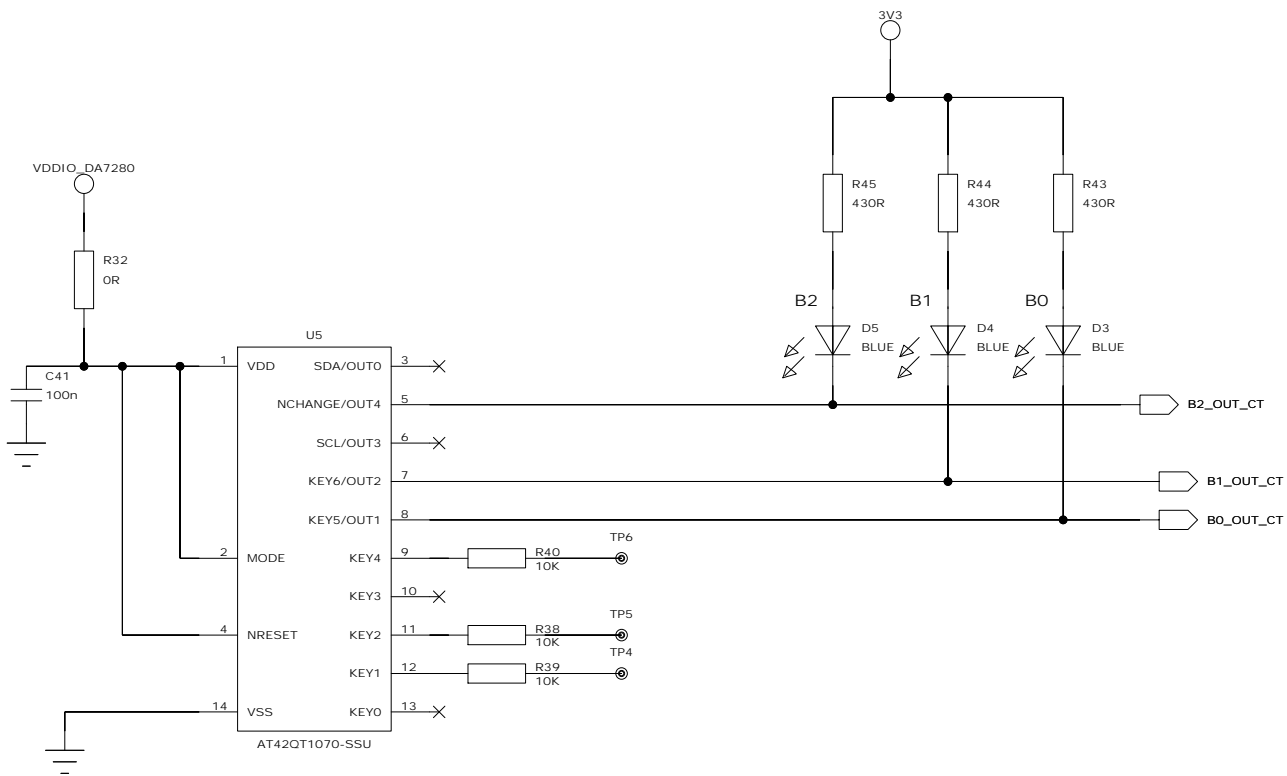
B

C

D

E

F



SCHEMATIC TEMPLATE REV.xDxD\_V7 (01-06-2017)

DESIGNED BY:

REVIEWED BY:

CONFIDENTIAL INFORMATION

SIZE A3L

TITLE: DA7280 Performance Board

VARIANT: Master Sch no Var defined

359-02-B 1000

BOARD No: Sch Rev: Variant: Var Rev:

SHEET NAME: CAP SENSE AND ACCEL

SAVED DATE: 14/12/2017: 12: 21

REVIEWED DATE: 14/12/2017

PAGE: 2 of 5

dialog SEMICONDUCTOR

A

B

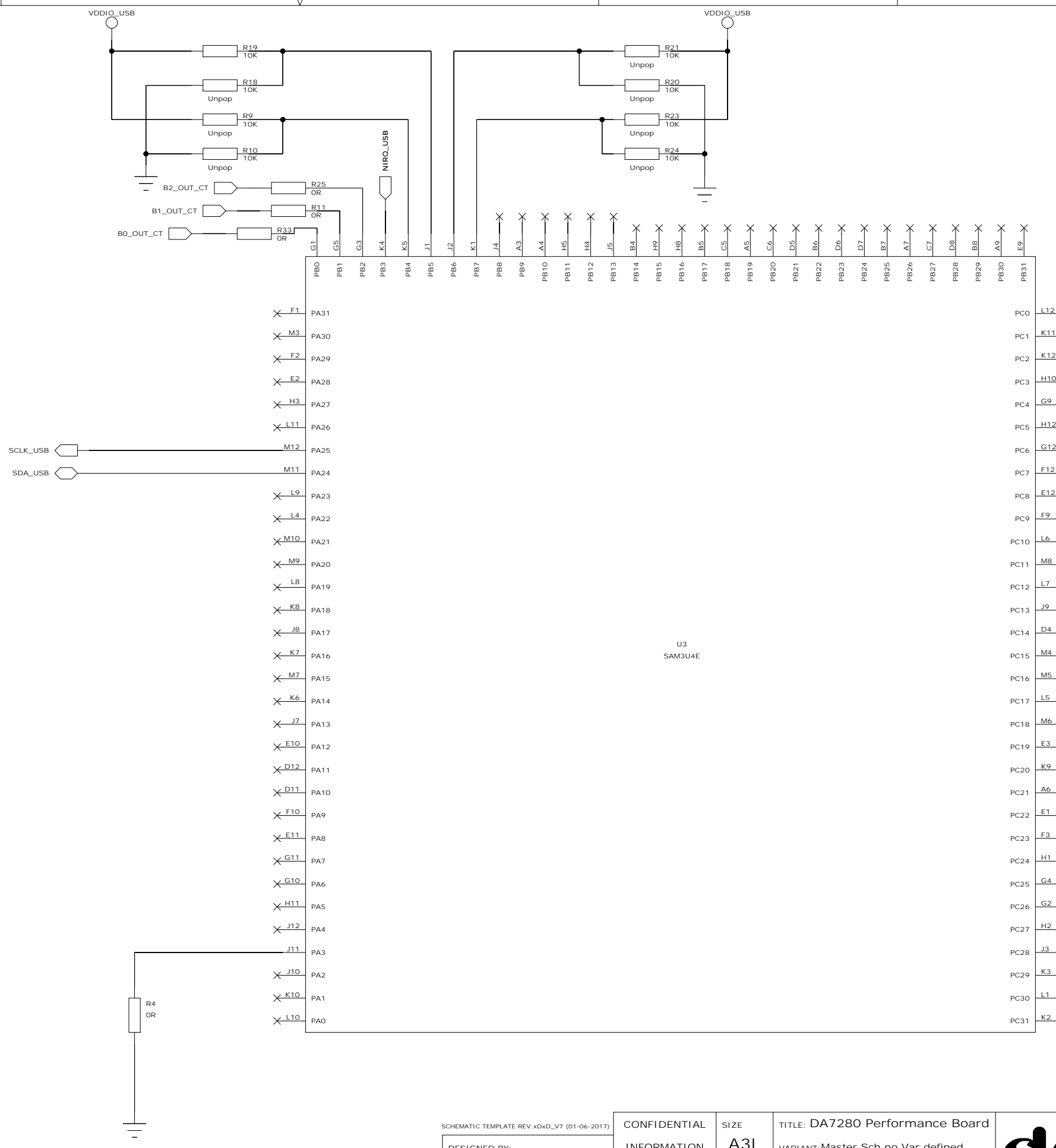
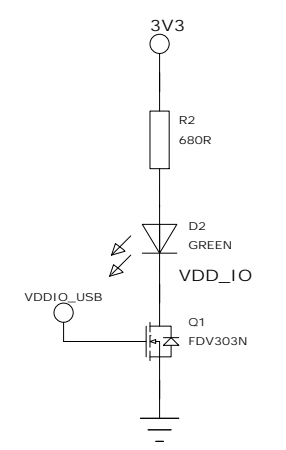
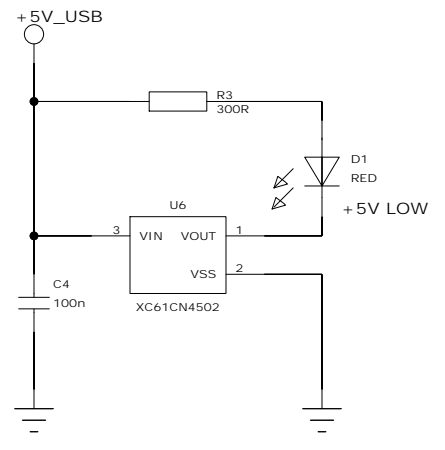
C

D

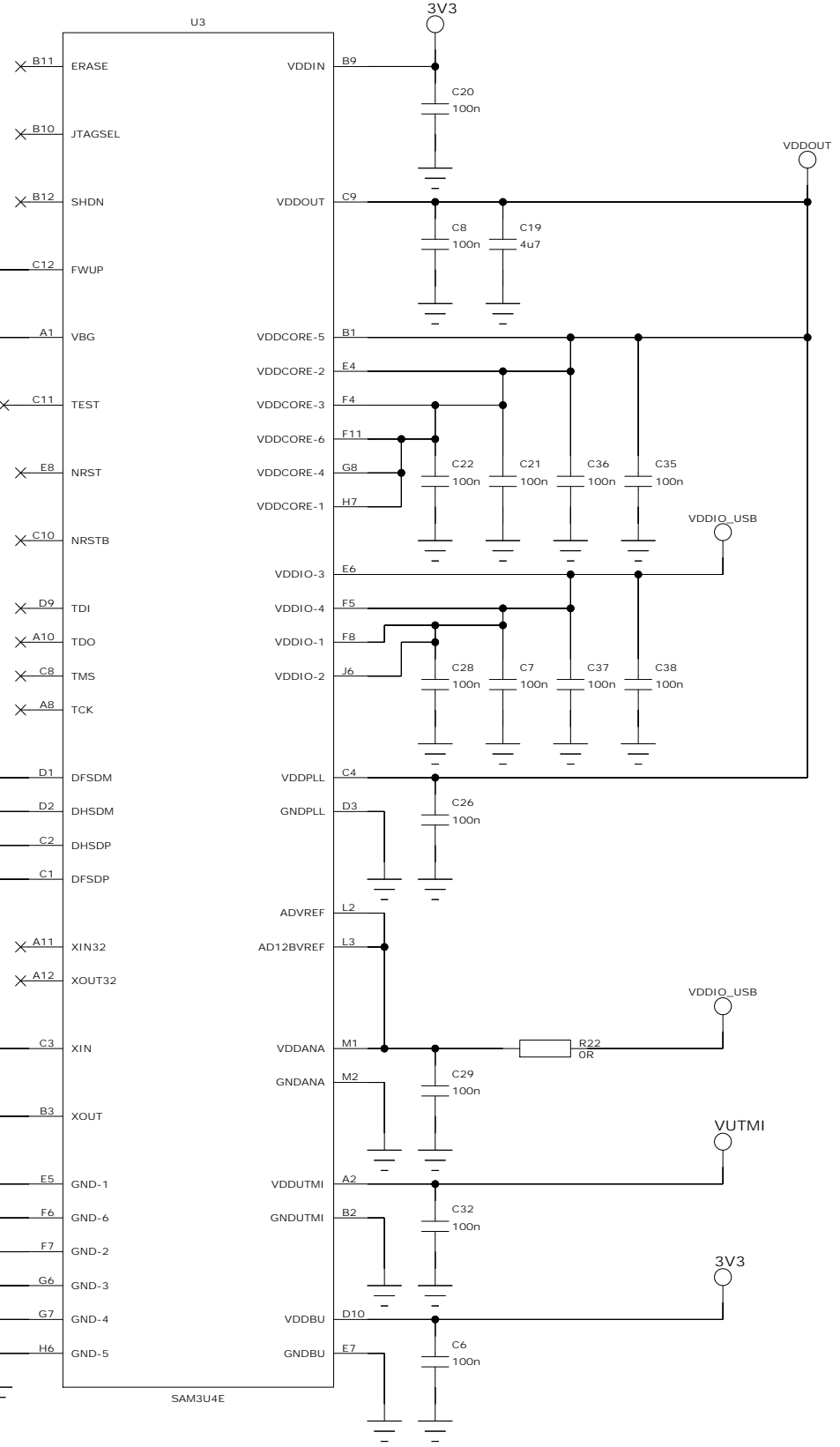
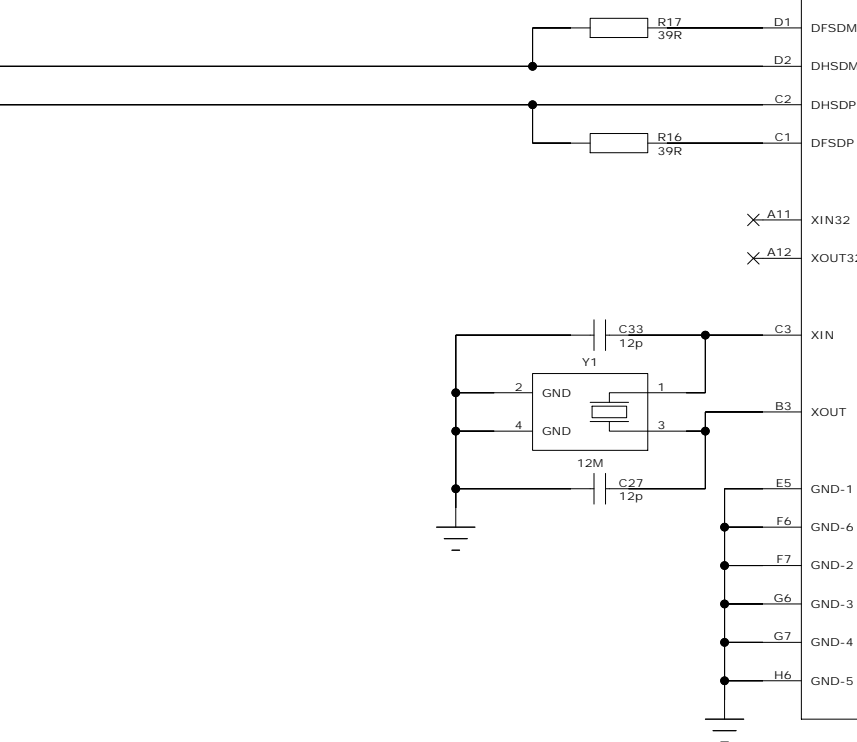
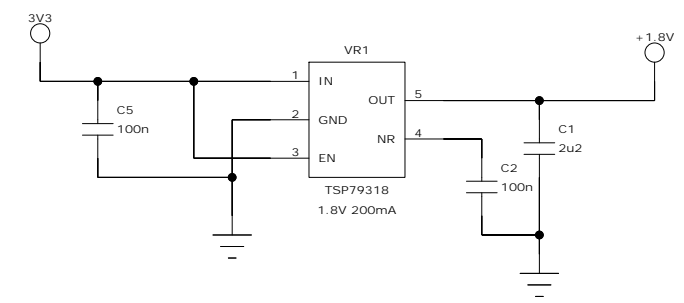
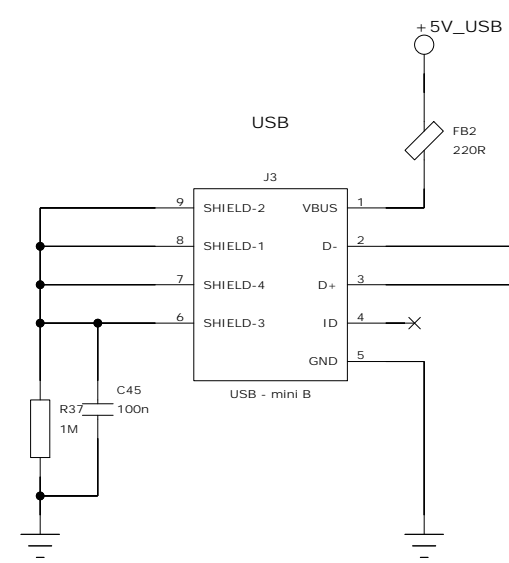
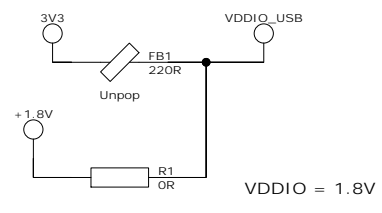
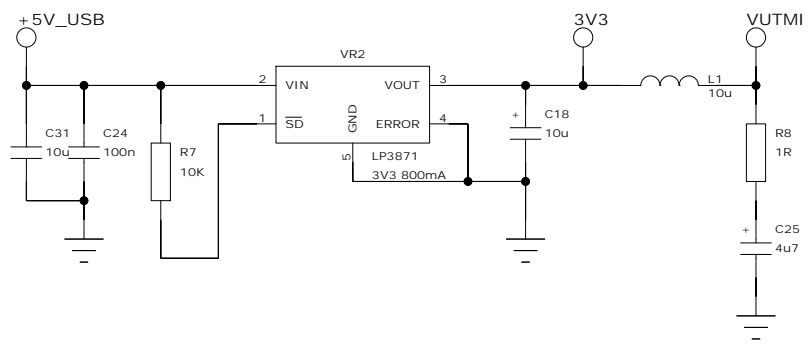
E

F

# SAM3U\_IOs



|  |  |                                   |      |                                    |  |              |
|--|--|-----------------------------------|------|------------------------------------|--|--------------|
| Schematic Template Rev: xDxD_V7 (01-06-2017) |  | CONFIDENTIAL                      | SIZE | TITLE: DA7280 Performance Board    |  |              |
| DESIGNED BY:                                 |  | INFORMATION                       | A3L  | VARIANT: Master Sch no Var defined |  |              |
| REVIEWED BY:                                 |  | SAVED DATE:<br>14/12/2017: 12: 21 |      | DRAWING No: 359-02-B 1000          |  | PAGE: 3 of 5 |
|  |  | REVIEWED DATE:<br>14/12/2017      |      | SHEET NAME: USB_IO                 |  |              |



|   |                    |             |  |                   |
|---|--------------------|-------------|--|-------------------|
| SCHEMATIC TEMPLATE REV.xDxD_V7 (01-06-2017) | CONFIDENTIAL       | SIZE        | TITLE: DA7280 Performance Board                              |                   |
|   | INFORMATION        | A3L         | VARIANT: Master Sch no Var defined                           |                   |
| DESIGNED BY:                                | SAVED DATE:        |             | 359-02-B 1000  | DRAWING No: _____ |
|   | 14/12/2017: 12: 21 |             | BOARD No: _____ Sch Rev: _____ Variant: _____ Var Rev: _____ |                   |
| REVIEWED BY:                                | REVIEWED DATE:     | SHEET NAME: |  | PAGE: of          |
|   | 14/12/2017         | USB_IF      |  | 4 5               |

A

B

C

D

E

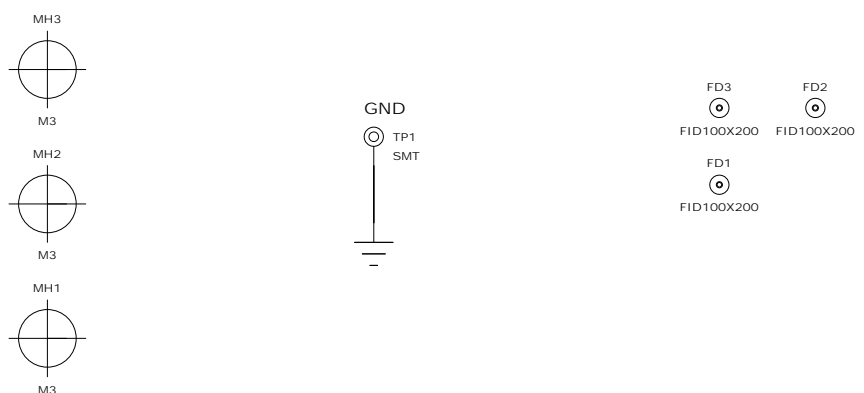
F

# REVISION TABLE

| REV.  | DATE       | ENGINEER | NOTES                 |
|-------|------------|----------|-----------------------|
| B1000 | 14/12/2017 | CM/MG    | Manufactured version. |
|       |            |          |                       |
|       |            |          |                       |
|       |            |          |                       |
|       |            |          |                       |
|       |            |          |                       |
|       |            |          |                       |
|       |            |          |                       |
|       |            |          |                       |
|       |            |          |                       |
|       |            |          |                       |
|       |            |          |                       |
|       |            |          |                       |
|       |            |          |                       |
|       |            |          |                       |
|       |            |          |                       |
|       |            |          |                       |
|       |            |          |                       |
|       |            |          |                       |

# MECHANICAL PARTS

# MECHANICAL



|   |              |   |                      |   |  |
|---|--------------|---|----------------------|---|--|
| SCHEMATIC TEMPLATE REV.xDxD_V7 (01-06-2017) |              | CONFIDENTIAL INFORMATION  | SIZE<br>A3L          | TITLE: DA7280 Performance Board<br>VARIANT: Master Sch no Var defined |  |
| DESIGNED BY:                                | REVIEWED BY: | SAVED DATE: 14/12/2017: 12: 26<br>DRAWING No: 359-02-B 1000<br><small>BOARD No: Sch Rev: Variant: Var Rev</small> |                      | PAGE: 5 of 5  |  |
|   |              | REVIEWED DATE: 14/12/2017   | SHEET NAME: REVISION |   |  |

A

B

C

D

E

F