

# Application Note

## Self-Powered Solar Tracking Sensor

AN-CM-252

### Abstract

*The application note will present the design of a simple self-powered solar tracking sensor circuit based upon the Dialog Semiconductors products, i.e. the Dialog Semiconductors operational amplifier. The circuitry uses only the energy obtained from the photodetectors, i.e. the sensors. This application note comes complete with design files which can be found in the References section.*

---

---

## Self-Powered Solar Tracking Sensor

### Contents

Abstract.....	1
Contents.....	2
Figures.....	2
1 Terms and Definitions.....	3
2 References.....	3
3 Introduction.....	4
4 The Sensor Circuitry.....	4
5 Realization with SLG88103 Operational Amplifiers.....	6
6 Example Implementation.....	8
7 Conclusion.....	10
Revision History.....	11

### Figures

Figure 1: Schematic of the Simple Self-Powered Solar Tracking Sensor Circuitry.....	5
Figure 2: Measurement of the Position of the Sun with Respect to the Sensor.....	6
Figure 3: Schematic of the Simulated Circuitry.....	7
Figure 4: Simulation Results of the Proposed Circuitry.....	8
Figure 5: Photo of the Test Board Together with the Sensor.....	9
Figure 6: Transfer Function of the Sensor Circuitry.....	10

---

## Self-Powered Solar Tracking Sensor

---

### 1 Terms and Definitions

OP, OpAmp	Operational Amplifier
PD	Photodiode

### 2 References

For related documents and software, please visit:

<https://www.dialog-semiconductor.com/configurable-mixed-signal>.

Download our free [GreenPAK Designer software](#) [1] to view the proposed circuit design. Use the [GreenPAK development tools](#) [2] to freeze the design into your own customized IC in a matter of minutes. Dialog Semiconductor provides a complete library of application notes [3] featuring design examples as well as explanations of features and blocks within the Dialog IC.

- [1] [GreenPAK Designer Software](#), Software Download and User Guide, Dialog Semiconductor
- [2] [GreenPAK Development Tools](#), [GreenPAK Development Tools Webpage](#), Dialog Semiconductor
- [3] [GreenPAK Application Notes](#), [GreenPAK Application Notes Webpage](#), Dialog Semiconductor
- [4] SLG88103/4 Rail to Rail I/O 375 nA/Amp Dual/Quad CMOS Op Amps with Power Down, Datasheet, Dialog Semiconductor
- [5] BPW 34 B Silicon PIN Photodiode with Enhanced Blue Sensitivity; in SMT Version 1.6, Datasheet, OSRAM Opto Semiconductors

## Self-Powered Solar Tracking Sensor

### 3 Introduction

This application note will present the possibility of designing a simple self-powered solar tracking sensor circuit using a Dialog Semiconductor SLG88103 operational amplifier. The complete circuitry is self-powered, since it uses only the power obtained from the photodetectors. There is no need for an additional external power supply. The photodetectors are arranged so that they can sense the direction of solar irradiance. Based upon the signal processing circuitry at the outputs, two highly sensitive voltage signals are generated. These signals correspond to the pitch and roll angles of the sun with respect to the photodiodes. The circuitry has an inherent automatic gain control. Therefore, the output signals are only proportional to these angles and not to the solar irradiation level.

### 4 The Sensor Circuitry

The schematic of the proposed simple self-powered solar tracking sensor circuitry is presented in [Figure 1](#). Processing the signals from the photodetectors requires only two operational amplifiers and several resistors. Additionally, as the photodetectors (photodiodes PDYU1, PDYU2, PDYD1, PDYD2, PDXR1, PDXR2, PDXL1, and PDXL2) work in the photovoltaic mode the generated power is significant enough to power the op-amps. Both the X and Y direction use four photodiodes (PDYU1, PDYU2, PDYD1, and PDYD2) connected in series to power on the operational amplifiers OP1 and OP2. The corresponding voltages, obtained at the photodiodes when in photovoltaic mode, are given by:

$$V_i = V_T \ln\left(\frac{\mathfrak{R}P_i}{I_S}\right) \quad (1)$$

where  $V_i$  is the corresponding i-th ( $i = YU1, YU2, YD1, YD2, XR1, XR2, XL1, \text{ and } XL2$ ) photodiode voltage,  $V_T$  is the thermal voltage given by  $V_T = k_B T / q$  where  $k_B = 1.38 \times 10^{-23} \text{ J/K}$  is the Boltzmann constant,  $T$  is the absolute temperature,  $q = 1.602 \times 10^{-19} \text{ C}$  is the elementary charge,  $\mathfrak{R}$  is the photodiode responsivity,  $P_i$  is the i-th photodiode captured optical power, and  $I_S$  is the photodiode saturation current.

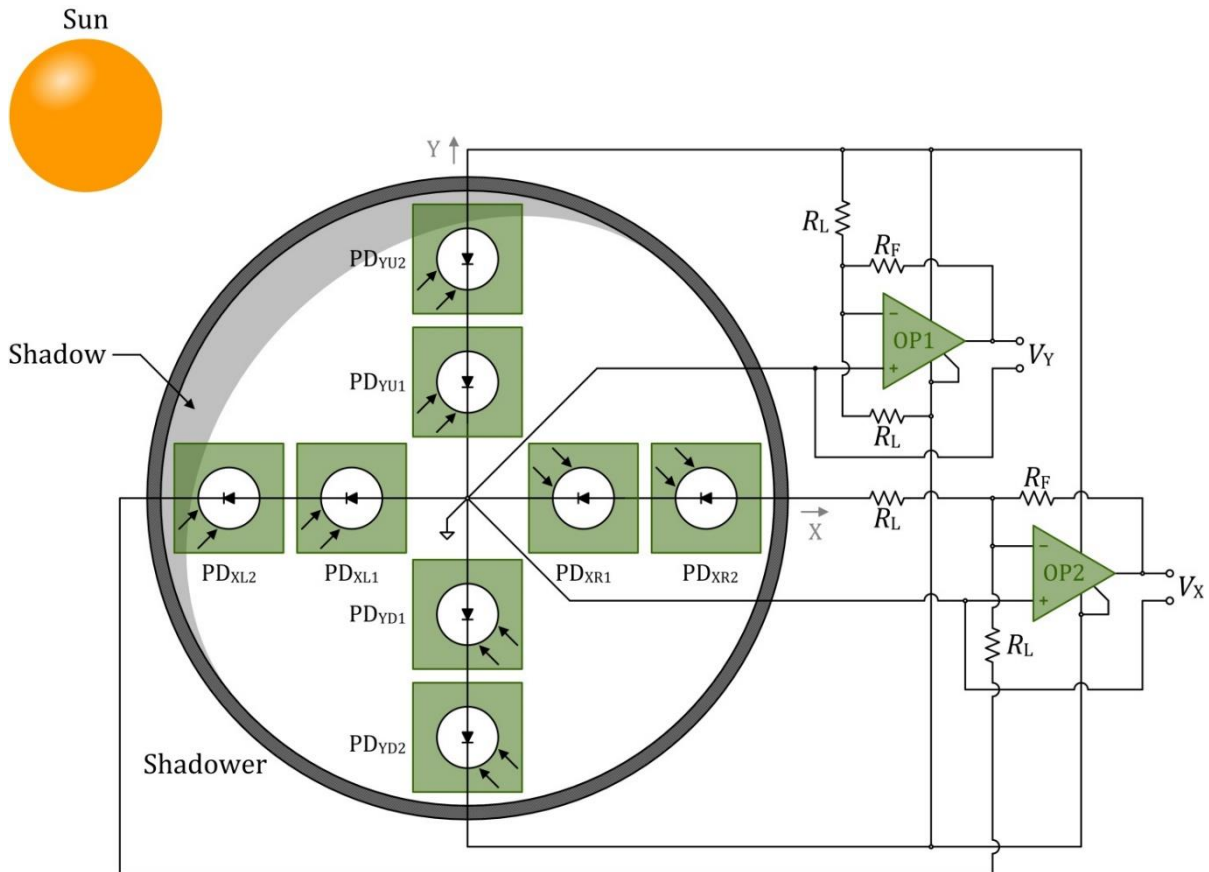
To keep photodiodes in the photovoltaic mode they must be connected to the high impedance nodes, thus requiring high values of the resistance  $R_L$ . The corresponding photodiode-captured optical power depends upon the shadow position within the enclosure, i.e. it depends on the shadow distribution over the active photodiode surface. This is presented in [Figure 1](#). The actively-illuminated area on the photodiodes' surface depends upon the pitch and roll angles of the sun with respect to the photodiodes, as presented in [Figure 2](#). This is, naturally, valid only for the photodiodes that are shadowed by the enclosure. For example, if the Sun illuminates the sensor from the first quadrant, shown in [Figure 2](#), only photodiodes PDYU2 and PDXR2 will be in the shadow and their corresponding illuminated area will be:

$$A_{XR2} = A - K\xi \quad (2.1)$$

$$A_{YU2} = A - K\psi \quad (2.2)$$

where small pitch  $\xi$  and roll  $\psi$  angles were assumed ( $\xi, \psi \ll 1$ ) thus giving, in the first approximation, the linear dependence of the illuminated photodiode area with respect to the corresponding angles, where  $A$  is the area of the photodiode active surface,  $K$  is the positive proportionality constant that depends on the sensor geometry, and where  $A \gg K\xi, K\psi$  is also valid.

## Self-Powered Solar Tracking Sensor



**Figure 1: Schematic of the Simple Self-Powered Solar Tracking Sensor Circuitry**

The corresponding photodiode voltages  $V_i$  according to equation (1) are given by:

$$V_{XR2} = V_T \ln\left(\frac{\mathfrak{R}EA_{XR2}}{I_S}\right) \quad (3.1)$$

$$V_{XR1} = V_{XL1} = V_{XL2} = V_T \ln\left(\frac{\mathfrak{R}EA}{I_S}\right) \quad (3.2)$$

$$V_{YU2} = V_T \ln\left(\frac{\mathfrak{R}EA_{YU2}}{I_S}\right) \quad (3.3)$$

$$V_{YU1} = V_{YD1} = V_{YD2} = V_T \ln\left(\frac{\mathfrak{R}EA}{I_S}\right) \quad (3.4)$$

where  $E$  is the solar irradiance. The output voltages  $V_X$  and  $V_Y$  are given as:

$$V_X = -\frac{R_F}{R_L}(V_{XR2} + V_{XR1} - V_{XL2} - V_{XL1}) \quad (4.1)$$

$$V_Y = -\frac{R_F}{R_L}(V_{YU2} + V_{YU1} - V_{YD2} - V_{YD1}) \quad (4.2)$$

where  $R_F$  is the feedback resistor resistance. Equations (2), (3), and (4) give:

$$V_X = -\frac{R_F}{R_L} V_T \ln\left(1 - \frac{K\xi}{A}\right) \approx \frac{R_F K}{R_L A} V_T \xi = S\xi \quad (5.1)$$

$$V_Y = -\frac{R_F}{R_L} V_T \ln\left(1 - \frac{K\psi}{A}\right) \approx \frac{R_F K}{R_L A} V_T \psi = S\psi \quad (5.2)$$

In the first approximation the output voltage signals  $V_X$  and  $V_Y$  are directly proportional to the pitch and roll angles with sensor sensitivity  $S$ . As the output signals are independent of the solar irradiance the circuitry has an inherent automatic gain control.

## Self-Powered Solar Tracking Sensor

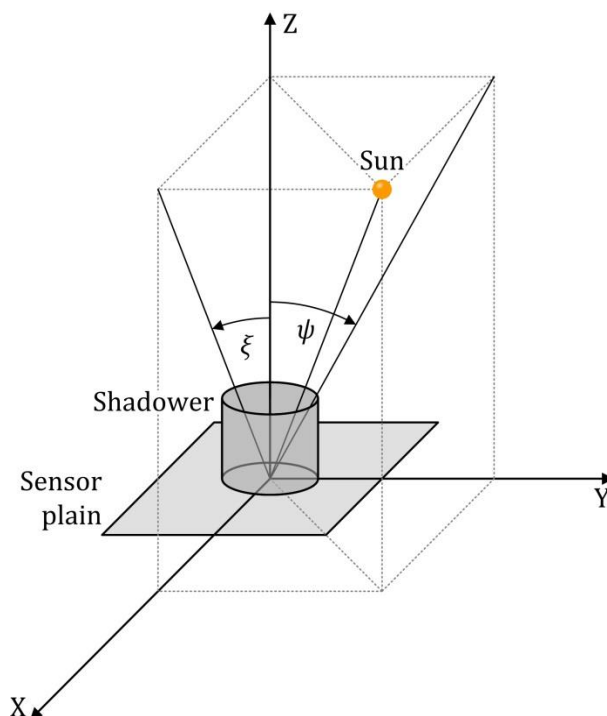


Figure 2: Measurement of the Position of the Sun with Respect to the Sensor

## 5 Realization with SLG88103 Operational Amplifiers

The realization of a simple self-powered solar tracking sensor circuitry will be based on the extremely low-power characteristics of the SLG88103 operational amplifiers [4]. To test the proposed circuitry a simulation in LTspice has been performed. The simulated circuitry, only for a single axis, has been presented in Figure 3. The system circuitry consists of two such sub circuitries, each aimed for sensing a single axis position of the sun. As the photodetectors, four BPW34 photodiodes from OSRAM Opto Semiconductors have been used in the simulation due to their relatively large sensing area of  $7.45 \text{ mm}^2$  ( $2.73 \text{ mm} \times 2.73 \text{ mm}$ ). The spice model of the photodiodes is provided by Opto Semiconductors as well [5].

Self-Powered Solar Tracking Sensor

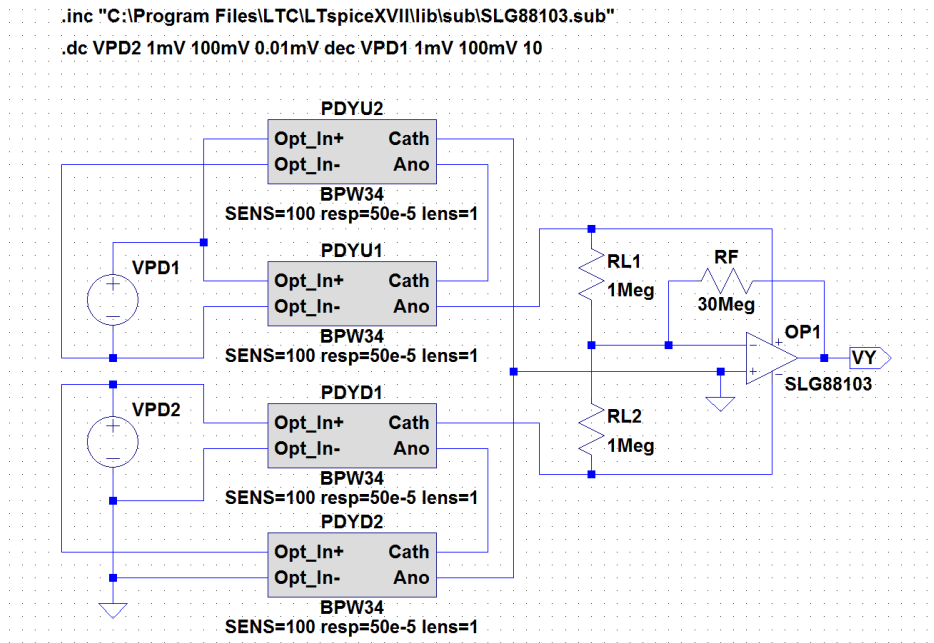
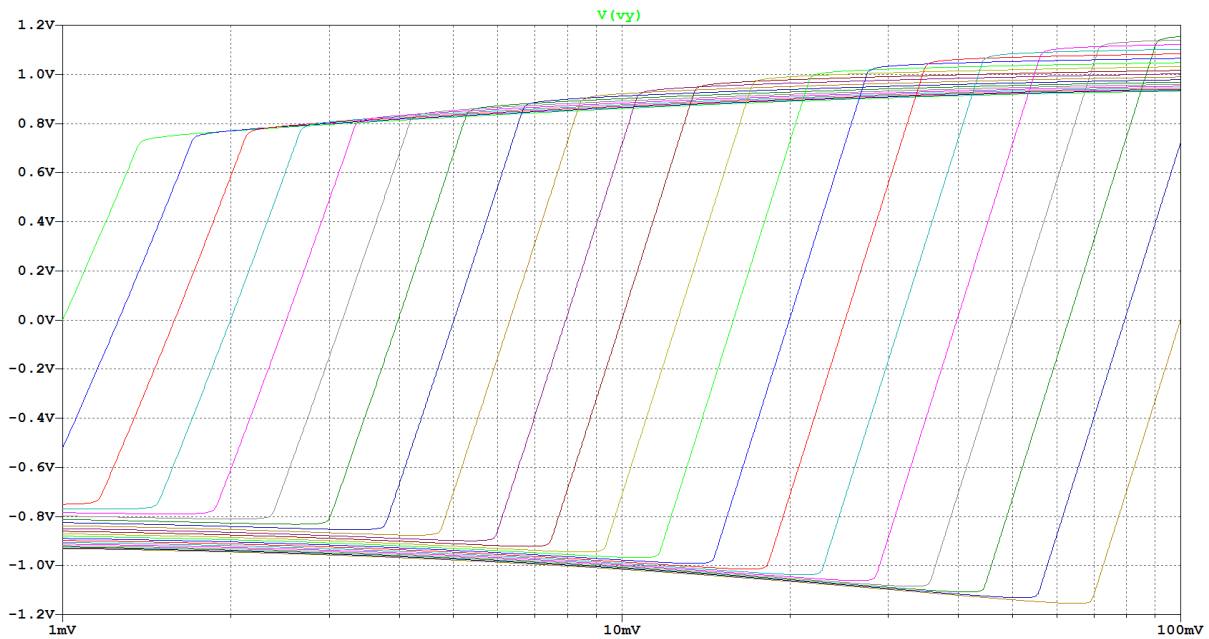


Figure 3: Schematic of the Simulated Circuitry

The solar irradiance has been modeled by two voltage sources VPD1 and VPD2, where the voltage in millivolts (mV) corresponds to the solar irradiance in mW/ cm<sup>2</sup>. The solar irradiance was swept within the range of 1 mW/ cm<sup>2</sup> (1 mV) and 100 mW/cm<sup>2</sup>, (100 mV), wherein 100 mW/cm<sup>2</sup> also represents the maximal possible value of the solar irradiance. As mentioned above, if the angle between the sensor surface and the Sun is not perpendicular, i.e. the pitch and roll angles are not equal to zero, due to intentional partial-shading of the photodiodes, there will be an unequal distribution of the irradiance at the photodiode surface. The unequal distribution of the solar radiation over the photodiode surfaces has been modeled with the different values of the solar irradiance, i.e. with the different values of the voltage sources VPD1 and VPD2. The corresponding simulation results are presented in Figure 4.

The conclusion, which can be drawn from the simulation results, is that the circuitry is highly sensitive to the change in the solar illumination direction, which correlates to the change of the corresponding voltages of the voltage sources VPD1 and VPD2. The important characteristic of the proposed design is that the sensor sensitivity doesn't depend on the overall illumination of the sun, provided the rail-to-rail voltage of the op-amp is greater than 1.71 V. This can be concluded from the same slopes of the sensor response in the logarithmic scale. Therefore, the sensor has inherent gain control, which is a very important feature of this sensor circuitry, especially if it has been used in the control loop where the overall system stability is of the paramount importance. The same sensor sensitivity for a broad range of the solar irradiances leads to the very simple design of the control loop.

## Self-Powered Solar Tracking Sensor



**Figure 4: Simulation Results of the Proposed Circuitry**

The photodiode shunt resistance  $R_{SH}$  is given as:

$$R_{SH} = \frac{V_T}{\mathfrak{R}AE} \quad (6)$$

which, in the case of the BPW34 photodiode, with  $\mathfrak{R} = 0.5 \text{ A/W}$ ,  $A = 7.45 \text{ mm}^2$  and the minimum solar irradiance of  $E = 1 \text{ mW/cm}^2$ , gives the maximum value of the photodiode shunt resistance of  $R_{SH} \approx 670 \Omega$ . To operate in the photovoltaic mode the shunt resistance of the photodiode must be much smaller than the load resistance of the photodiode, i.e. must be fulfilled  $R_{SH} \ll R_L$ . By choosing  $R_L = 1 \text{ M}\Omega$  this condition is certainly fulfilled. The value for the feedback resistance  $R_F$  can be arbitrarily chosen to obtain the desired sensitivity. In this application the value of  $R_F = 30 \text{ M}\Omega$  was chosen.

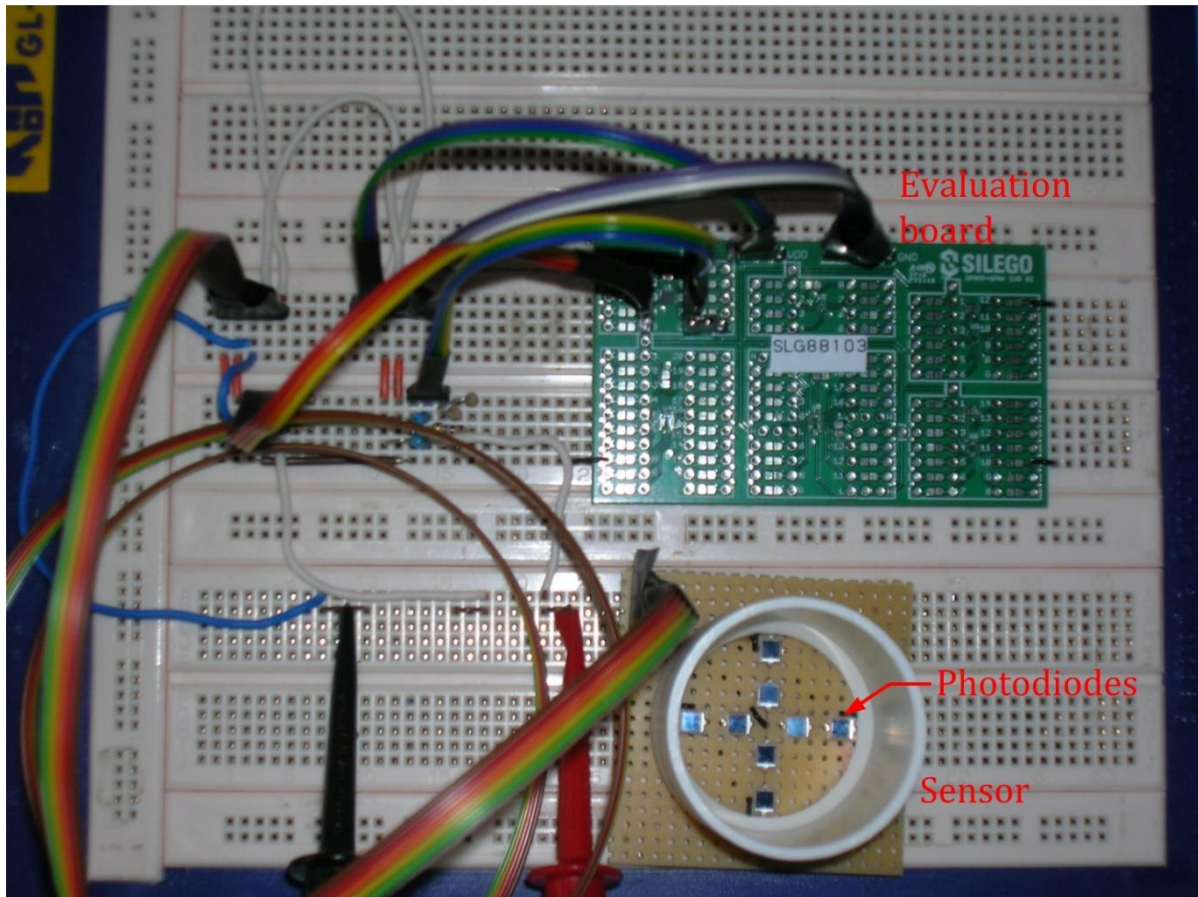
According to the simulated results in [Figure 4](#), the maximum output voltage is in the range of  $V_{X,Y_{MAX}} \approx 1 \text{ V}$ . Therefore, the current that flows through the feedback resistor and thus through the load resistors is smaller than  $I_{F_{MAX}} = V_{X,Y_{MAX}}/R_F \approx 33 \text{ nA}$ , which is much smaller than the operational amplifier quiescent current of  $I_Q = 375 \text{ nA}$ . The operational amplifier quiescent current must fulfill the condition  $I_Q \ll \mathfrak{R}AE$  to enable the simultaneous work of the photodiode in the photovoltaic mode and proper biasing the operational amplifiers. Since  $\mathfrak{R}AE \approx 37 \mu\text{A}$  for the minimum solar irradiance of  $E = 1 \text{ mW/cm}^2$  this condition is also fulfilled.

## 6 Example Implementation

Using an evaluation board for the SLG88103 operational amplifiers and photodiodes the test circuitry was created. The photo of the proto-board realized circuitry, together with the photodiode-based sensor, is shown in [Figure 5](#). The cylinder, i.e. the shadower, is fixed onto the sensor board in order to form the shadow when illuminated by the Sun. The cylinder dimensions can be chosen with regard to the sensor sensitivity and the required measurement range. The sensor that was used in this application note has a shadower of the cylindrical shape with the inner diameter of the cylinder of 38 mm and the height of the cylinder of 35 mm.



## Self-Powered Solar Tracking Sensor



**Figure 5: Photo of the Test Board Together with the Sensor**

In order to determine the overall sensor circuitry transfer function, the sensor was mounted on a platform, whose tilt angles can be varied. The sensor was directed toward the Sun and by controlling the tilt angles, i.e. the pitch and roll angles of the platform, both voltages  $V_X$  and  $V_Y$  were adjusted to be as close as possible to zero. Then, by changing the corresponding tilt angles of the platform, the pitch and roll angles of the sensor were changed with respect to the Sun in the range from  $-5^\circ$  to  $+5^\circ$  while simultaneously measuring the output voltages. The transfer function of the sensor circuitry is presented in [Figure 6](#). Based on the measured data set it was estimated that the sensor sensitivity is approximately  $S \approx 56 \text{ mV}/^\circ$ .

## Self-Powered Solar Tracking Sensor

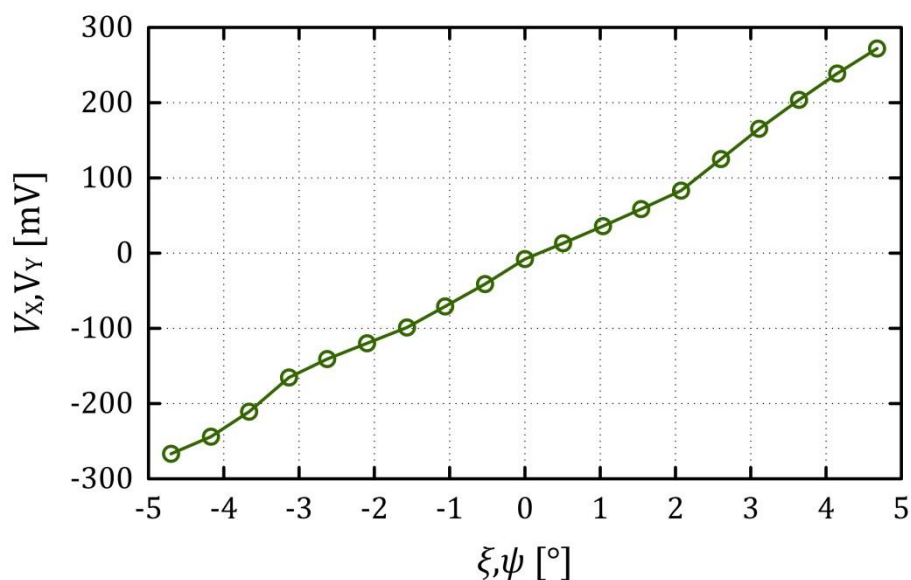


Figure 6: Transfer Function of the Sensor Circuitry

## 7 Conclusion

Solar tracking sensor has a very important role in many solar power systems (photovoltaic systems) to increase the overall system efficiency. In order to direct the solar panels toward the Sun a control loop, using the signals obtained from the solar tracking sensor, rotates the panels toward the Sun. Therefore, a simple, reliable (without additional power supply), and cost-effective sensor, as presented in this application, will improve the characteristics of the solar power system.

The presented self-powered solar tracking sensor circuitry can be tested with different combinations of photodetectors and shadowing geometries to achieve characteristics that can better fit into the end user requirements.

---

**Self-Powered Solar Tracking Sensor**

**Revision History**

<b>Revision</b>	<b>Date</b>	<b>Description</b>
1.0	16-Aug-2018	Initial Version

## Self-Powered Solar Tracking Sensor

### Status Definitions

Status	Definition
DRAFT	The content of this document is under review and subject to formal approval, which may result in modifications or additions.
APPROVED or unmarked	The content of this document has been approved for publication.

### Disclaimer

Information in this document is believed to be accurate and reliable. However, Dialog Semiconductor does not give any representations or warranties, expressed or implied, as to the accuracy or completeness of such information. Dialog Semiconductor furthermore takes no responsibility whatsoever for the content in this document if provided by any information source outside of Dialog Semiconductor.

Dialog Semiconductor reserves the right to change without notice the information published in this document, including without limitation the specification and the design of the related semiconductor products, software and applications.

Applications, software, and semiconductor products described in this document are for illustrative purposes only. Dialog Semiconductor makes no representation or warranty that such applications, software and semiconductor products will be suitable for the specified use without further testing or modification. Unless otherwise agreed in writing, such testing or modification is the sole responsibility of the customer and Dialog Semiconductor excludes all liability in this respect.

Customer notes that nothing in this document may be construed as a license for customer to use the Dialog Semiconductor products, software and applications referred to in this document. Such license must be separately sought by customer with Dialog Semiconductor.

All use of Dialog Semiconductor products, software and applications referred to in this document are subject to Dialog Semiconductor's [Standard Terms and Conditions of Sale](#), available on the company website ([www.dialog-semiconductor.com](http://www.dialog-semiconductor.com)) unless otherwise stated.

Dialog and the Dialog logo are trademarks of Dialog Semiconductor plc or its subsidiaries. All other product or service names are the property of their respective owners.

© 2018 Dialog Semiconductor. All rights reserved.

## Contacting Dialog Semiconductor

### United Kingdom (Headquarters)

*Dialog Semiconductor (UK) LTD*  
Phone: +44 1793 757700

### Germany

*Dialog Semiconductor GmbH*  
Phone: +49 7021 805-0

### The Netherlands

*Dialog Semiconductor B.V.*  
Phone: +31 73 640 8822

### Email:

enquiry@diasemi.com

### North America

*Dialog Semiconductor Inc.*  
Phone: +1 408 845 8500

### Japan

*Dialog Semiconductor K. K.*  
Phone: +81 3 5769 5100

### Taiwan

*Dialog Semiconductor Taiwan*  
Phone: +886 281 786 222

### Web site:

[www.dialog-semiconductor.com](http://www.dialog-semiconductor.com)

### Hong Kong

*Dialog Semiconductor Hong Kong*  
Phone: +852 2607 4271

### Korea

*Dialog Semiconductor Korea*  
Phone: +82 2 3469 8200

### China (Shenzhen)

*Dialog Semiconductor China*  
Phone: +86 755 2981 3669

### China (Shanghai)

*Dialog Semiconductor China*  
Phone: +86 21 5424 9058