

Application Note

Random Pulse Width Modulation for Three-Phase Inverter Applications

AN-CM-257

Abstract

Conventional Pulse Width Modulation (PWM) methods for driving three phase inverters have been found to produce some undesirable effects in industrial applications like the production of acoustic noise, radio interference, and mechanical vibration. Traditionally, these problems are solved by employing separate filters that can filter out the predetermined harmonic content and mitigate electromagnetic interference. In such applications, Random Pulse Width Modulation (RPWM) has been found much more effective than traditional methods as it inherently spreads the harmonic content over a wide range hence reducing the unwanted effects in three phase inverter fed systems. This application note provides details of RPWM signal generation for driving three phase inverters using the SLG46620 CMIC.

This application note comes complete with design files which can be found in the References section.

Random Pulse Width Modulation for Three-Phase Inverter Applications

Contents

Abstract 1

Contents 2

Figures..... 2

1 Terms and Definitions..... 3

2 References 3

3 Introduction..... 4

4 Proposed RPWM Scheme..... 5

 4.1 Selection of Reference Value 6

5 GreenPAK Design 7

6 Experimental Results..... 9

7 Conclusions..... 12

Revision History 13

Figures

Figure 1: Block Diagram of the Proposed Scheme 5

Figure 2: Simulated Signal Waveforms at Several Stages in the RPWM Scheme..... 6

Figure 3: Simulated Output Phase-Phase Voltage Waveforms 6

Figure 4: Variation in Frequency Spectrum with Change in Reference Value..... 7

Figure 5: Role of SLG46620 in the RPWM Scheme 7

Figure 6: Design Matrix 0 8

Figure 7: Design Matrix 1 8

Figure 8: Prototype Hardware 10

Figure 9: Magnified Phase-Phase Output Voltage Waveform 10

Figure 10: V_{ab} , V_{ac} and FFT for Reference Value 0.8..... 11

Figure 11: V_{ab} , V_{ac} and FFT for Reference Value 0.5..... 11

Random Pulse Width Modulation for Three-Phase Inverter Applications

1 Terms and Definitions

CMIC	Configurable Mixed-signal Integrated Circuit
DSP	Digital Signal Processor
EMI	Electromagnetic Interference
FPGA	Field Programmable Gate Array
LFSR	Linear Feedback shift register
PRBS	Pseudo Random Bit Sequence
PWM	Pulse Width Modulation
RPWM	Random Pulse Width Modulation
THD	Total Harmonic Distortion

2 References

For related documents and software, please visit:

<https://www.dialog-semiconductor.com/configurable-mixed-signal>.

Download our free GreenPAK Designer software [1] to open the .gp files [2] and view the proposed circuit design. Use the GreenPAK development tools [3] to freeze the design into your own customized IC in a matter of minutes. Dialog Semiconductor provides a complete library of application notes [4] featuring design examples as well as explanations of features and blocks within the Dialog IC.

- [1] [GreenPAK Designer Software](#), Software Download and User Guide, Dialog Semiconductor
- [2] [AN-CM-257 Random Pulse Width Modulation for Three-Phase Inverter Applications.gp](#), GreenPAK Design File, Dialog Semiconductor
- [3] [GreenPAK Development Tools](#), GreenPAK Development Tools Webpage, Dialog Semiconductor
- [4] [GreenPAK Application Notes](#), GreenPAK Application Notes Webpage, Dialog Semiconductor
- [5] SLG46620 Datasheet, Datasheet, Dialog Semiconductor
- [6] Bhattacharya, Subhadeep, et al. "A discrete random PWM technique for acoustic noise reduction in electric traction drives." Energy Conversion Congress and Exposition (ECCE), 2015 IEEE. IEEE, 2015
- [7] Capitaneanu, Stefan Laurentiu, et al. "On the acoustic noise radiated by PWM AC motor drives." *Automatika* 44.3-4 (2003): 137-145
- [8] Boudouda, A., et al. "Optimized RPWM technique for a Variable Speed Drive using induction motor." *Electromagnetic Compatibility (EMC EUROPE)*, 2012 International Symposium on. IEEE, 2012
- [9] Trzynadlowski, Andrzej M., et al. "Mitigation of electromagnetic interference and acoustic noise in vehicular drives by random pulse width modulation." *Power Electronics in Transportation*, 2004. IEEE, 2004
- [10] Lai, Yen-Shin, and Bo-Yuan Chen. "New random PWM technique for a full-bridge DC/DC converter with harmonics intensity reduction and considering efficiency." *IEEE Transactions on Power Electronics* 28.11 (2013): 5013-5023
- [11] Bech, Michael M., Frede Blaabjerg, and John K. Pedersen. "Random modulation techniques with fixed switching frequency for three-phase power converters." *IEEE Transactions on power electronics* 15.4 (2000): 753-761

Random Pulse Width Modulation for Three-Phase Inverter Applications

3 Introduction

In power electronics, several Pulse Width Modulation (PWM) schemes have been successfully employed depending on the particular application. Most of the conventional PWM schemes, being deterministic in nature, produce a predetermined harmonic content. This can create a number of issues in real-world applications like the production of acoustic noise, radio interference, and mechanical vibration [2-5]. In applications where interference with the environment and other equipment need to be mitigated, for example in industrial motor drives, traction drives, electric vehicles, the conventional PWM schemes inherently do not perform efficiently and additional equipment like electromagnetic interference (EMI) filters need to be added [6]. One available option to cope with issues resulting in these applications is to increase the switching frequency of the conventional PWM schemes i.e. >18kHz [7]. However, this causes the switching losses to increase significantly. In such applications random pulse width modulation (RPWM) has been found to be effective to mitigate the cited issues without the need of considerably increasing the switching frequency.

In RPWM the width of each switching pulse varies stochastically. This causes the harmonics cluster to spread over a large range thus reducing the size of separate filters or entirely avoiding the use of filters in certain applications. RPWM technique has successfully been utilized in many power electronics applications e.g. in industrial motor control drives where the acoustic noise needs to be checked.

Usually, high-frequency PWM and RPWM signals for commercial sophisticated systems are implemented using Digital Signal Processors (DSP) and Field Programmable Gate Arrays (FPGA). However, these devices are more generic, powerful, and flexible which makes them quite expensive. Similar precision and high-frequency timing requirements needed for RPWM generation can be met with a low-cost Dialog CMIC. Many suitable RPWM schemes, especially for open-loop applications, can be implemented using Dialog CMICs. Thus, the explicit programming or coding of embedded DSPs, MCUs or FPGAs is replaced by a simple interface provided in the **GreenPAK™** designer. In addition, the size of the overall control circuit is considerably reduced.

There are several ways of producing the RPWM for three-phase inverter applications. In this application note, a suitable RPWM technique is presented that can be implemented using the available **GreenPAK** CMIC's resources. The RPWM technique is implemented using the dual matrix CMIC SLG46620. Appropriate theoretical proposals and experimental results are also presented including the output voltage waveforms and their harmonic content that would justify the proposed strategy.

Random Pulse Width Modulation for Three-Phase Inverter Applications

4 Proposed RPWM Scheme

The block diagram of the RPWM scheme driving a three-phase inverter is shown in the [Figure 1](#).

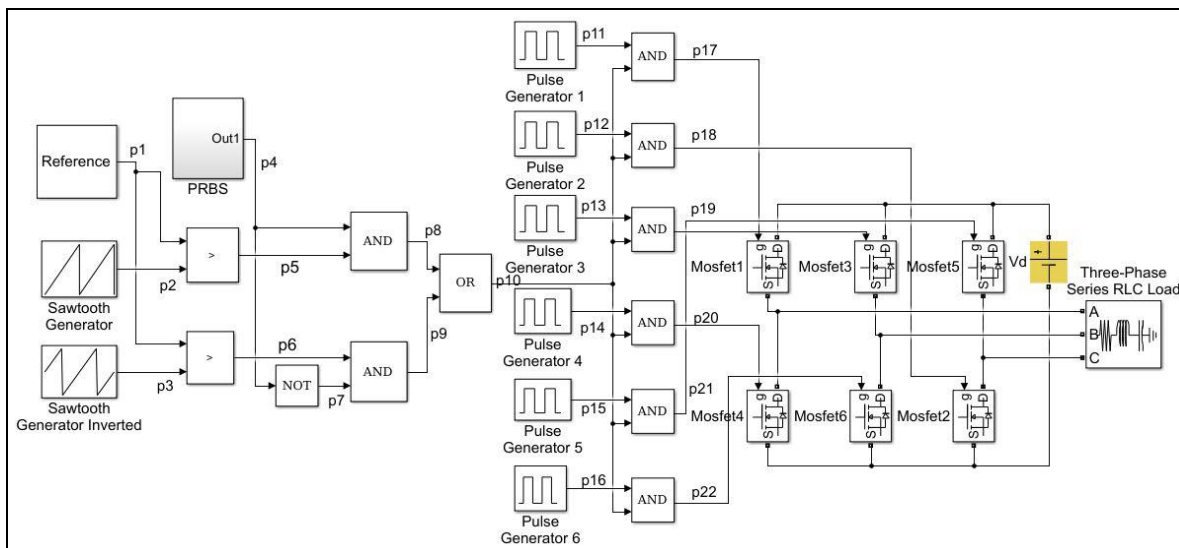


Figure 1: Block Diagram of the Proposed Scheme

Two saw-tooth signals, labeled as p2 and p3 (with values ranging: 0-1), 180 °C phase apart, are compared with a constant value p1 (with value ranging: 0-1) to give different type of pulses labeled as p5 and p6. The waveforms of these pulses (p5 and p6) are shown in [Figure 2](#) and [Figure 3](#). A binary pseudo-random number generator (labeled as p4) with the waveform shown in [Figure 4](#) is employed to randomly select a pulse out of the signals p5 and p6 using the logical operators as shown in the above block diagram. This generates a train of pulses p10, which is shown in [Figure 5](#). The signal p10 is passed through AND gates along with 10ms long pulses generated by pulse generators 1 through 6 and tagged as p11, p12, p13, p14, p15, and p16. Note that, the pulse generator output pulses have 60 °C phase difference relative to each other for a full 180 °C conduction mode. Finally, after AND operations, the signals p17, p18, p19, p20, p21, and p22 become the gate driving signals for the power switches employed in the power stage of the three phase inverter.

The switches (usually MOSFETs or IGBTs) are switched on and off according to the applied gate signals to obtain the three phase balanced voltage waveforms at the output of the inverter.

Random Pulse Width Modulation for Three-Phase Inverter Applications

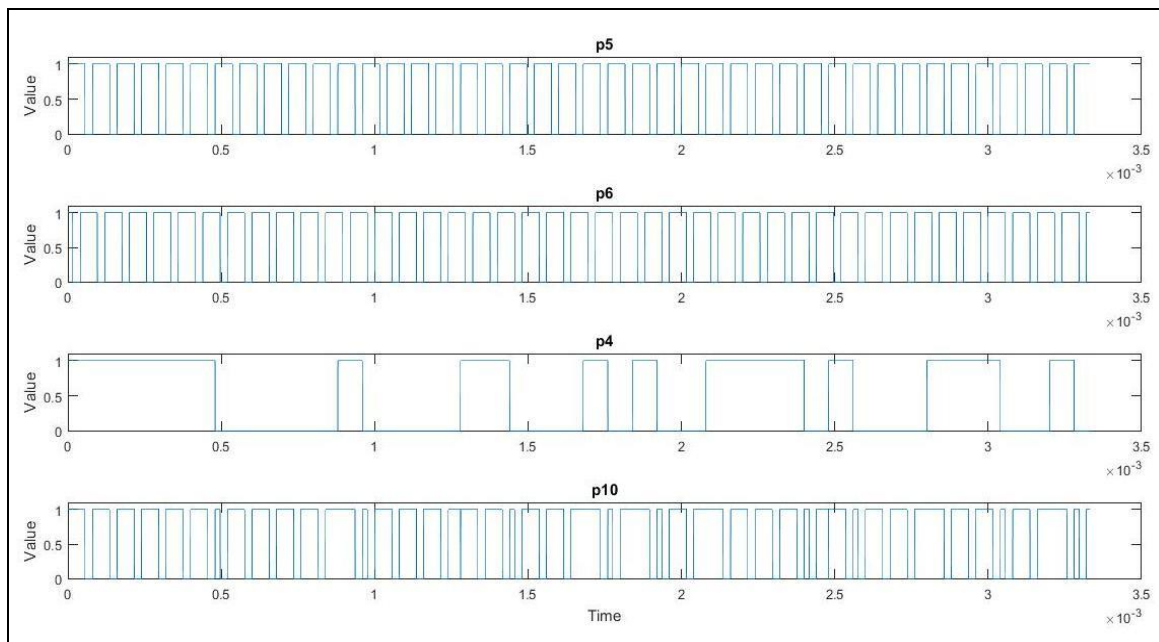


Figure 2: Simulated Signal Waveforms at Several Stages in the RPWM Scheme

A simulation is carried out in Matlab/Simulink environment for a 50 Hz (fundamental) RPWM three phase inverter system and the phase-phase output waveforms are shown in [Figure 3](#). Effectively, the output voltage waveforms are modulated by the stochastic signal p10 and shifted from one another by 120 °C.

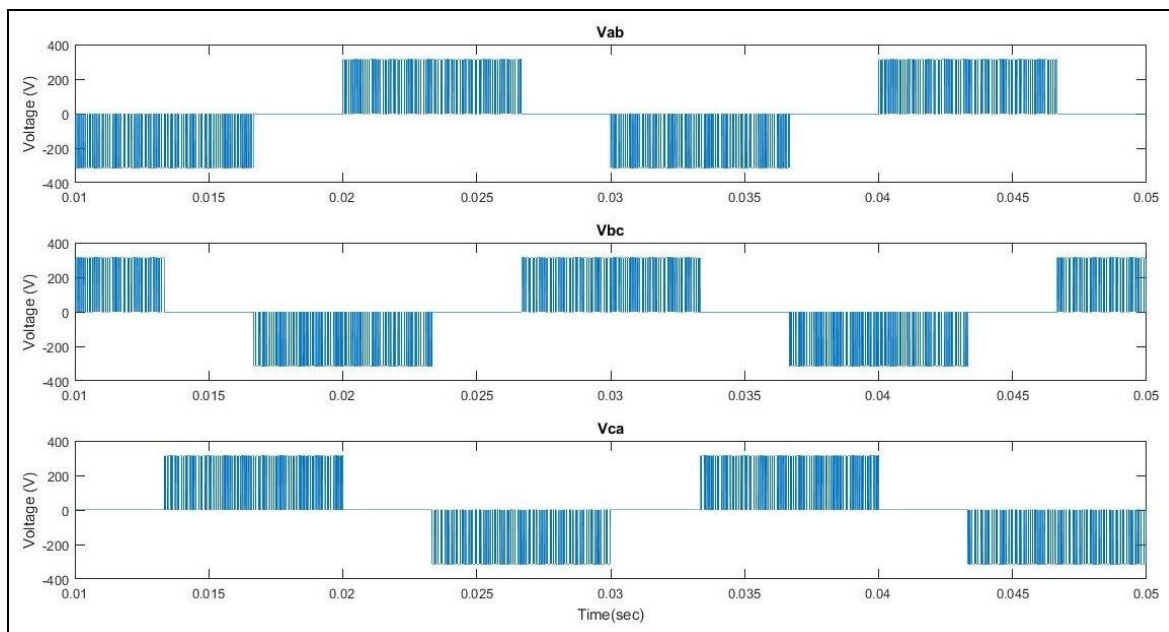


Figure 3: Simulated Output Phase-Phase Voltage Waveforms

4.1 Selection of Reference Value

The reference signal p1 provides a way to control the spectral content of inverter outputs for a particular application according to the subjective acoustic response. Variation of the reference from 1 to 0.5 flattens out the spectral content mitigating the spikes at the multiples of the switching frequency. However, it also reduces the magnitude of the fundamental component of the signal. [Figure 4](#) illustrates how the spectral content of the output phase-phase voltage changes by

Random Pulse Width Modulation for Three-Phase Inverter Applications

decreasing the reference value from $p1=0.8$ to $p1=0.5$, for $V_{dc} = 312\text{ V}$ and carrier frequency = 12.5 kHz .

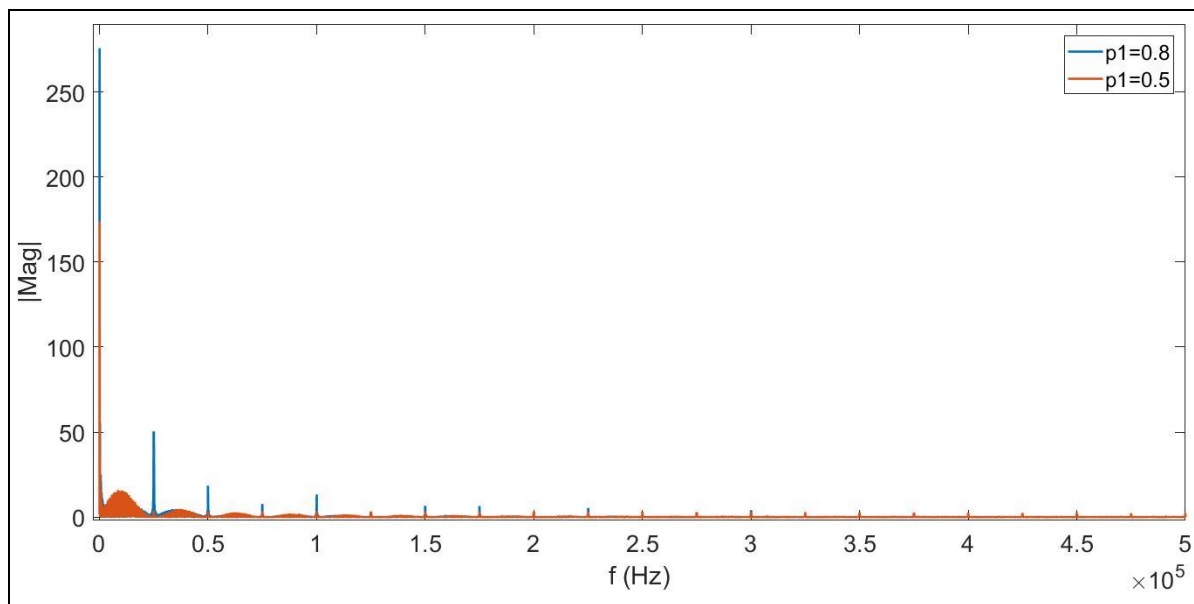


Figure 4: Variation in Frequency Spectrum with Change in Reference Value

Decreasing the value further from 0.5 is not recommended as it starts to increase the spikes at the multiples of the switching frequency and the fundamental component is also reduced.

5 GreenPAK Design

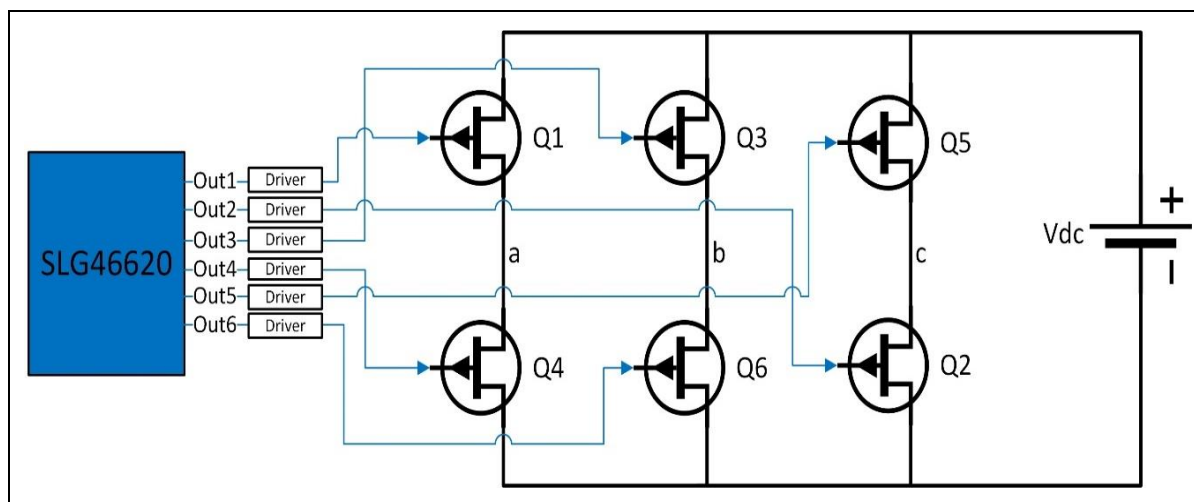


Figure 5: Role of SLG46620 in the RPWM Scheme

Figure 5 shows how the selected Dialog CMIC SLG46620 fits into the entire scheme. The basic operation of the CMIC is to generate the random pwm modulated signals that are applied at the gate terminals of the switching devices used in the inverter power stage.

Random Pulse Width Modulation for Three-Phase Inverter Applications

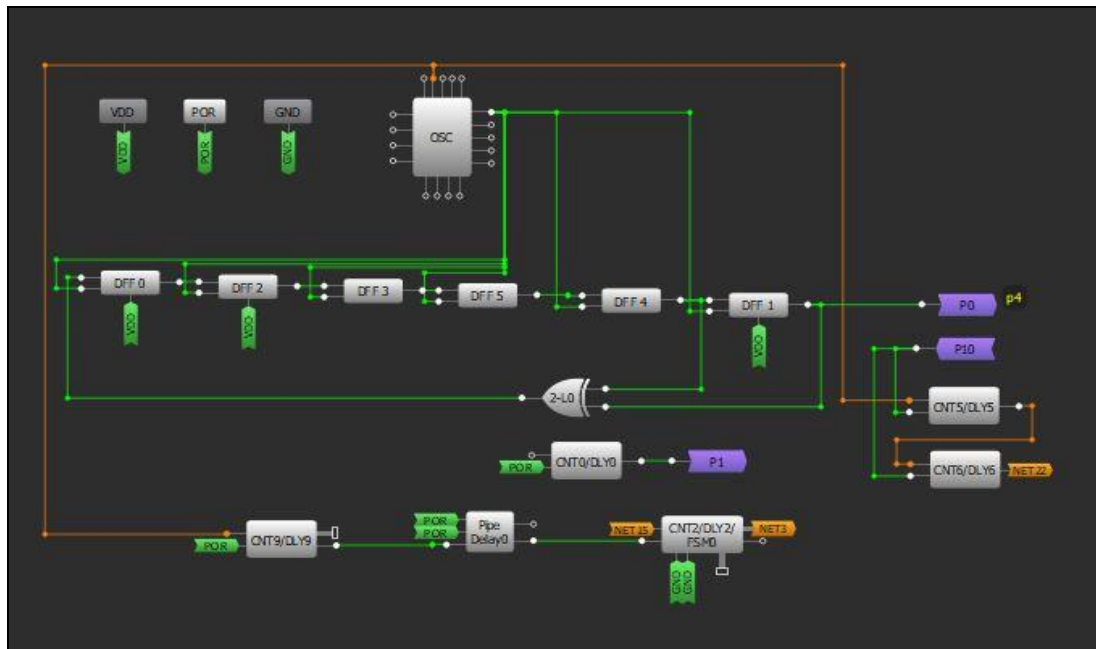


Figure 6: Design Matrix 0

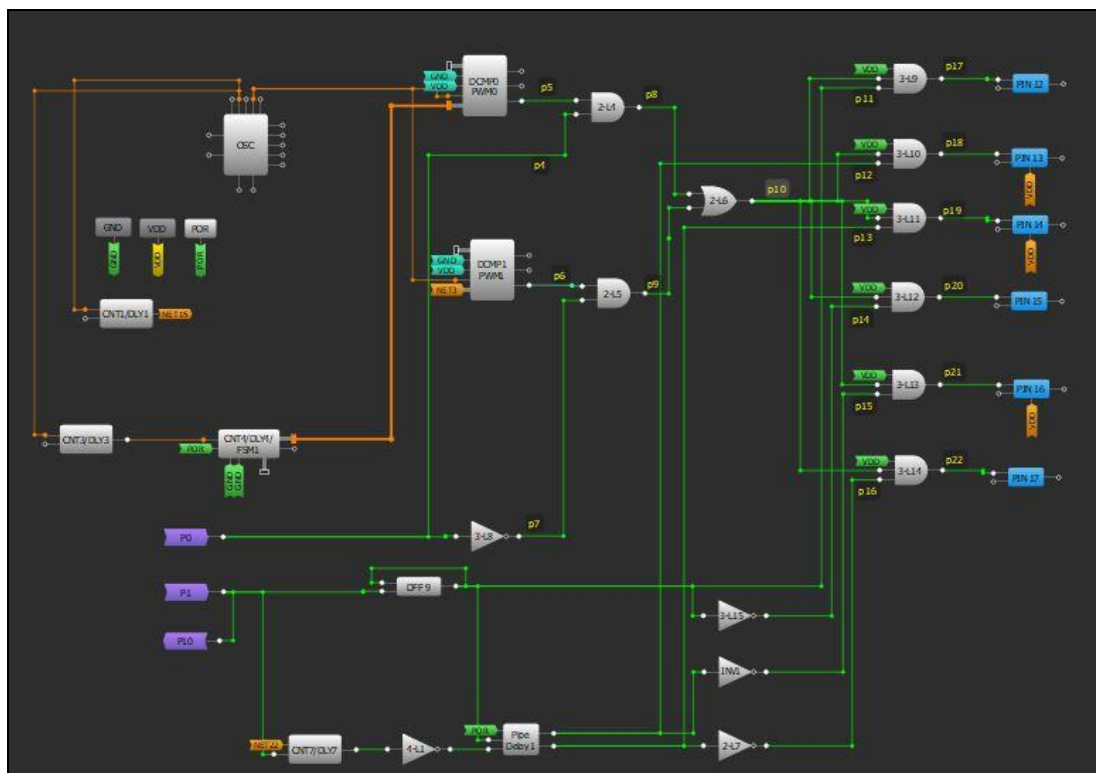


Figure 7: Design Matrix 1

The fundamental frequency of the inverter output voltage is chosen to be 50 Hz. SLG46220 is chosen because it provides sufficient resources to carry out the intended design. The Matrix 0 and 1 designs are shown in [Figure 6](#) and [Figure 7](#) respectively. In Matrix 0 a pseudo-random signal (PBRs) P0 is produced by connecting DFFs in a concatenated fashion and using a XOR gate in a feedback loop as shown in [Figure 6](#). The DFFs are driven by a 12.5 kHz clock signal from OUT0 of the oscillator block.

Random Pulse Width Modulation for Three-Phase Inverter Applications

For the saw-tooth carrier signal generation, the use of FSM blocks is proposed. Both FSM0 and FSM1, configured in set mode with UP=0, are fed by counters CNT1/DLY1 and CNT3/DLY3 respectively that create pulses having a frequency of 1.6875 MHz. The counter value in both FSMs is set as 134 (output period 80 us) to achieve the desired 12.5 kHz discrete saw-tooth signal. To achieve 180 °C phase shift between the both saw-tooth signals FSM0 is enabled 40 us after FSM1 using a pipe delay fed by CNT9/DLY9.

The two saw-tooth carrier signals are fed to DCMP0 and DCMP1, via the Q byte output ports of FSM0 and FSM1, for comparison with a constant reference signal (configured inside the registers DCMP0 and DCMP1) as shown in [Figure 7](#). Since the counter runs up-to a value of 134 the reference value is given with respect to 134 e.g. 67 would be equivalent to the value of 0.5 (67/134). The outputs of the two DCMPs (p5 and p6) are further passed through to two AND gates along with the output signal from the LFSR (p4) and its inverted value (p7). An OR gate is fed with the output of these AND gates to randomly obtain one of the two outputs of the DCMPs. The output of the OR gate (p10) is further used to modulate the driving signals of the inverter.

The counter CNT0/DLY0 is configured to produce pulses with a 10 ms period in order to have output voltages of 50 Hz frequency (fundamental). These pulses are fed to a DFF configured in an inverting mode, with the output fed back to the input, to produce a 50 Hz square wave pulse train. To ensure that the output pulses labelled as p11 through p16 are 60 °C phase apart, the use of a pipe delay block is proposed. The counters CNT5/DLY5, CNT6/DLY6 and CNT7/DLY7 are cascaded to provide pulses with a period of 3.33 ms. These pulses are fed to a pipe delay through a not gate since the pipe delay creates delay by counting the number of input rising edges whereas the counters, get reset to 0 with the reset input, create coinciding falling edges with a period of 3.33 ms. Out 0 and 1 of the pipe delay provide 3.33 ms and 6.66 ms time delays respectively to the input pulse. The three signals i.e. input and the two delayed outputs of the pipe delay are further inverted to provide a total number of 6 pulses (p11-p16) that are 60° phase shifted to each other. These 50 Hz, 60 °C phase shifted pulses are further passed to AND gates along with the random pulse train (p10) to provide the final driving signals for the 3 phase inverter.

6 Experimental Results

A hardware prototype depicted in [Figure 8](#) was developed to experimentally validate the proposed RPWM scheme. To ensure that both switches in the same leg do not turn on at the same time a dead band was produced in hardware.

Random Pulse Width Modulation for Three-Phase Inverter Applications

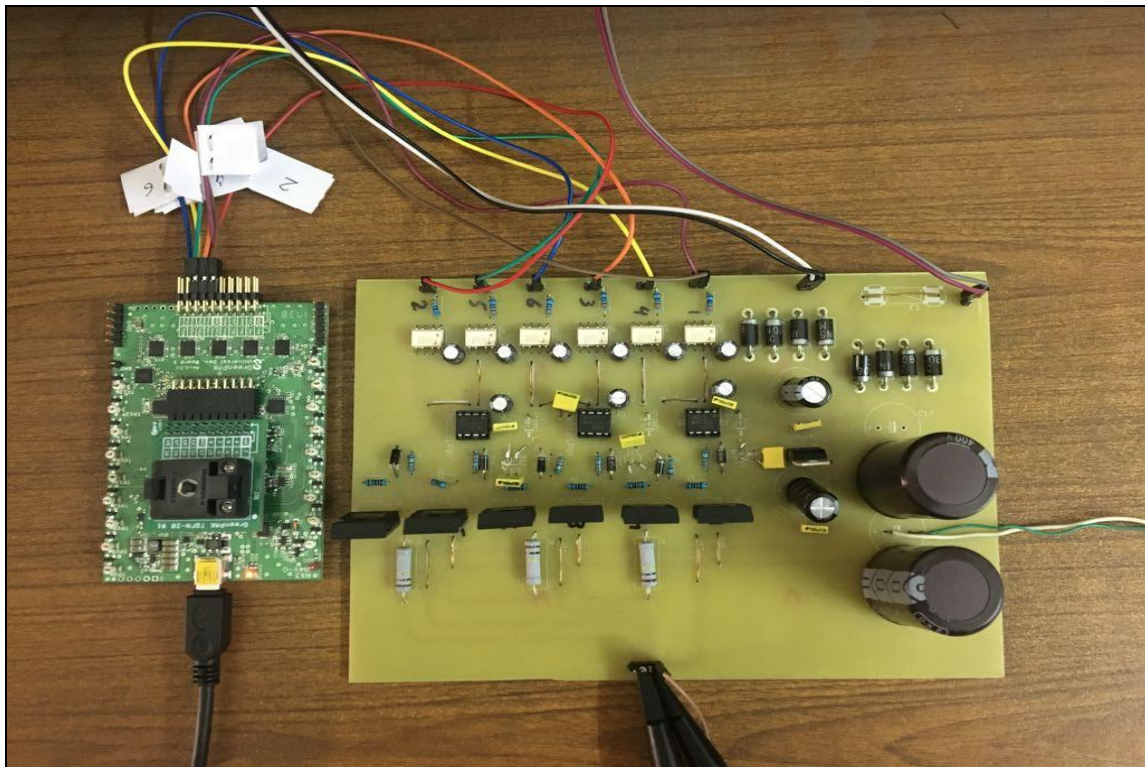


Figure 8: Prototype Hardware

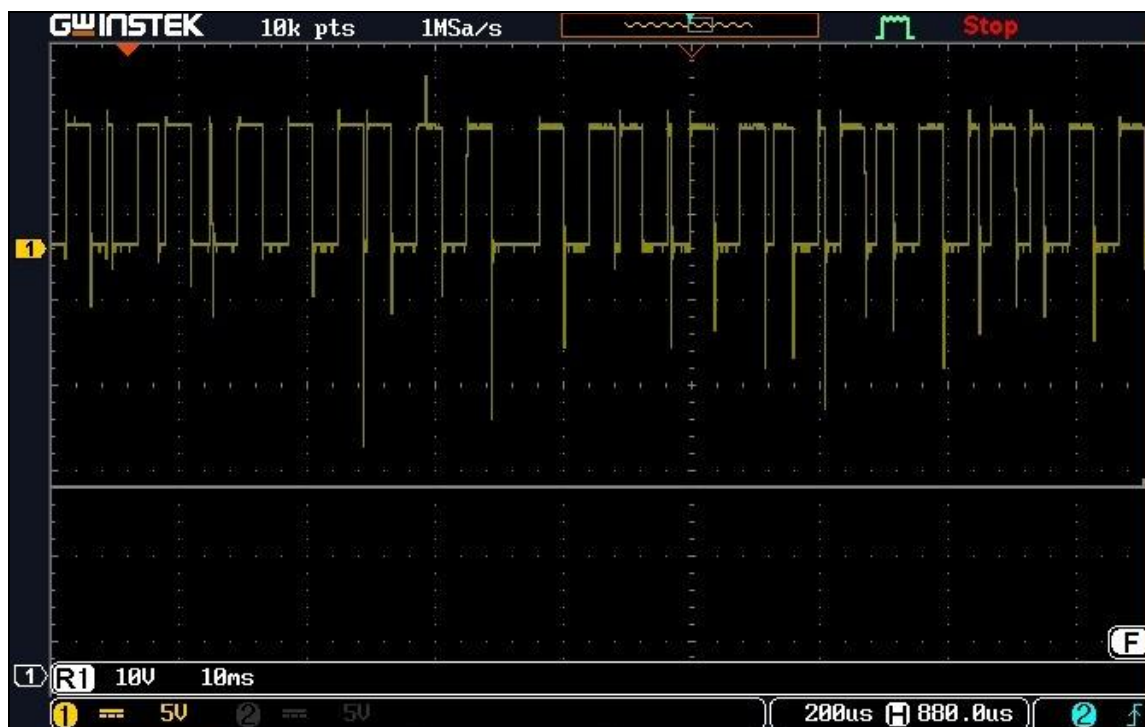


Figure 9: Magnified Phase-Phase Output Voltage Waveform

Random Pulse Width Modulation for Three-Phase Inverter Applications



Figure 10: Vab, Vac and FFT for Reference Value 0.8



Figure 11: Vab, Vac and FFT for Reference Value 0.5

Figure 9 shows the magnified waveform of the output phase-phase voltage. It is evident that the waveform is randomly modulated as desired.

In Figure 10 the output phase-phase voltage signals Vab (in yellow color) and Vac (in blue color) are shown. Moreover, the FFT plot of Vab (in red color) for reference value ≈ 0.8 ($107/134$) is also depicted. Though the spread in the frequency spectrum is evident, a spike at twice the switching frequency i.e. 25 kHz is observed as the theory suggests

Random Pulse Width Modulation for Three-Phase Inverter Applications

Figure 11 depicts the output phase-phase voltage signals V_{ab} (in yellow color) and V_{ac} (in blue color) as well as the FFT plot of V_{ab} (in red color) for reference value = 0.5 (67/134). It can be seen the spectrum gets flatter and significant spread is also achieved.

7 Conclusions

RPWM signals for three-phase inverters can be generated using different techniques and usually expensive DSPs and FPGAs are used in industrial applications to achieve the desired results. In this application note, a suitable RPWM generation technique for three-phase inverter applications using a low-cost Dialog SLG46620 CMIC has been outlined. Through appropriate simulations and experimental results, it has been established that the proposed technique is functional and SLG46620 IC provides sufficient resources to carry out the intended results.

**Random Pulse Width Modulation for Three-Phase
Inverter Applications**

Revision History

Revision	Date	Description
1.0	17-Oct-2018	Initial Version

Random Pulse Width Modulation for Three-Phase Inverter Applications

Status Definitions

Status	Definition
DRAFT	The content of this document is under review and subject to formal approval, which may result in modifications or additions.
APPROVED or unmarked	The content of this document has been approved for publication.

Disclaimer

Information in this document is believed to be accurate and reliable. However, Dialog Semiconductor does not give any representations or warranties, expressed or implied, as to the accuracy or completeness of such information. Dialog Semiconductor furthermore takes no responsibility whatsoever for the content in this document if provided by any information source outside of Dialog Semiconductor.

Dialog Semiconductor reserves the right to change without notice the information published in this document, including without limitation the specification and the design of the related semiconductor products, software and applications.

Applications, software, and semiconductor products described in this document are for illustrative purposes only. Dialog Semiconductor makes no representation or warranty that such applications, software and semiconductor products will be suitable for the specified use without further testing or modification. Unless otherwise agreed in writing, such testing or modification is the sole responsibility of the customer and Dialog Semiconductor excludes all liability in this respect.

Customer notes that nothing in this document may be construed as a license for customer to use the Dialog Semiconductor products, software and applications referred to in this document. Such license must be separately sought by customer with Dialog Semiconductor.

All use of Dialog Semiconductor products, software and applications referred to in this document are subject to Dialog Semiconductor's [Standard Terms and Conditions of Sale](http://www.dialog-semiconductor.com), available on the company website (www.dialog-semiconductor.com) unless otherwise stated.

Dialog and the Dialog logo are trademarks of Dialog Semiconductor plc or its subsidiaries. All other product or service names are the property of their respective owners.

© 2018 Dialog Semiconductor. All rights reserved.

Contacting Dialog Semiconductor

United Kingdom (Headquarters)

Dialog Semiconductor (UK) LTD
Phone: +44 1793 757700

Germany

Dialog Semiconductor GmbH
Phone: +49 7021 805-0

The Netherlands

Dialog Semiconductor B.V.
Phone: +31 73 640 8822

Email:

enquiry@diasemi.com

North America

Dialog Semiconductor Inc.
Phone: +1 408 845 8500

Japan

Dialog Semiconductor K. K.
Phone: +81 3 5769 5100

Taiwan

Dialog Semiconductor Taiwan
Phone: +886 281 786 222

Web site:

www.dialog-semiconductor.com

Hong Kong

Dialog Semiconductor Hong Kong
Phone: +852 2607 4271

Korea

Dialog Semiconductor Korea
Phone: +82 2 3469 8200

China (Shenzhen)

Dialog Semiconductor China
Phone: +86 755 2981 3669

China (Shanghai)

Dialog Semiconductor China
Phone: +86 21 5424 9058