

Application Note

Implementing Power Fail Detection or Audio Mute Using The PV88080

AN-PV-002

Abstract

The application note describes how to use the Power Fail Detection and Audio Mute functions of the PV88080.

Implementing Power Fail Detection or Audio Mute Using The PV88080

Company Confidential

Contents

Abstract	1
Contents	2
Figures	2
Tables	2
1 Terms and Definitions	3
2 References	3
3 Introduction	4
4 Mute function	4
4.1 Summary of the steps need to configure the PV88080 Mute function	7
5 Power Fail Detection function	7
6 Conclusions	8
Revision History	9

Figures

Figure 1: Mute Block diagram.....	4
Figure 2: High level operation of the mute function.....	5
Figure 3: GUI setting 1	6
Figure 4: GUI Setting 2.....	6
Figure 5: GUI Setting 3.....	6
Figure 6: Mute function test	7
Figure 7: Mute function test	7
Figure 8: GUI Setting 1	8
Figure 9: GUI Setting 2.....	8

Tables

Table 1: POR (Power on Reset).....	5
Table 2: GUI_Mute Level Setting	5

1 Terms and Definitions

OTP: One Time Programmable memory used in the PV88080 to store operational settings.

2 References

[1] PV88080 Datasheet, Dialog Semiconductor.

3 Introduction

This application note describes how to utilize the power fail/audio mute function on the PV88080. These two functions share a common implementation in that both functions monitor the input rail voltage on the PV88080 and detect a pre-programmed condition (threshold) that when established will cause a interrupt signal to be sent to the host application processor. For the Mute function, there are 4 selectable voltages to choose from configured via OTP. For the Power Fail Detect function, an external resistive divider is used to set the trip point of the on-chip comparator. Once the OTP configured output is asserted the host processor will either begin an orderly shut-down of the system or will signal an on board audio power amp to mute the audio out line. OTP configuration is pre-programmed by Dialog to support the specific customer application.

4 Mute function

This section describes the operation of the Mute function. Figure 1 shows the high level implementation of the function.

VIN_Supply is monitored via the internal resistive divider. When the voltage on the positive side of the comparator falls below VREF, the mute function is activated and a signal is produced on one of three pins depending on OTP programming. This signal can be used to control the audio mute pin of the power amplifier.

The trigger level of audio mute should be higher than POR voltage (Vporhi). When voltage on the internal resistive divider drops to the programmed trigger level of audio mute, the device will send mute signal from one of the three pins via the nIRQ pin as shown in Figure 2. The selected pin can then be connected to the mute pin of Audio Amp on PCB (See Figure 1).

Notice that there is 200us one way de-glitch after voltage rise through MUTE trigger level. The voltage must stay higher than the trigger level for 200us during recovery.

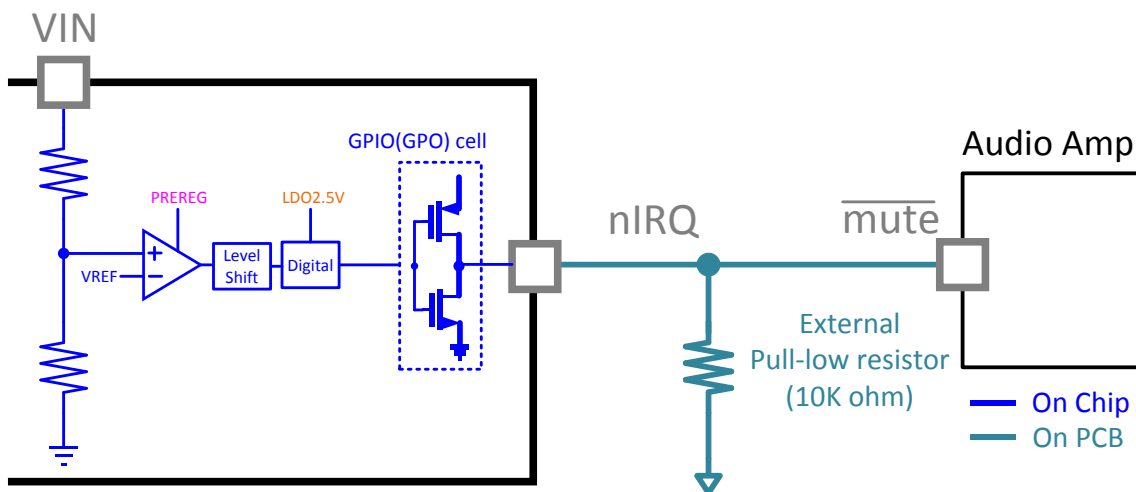


Figure 1: Mute block diagram

Implementing Power Fail Detection or Audio Mute Using The PV88080

Company Confidential

Table 1: POR (Power on Reset)

Parameter	Symbol	Test Conditions	Min	Typ	Max	Unit
Upper POR threshold	Vporhi		6.5			V
POR Hysteresis Voltage	Vporhys				500	mV

Note 1 PV88080 POR is generated when the Vin_Supply pin voltage rises to 6.5V, A POR event will return the chip to the No POWER condition. All registers will be cleared and the OTP will be reloaded on the next start.

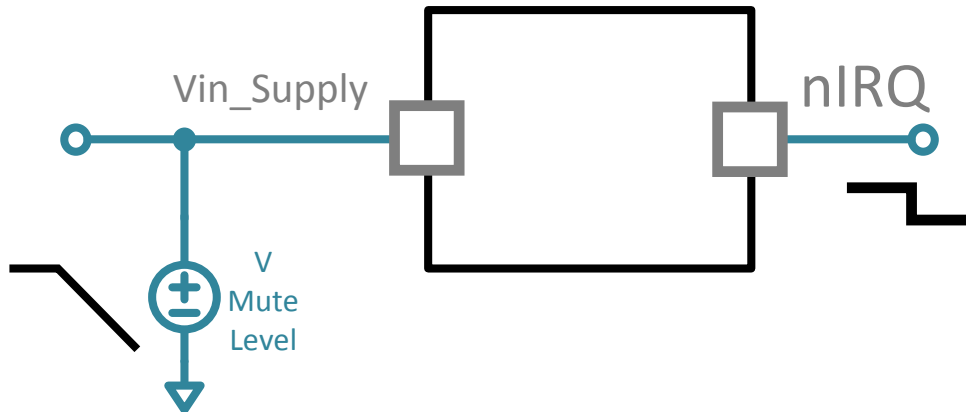


Figure 2: High level operation of the mute function

Table 2: GUI_Mute Level Setting

Based on customer input, the mute level is set by Dialog during the development of the OTP file.

GUI - Control C (0x0E)	V Mute Level Selection
0x32 (00)	8.535/8.53 (V)
0x36 (01)	8.135/8.13 (V)
0x3A (10)	7.43/7.425 (V)
0x3E (11)	6.835/6.83 (V)

Note : The below information is for informational purposes only. These are not user programmable. Address 0x0E to enable MUTE Function for Green.

Implementing Power Fail Detection or Audio Mute Using The PV88080

Company Confidential

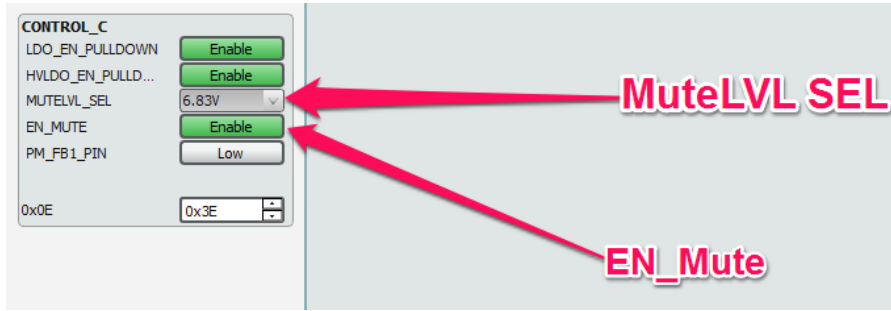


Figure 3: GUI setting 1

Address 0x1B to Setting GPIO_NIRQ_CONF

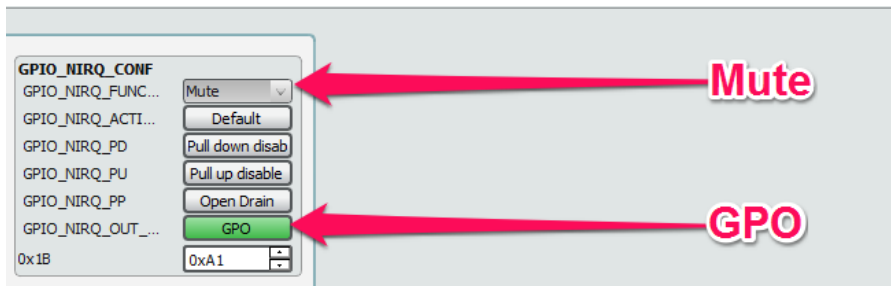


Figure 4: GUI Setting 2

Register Setting - Select a GPIO1 / GPIO2 / nIRQ for Mute

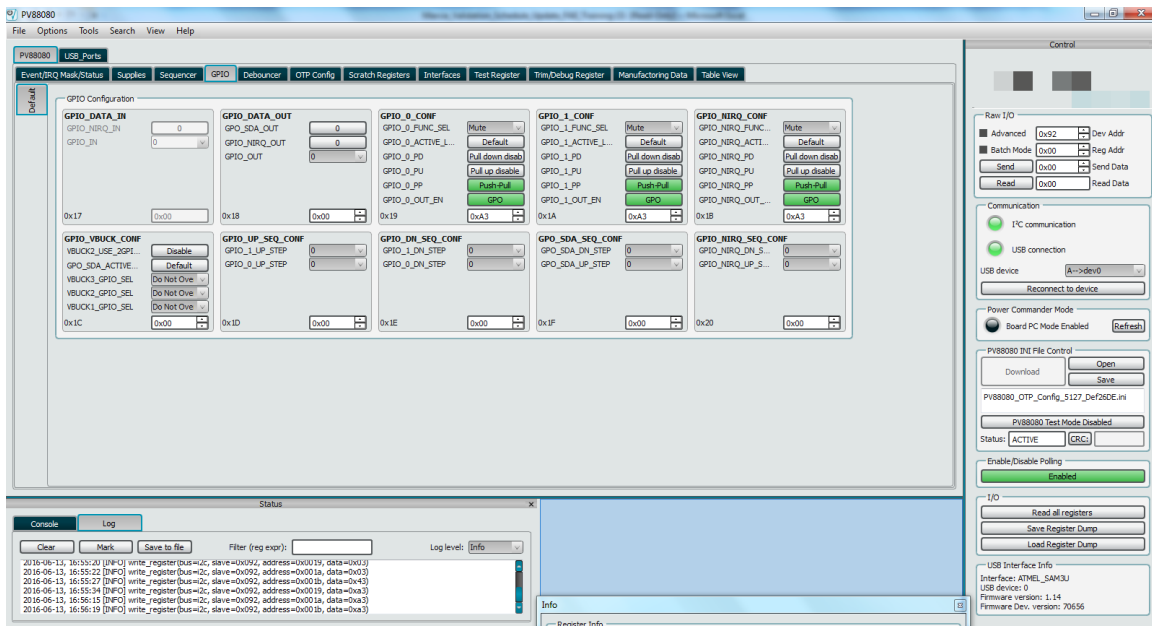


Figure 5: GUI Setting 3

4.1 Summary of the steps need to configure the PV88080 Mute function

- Set VIN=12V
- The PV88080 will enter active mode (we don't need to enable all the bucks)
- Set Register CONTROL_C 0x000E[3:2]=00,01,10,11 (MUTELVL_SEL) respectively
- Set Register CONTROL_C 0x000E[1]=1 (EN_MUTE=1)
- Set Register GPIO_NIRQ_CONF 0x001B[7:0]=1
- Sweep VIN from 12V to 6.5V and monitor nIRQ
- Record the VIN once the nIRQ transitions to the low state.

Typical mute level :

- 0x000E[3:2]=00 (MUTELVL_SEL), nIRQ toggle @ VIN_Supply =8.53V
- 0x000E[3:2]=01 (MUTELVL_SEL), nIRQ toggle @ VIN_Supply =8.13V
- 0x000E[3:2]=10 (MUTELVL_SEL), nIRQ toggle @ VIN_Supply =7.43V
- 0x000E[3:2]=11 (MUTELVL_SEL), nIRQ toggle @ VIN_Supply =6.83V

Figure 6 is the bench measured version of Figure 2.

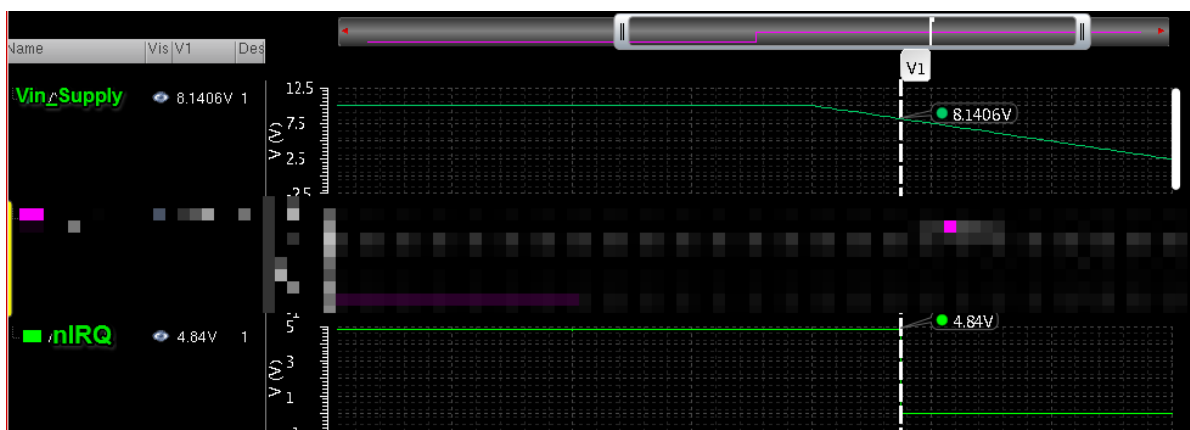


Figure 6: Mute function test

5 Power Fail Detection function

The Power Fail Detection function uses GPIO_2 to monitor the supply voltage as show in Figure 7 For systems not using the GPIO_2 input for power fail detection and power fail detection is enabled in the OTP, GPIO_2 should be pulled up to LDO2P5V (Pin 14) with a 10K ohm resistor.

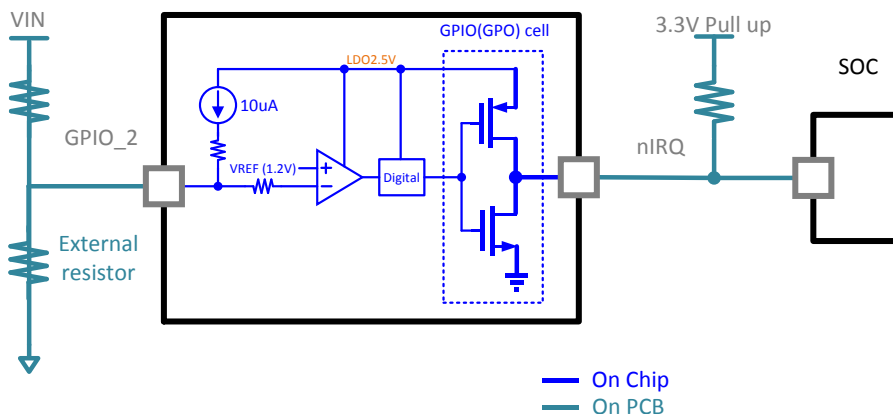


Figure 7: Power Fail function test

Address 0x09 to enable Power Fail Detection



Figure 8: GUI Setting 1

Address 0x1B to Setting GPIO_NIRQ_CONF 0x01

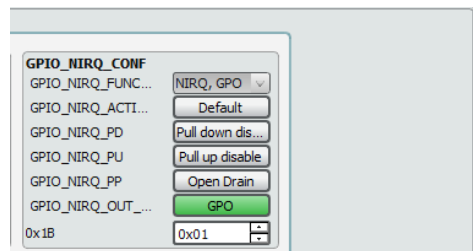


Figure 9: GUI Setting 2

6 Conclusions

The power fail/mute function of the PV88080 can be used to easily control the mute function of an audio amplifier or monitor the supply voltage for low voltage conditions. These functions being fully integrated can result in a reduction in PCB components with corresponding reduction in cost.

Revision History

Revision	Date	Description
1.0	<09-June-2017>	Initial version.
1.1	<07-July-2017>	Syntax and general description/conclusion update
1.4	<06-Oct-2017>	Revised Mute and Power Fail circuit diagram and clarified pin usage. Corrected figure 7 title
1.5	<11-Nov-2017>	Corrected figure 7 title and nLRQ pin location
Change details:		

Implementing Power Fail Detection or Audio Mute Using The PV88080

Company Confidential

Status Definitions

Status	Definition
DRAFT	The content of this document is under review and subject to formal approval, which may result in modifications or additions.
APPROVED or unmarked	The content of this document has been approved for publication.

Disclaimer

Information in this document is believed to be accurate and reliable. However, Dialog Semiconductor does not give any representations or warranties, expressed or implied, as to the accuracy or completeness of such information. Dialog Semiconductor furthermore takes no responsibility whatsoever for the content in this document if provided by any information source outside of Dialog Semiconductor.

Dialog Semiconductor reserves the right to change without notice the information published in this document, including without limitation the specification and the design of the related semiconductor products, software and applications.

Applications, software, and semiconductor products described in this document are for illustrative purposes only. Dialog Semiconductor makes no representation or warranty that such applications, software and semiconductor products will be suitable for the specified use without further testing or modification. Unless otherwise agreed in writing, such testing or modification is the sole responsibility of the customer and Dialog Semiconductor excludes all liability in this respect.

Customer notes that nothing in this document may be construed as a license for customer to use the Dialog Semiconductor products, software and applications referred to in this document. Such license must be separately sought by customer with Dialog Semiconductor.

All use of Dialog Semiconductor products, software and applications referred to in this document are subject to Dialog Semiconductor's [Standard Terms and Conditions of Sale](http://www.dialog-semiconductor.com), available on the company website (www.dialog-semiconductor.com) unless otherwise stated.

Dialog and the Dialog logo are trademarks of Dialog Semiconductor plc or its subsidiaries. All other product or service names are the property of their respective owners.

© 2017 Dialog Semiconductor. All rights reserved.

Contacting Dialog Semiconductor

United Kingdom (Headquarters)

Dialog Semiconductor (UK) LTD
Phone: +44 1793 757700

Germany

Dialog Semiconductor GmbH
Phone: +49 7021 805-0

The Netherlands

Dialog Semiconductor B.V.
Phone: +31 73 640 8822

Email:

enquiry@diasemi.com

North America

Dialog Semiconductor Inc.
Phone: +1 408 845 8500

Japan

Dialog Semiconductor K. K.
Phone: +81 3 5425 4567

Taiwan

Dialog Semiconductor Taiwan
Phone: +886 281 786 222

Web site:

www.dialog-semiconductor.com

Singapore

Dialog Semiconductor Singapore
Phone: +65 64 8499 29

Hong Kong

Dialog Semiconductor Hong Kong
Phone: +852 3769 5200

Korea

Dialog Semiconductor Korea
Phone: +82 2 3469 8200

China (Shenzhen)

Dialog Semiconductor China
Phone: +86 755 2981 3669

China (Shanghai)

Dialog Semiconductor China
Phone: +86 21 5424 9058