

# DA14683 Reference Design

Design Name	DA14683 DB AQFN vD
Ref. Number	224-14-D
Version	D
Date	July, 13, 2016
Designer	

Same PCB Board & Reference Number  
for aQFN60 packages of

- DA14680
- DA14681
- DA14682
- DA14683
- DA15100
- DA15101

## History Table

Version	Date	Comments
A	13/Mar / 2015	Initial Schematic
B	17/Jun/ 2015	Add R24=2.2K for V14 rail power at power up Change value of C4 to 10uF Replace SW2 pin header connector with slide switch CUS-12TB Replace J3 RF Switch with Murata MM8130-2600 Add second choice for QSPI FLASH , U3, W25Q80EW
	27/Jul/ 2015	Replace L1 part number (L2012 , lower DC Resistance) Change C8 from 1uF to 4.7uF Change C3 from 10uF to 4.7uF Connect R24 to V18 instead of VDDIO Change pin assignment for UTX (P1_3) URX (P2_3)
C	25/Sept/ 2015	Add Resistor R25=10MOhm to XTAL32Kp Make Resistor R24=2.2K NP Make W25Q80EW populated
D	16/Oct/ 2015 13/Jul/ 2016	Modify design to add label Update IC part number to DA14683

Configuration note

NOTE box

Changes in  
this Version.

<Variant Name>



Dialog Semiconductor  
52-54 Kalabriton Str.  
26335, Patra, Greece  
tel. (+30) 2610390940  
fax. (+30) 2610390941

Title : DA14683 DB AQFN vD

Doc. Nr. 224-14-D Designer: KL

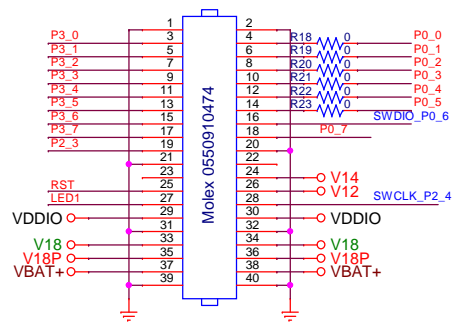
Rev: D

Date: Wednesday, July 13, 2016

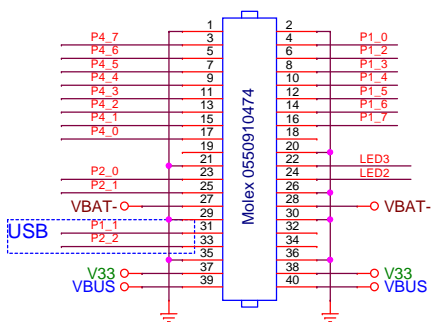
Sheet: 0 of 1

CONNECTORS FOR MOTHERBOARD

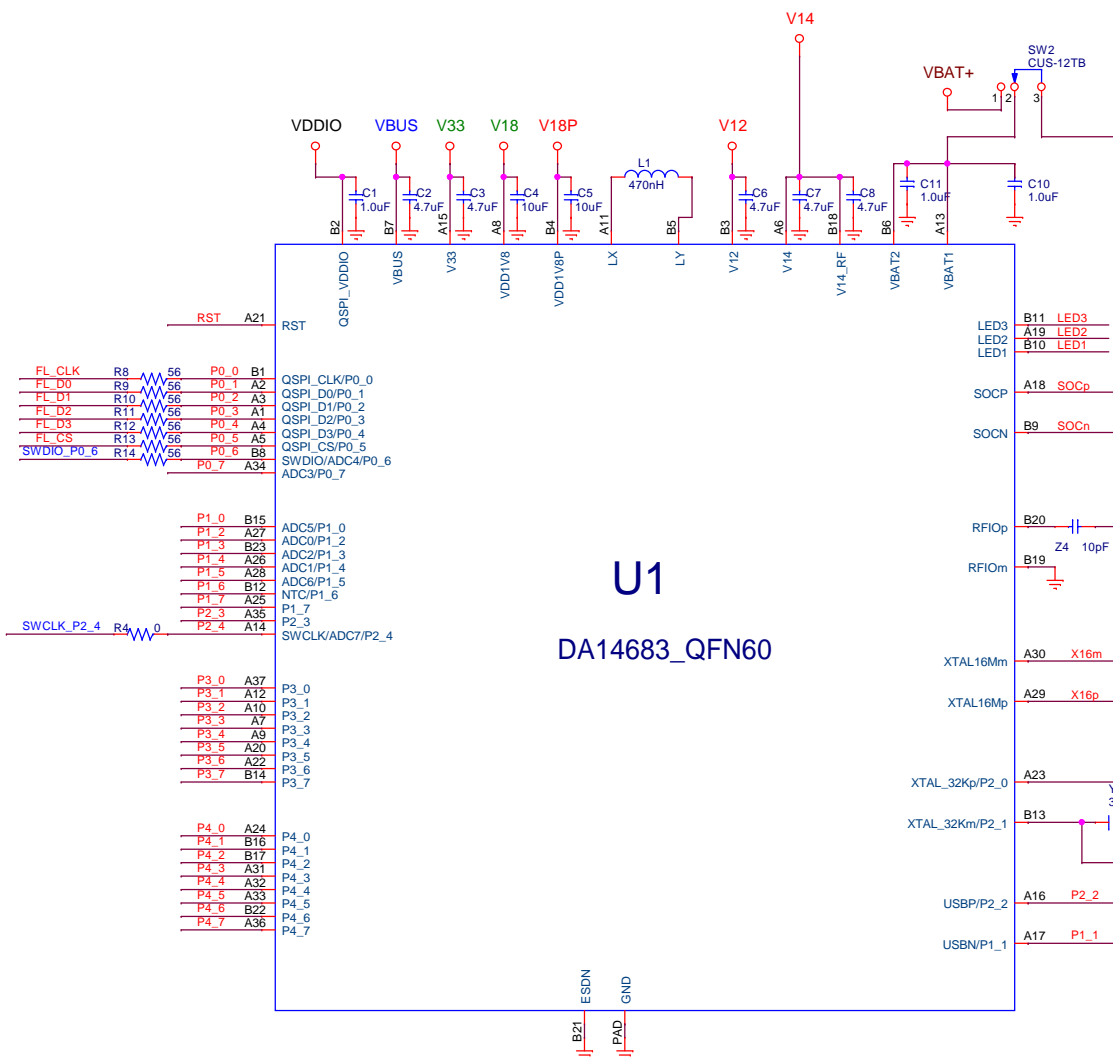
J1



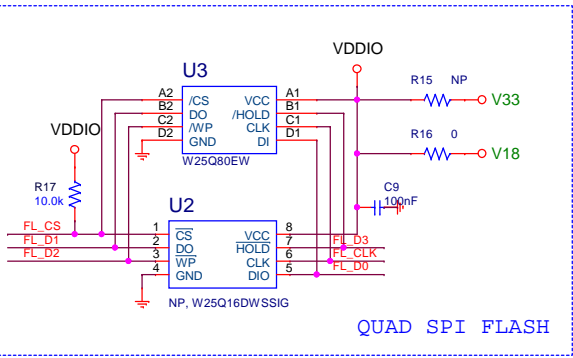
J2



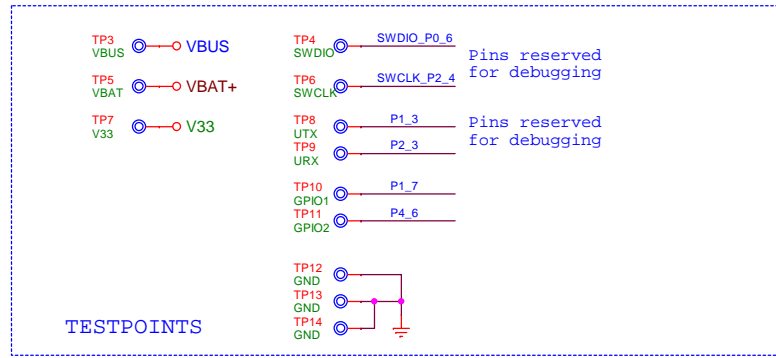
USB



U1  
DA14683-QFN60



QUAD SPI FLASH



TESTPOINTS

