

DA1469x Reference Design

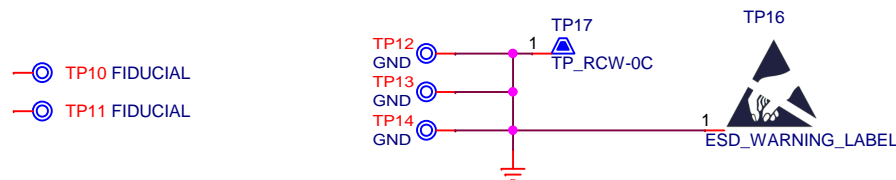
Design Name	2522-devkt-b-usb
Ref. Number	331-22-C
Version	C
Date	Nov 27, 2018
Designer	


Version	Date	Comments
A0.0	28/May/2018	Internal review release
	28/Jun/2018	Added option for soic8-150mil package and changed default flash type to W25Q80EWSNIG (same as pro devkit)
	29/Jun/2018	Added polarity notch mark on top silk for MikroBUS click boards
	02/Jul/2018	Added testpoints for USBDP_2, USBDM_2 Added testpoint for the red LED (D7)
	02/Jul/2018	Added option (R51) to drive BRSTn from P0_12 Changed tactile switch (K1,K2) type to EVP-AKE31A (side-activated)
	12/Jul/2018	Added option to power the external 3.0V devices with an LDO (U8 - default option) instead of V30
	17/Jul/2018	Added option for U5 in soic8-208mil package Changed default flash type to MX25U3235FM2I-10G (32 Mbit)
A1.0	30/Jul/2018	Changed default flash type to W25Q32JWSSIQ Changed part number for C29, Z5 to GRM1555C1H100GA01D Released B.O.M. to manufacturing
	03/Aug/2018	Added testpoint (TP48) for VBUS_IN on bottom
	06/Sep/2018	Changed default flash type to MX25U3235FM2I-10G Removed V30x Powering Option (U8) Added a current limiter mosfet (Q4) on V30L, changed R55 to N.P. Changed C38 to 2.2uF/25V Replaced R48,R49 with diodes D9(RB531SM-30) and D10 (NP) Re-allocated MikroBUS socket #2 (avoiding the QSPI-RAM GPIOs)
	08/Oct/2018	Added N.P. connector (J8, bottom) carrying GPIOs P0_0 to P0_5 Added testpoints (TP49, TP50) for SWDIO, SWCLK Changed C27, C28 to 10uF/0402
B0.0	25/Oct/2018	Released to internal review
B1.0	12/Nov/2018	Released to manufacturing
B1.1	27/Nov/2018	Updated layout files (some mask issues, added note for USB cutout) Changed default power to VBUS (Jumper shunt moved from J3 to J2)
C0	13/Dec/2018	Change power supply to MikroBus sockets from VBUS to VBUS_OUT Add R58 (0 ohm) for supplying QSPI Flash from V18P Released to manufacturing

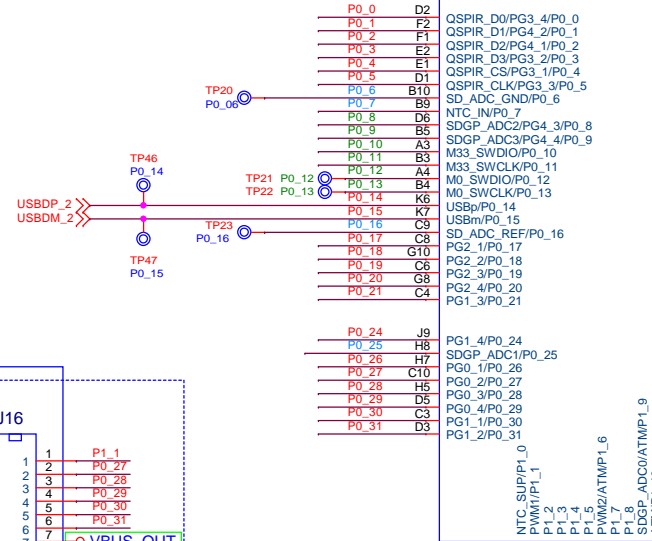
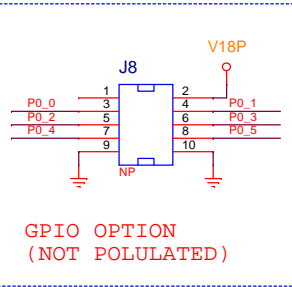
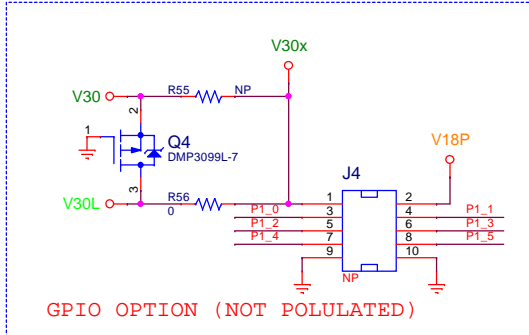
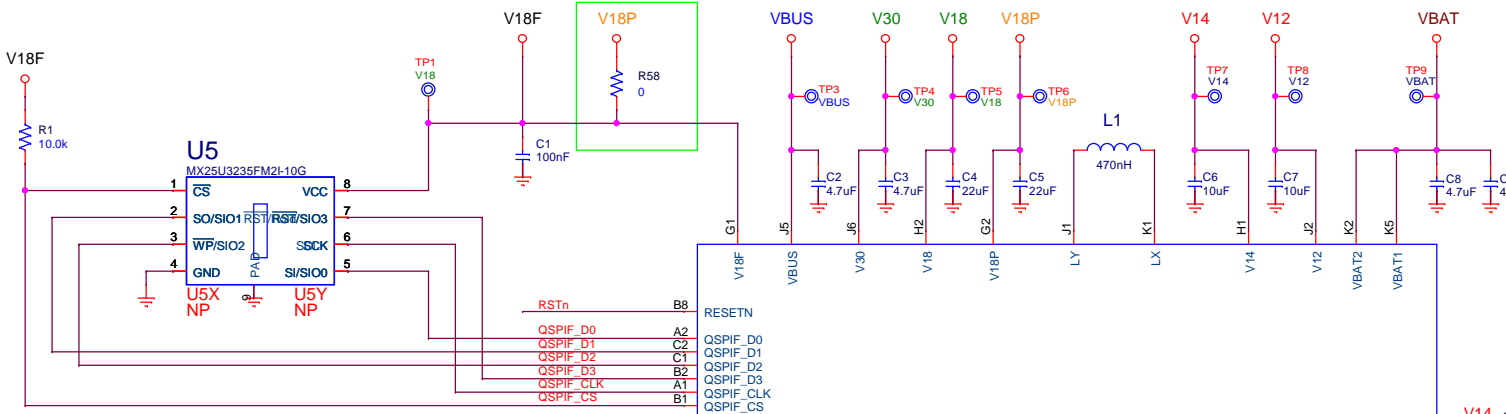
Configuration note

NOTE box

Changes in this Version.

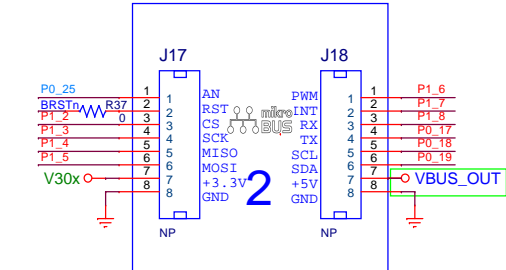
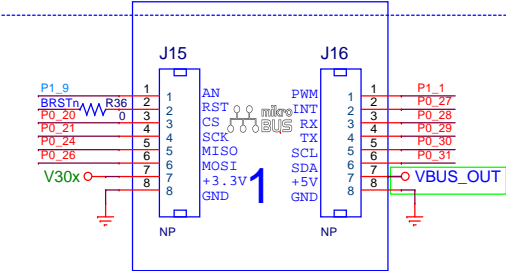
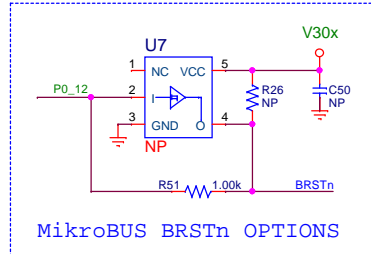
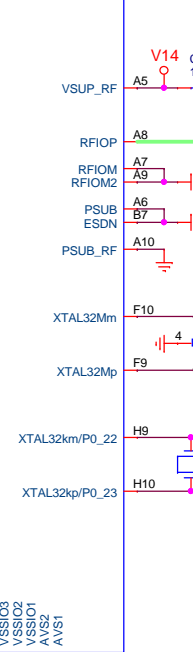



 Dialog Semiconductor
 N.E.O. Patron-Athinon 15
 26441, Patras, Greece
 tel. (+30) 2610390940
 fax. (+30) 2610390941

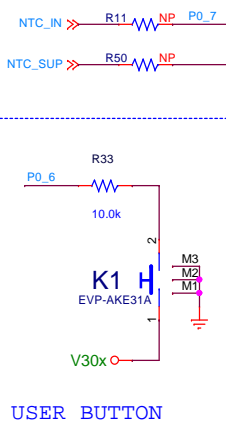


U1

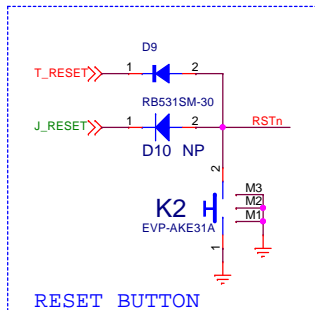
DA14695-VFBGA86



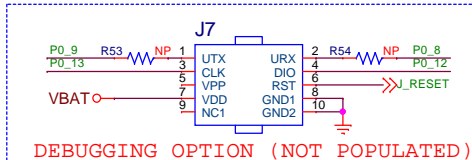
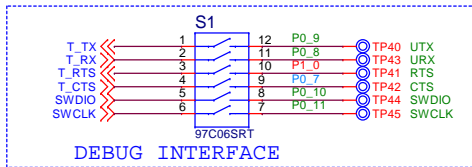
MikroBUS SOCKETS (NOT POPULATED)



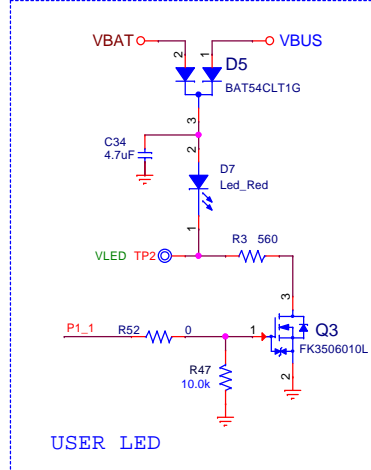
USER BUTTON



RESET BUTTON

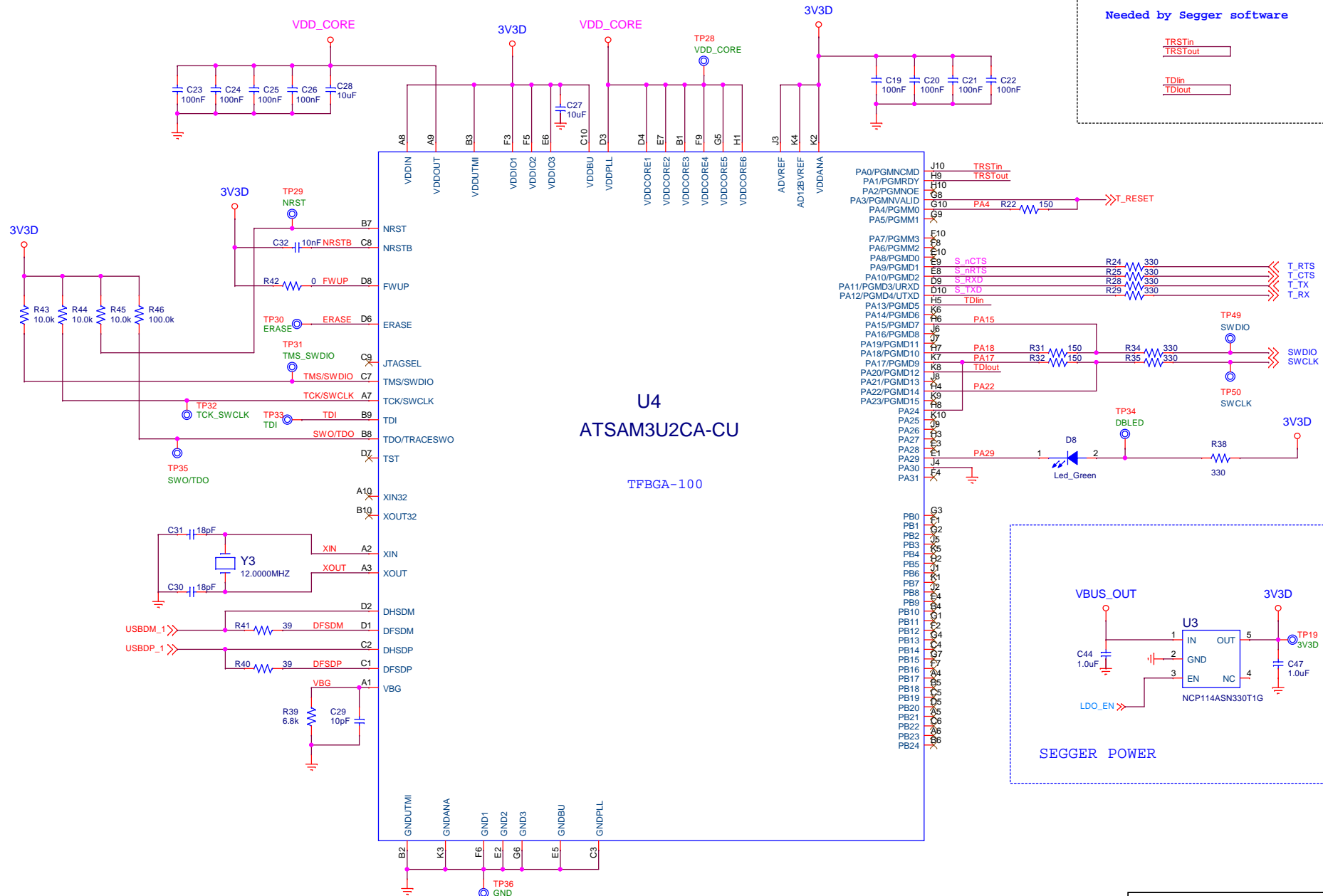


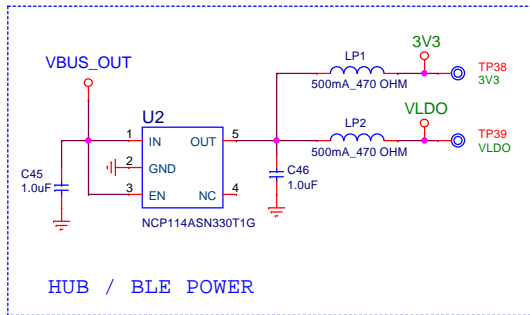
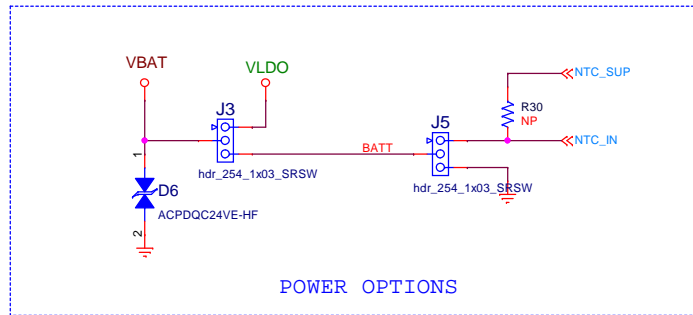
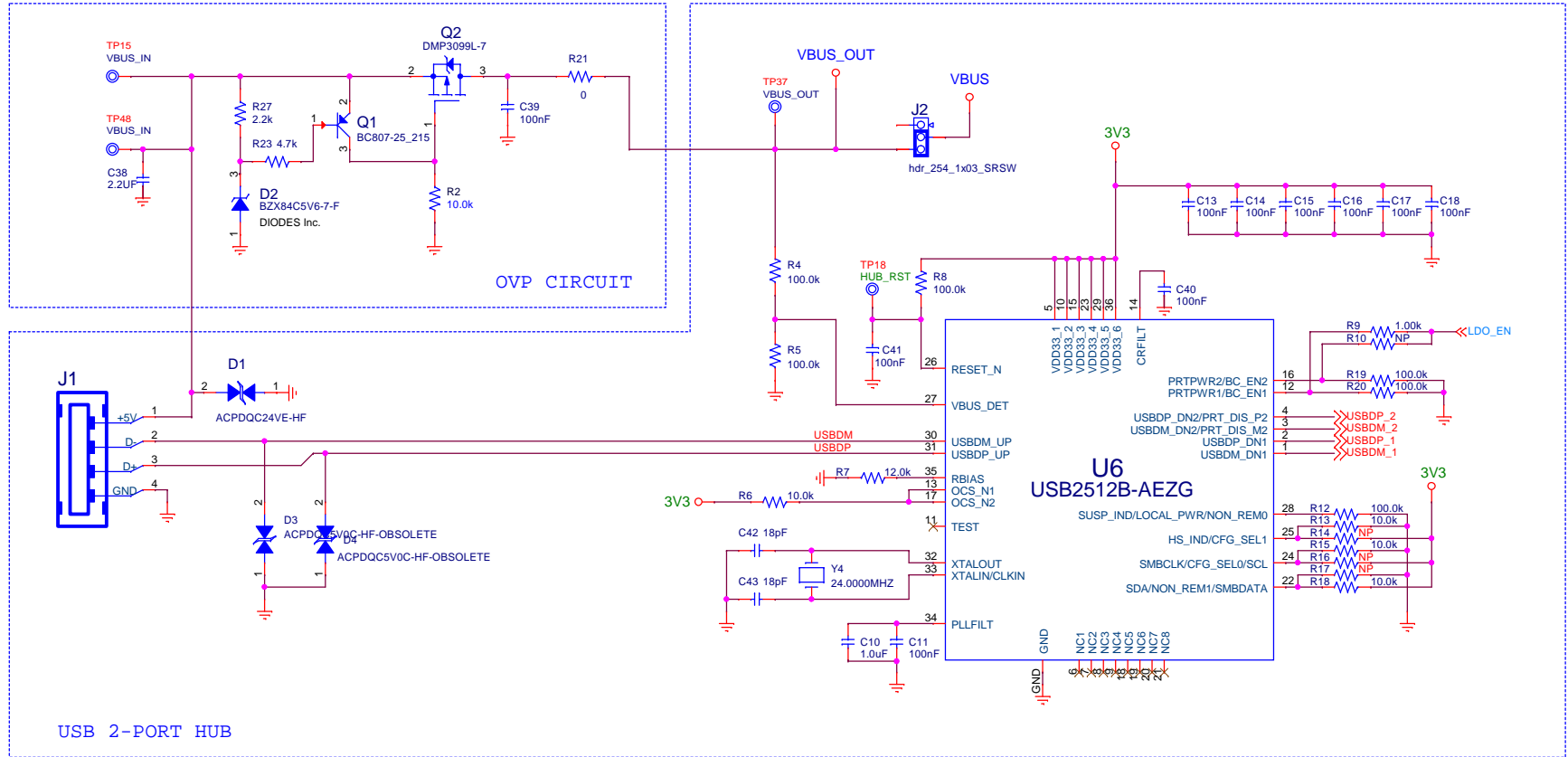
DEBUGGING OPTION (NOT POPULATED)



USER LED







Dialog Semiconductor
 N.E.O. Patron-Athion 15
 26441, Patras, Greece
 tel. (+30) 2610390940
 fax. (+30) 2610390941