

DA9053

U1-A
DA9053

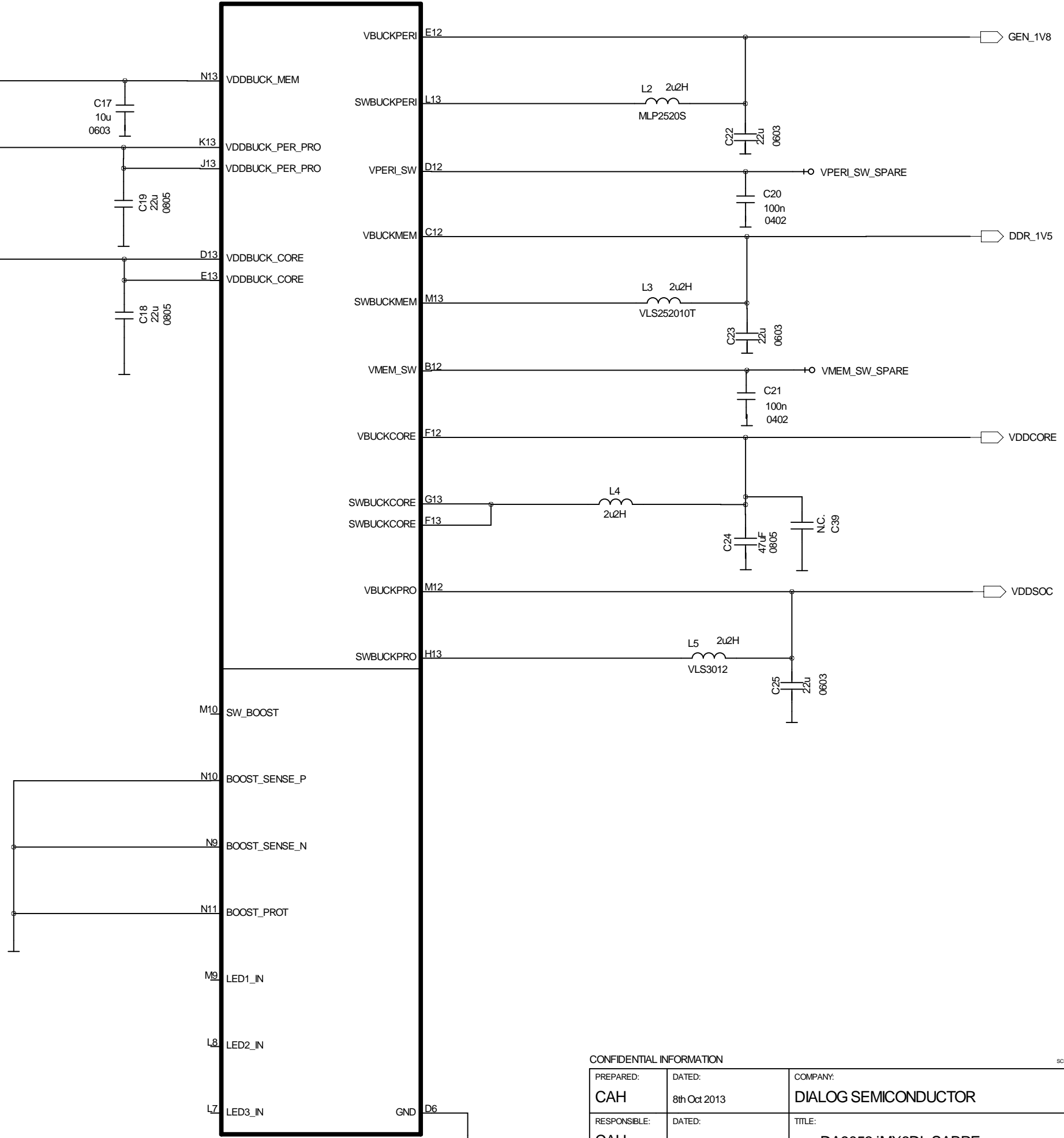
CONFIDENTIAL INFORMATION

SCHEMATIC TEMPLATE REV PA1 (Mar 13, 2002) DIALOG DOCUMENT NUMBER 31-902-03

PREPARED: CAH	DATED: 8th Oct 2013	COMPANY: DIALOG SEMICONDUCTOR	
RESPONSIBLE: CAH	DATED: 8th Oct 2013	TITLE: DA9053 iMX6DL SABRE	
SHEET NAME: LDO		DRAWING NO: 44-179-115-09-A	REV: 1
		PAGE: 1 of 6	



[1.3.5] VDDOUT



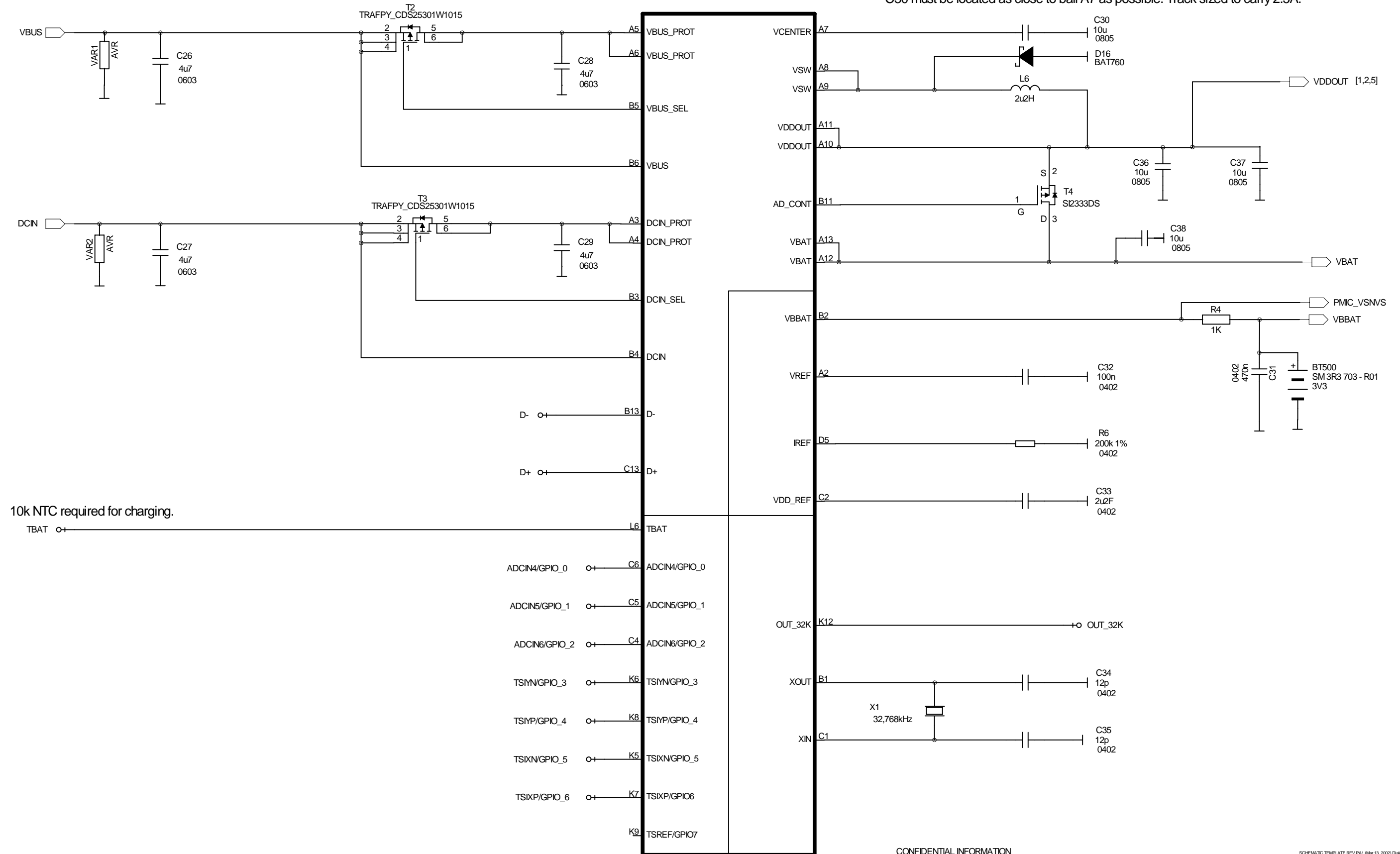
U1-B
DA9053

CONFIDENTIAL INFORMATION

SCHEMATIC TEMPLATE REV PA1 (Mar 13, 2002) Dialog doc number 31-902-03

PREPARED: CAH	DATED: 8th Oct 2013	COMPANY: DIALOG SEMICONDUCTOR	
RESPONSIBLE: CAH	DATED: 8th Oct 2013	TITLE: DA9053 iMX6DL SABRE	
SHEET NAME: BUCK_BOOST_BACKLIGHT	DRAWING NO: 44-179-115-09-A	REV: 1	PAGE: 2 of 6

C30 must be located as close to ball A7 as possible. Track sized to carry 2.5A.



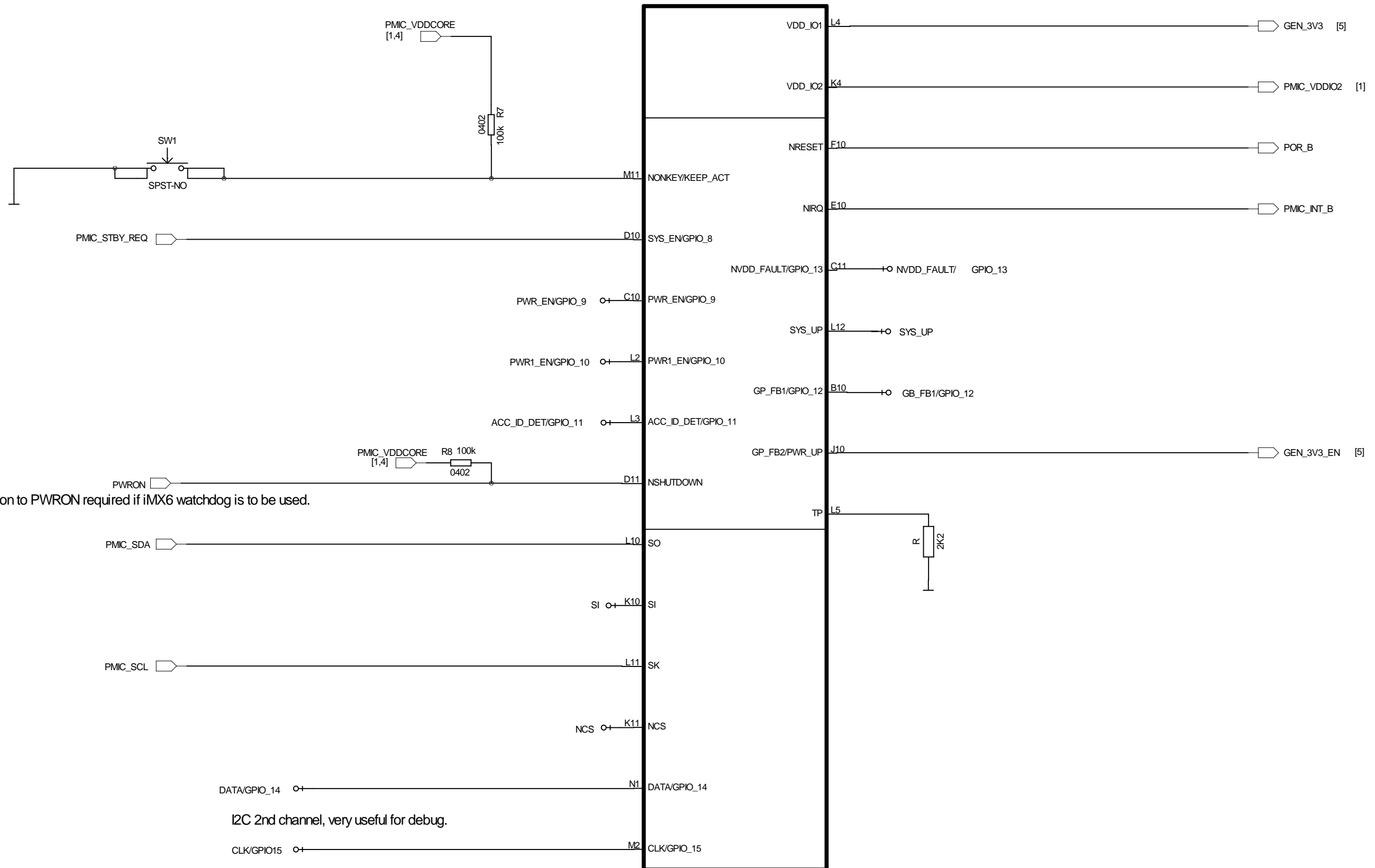
10k NTC required for charging.
TBAT

U1-C
DA9053

CONFIDENTIAL INFORMATION			
PREPARED: CAH	DATED: 8th Oct 2013	COMPANY: DIALOG SEMICONDUCTOR	
RESPONSIBLE: CAH	DATED: 8th Oct 2013	TITLE: DA9053 IMX6DL SABRE	
SHEET NAME: CHARGER_ADC_REF		DRAWING NO: 44-179-115-09-A	REV: 1
			PAGE: 3 of 6

SCHEMATIC TEMPLATE REV PA1 (Mar 13, 2002) Dialog doc number 31-902-03




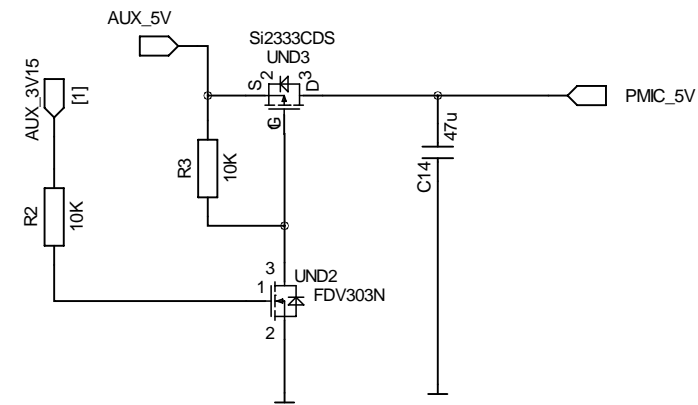
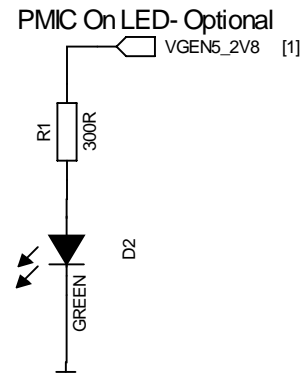


U1-D
DA9053

CONFIDENTIAL INFORMATION

SCHEMATIC TEMPLATE REV PA1 (Mar 13, 2002) Dialog doc number 31-902-03

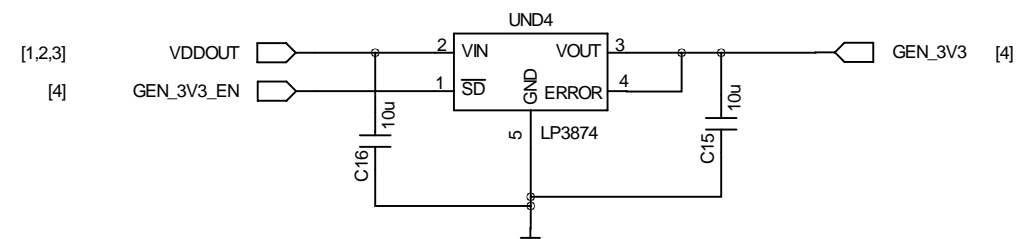
PREPARED: CAH	DATED: 8th Oct 2013	COMPANY: DIALOG SEMICONDUCTOR	
RESPONSIBLE: CAH	DATED: 8th Oct 2013	TITLE: DA9053 iMX6DL SABRE	
SHEET NAME: DIGITAL	DRAWING NO: 44-179-115-09-A	REV: 1	PAGE: 4 of 6



Note: this schematic uses AUX_5V for the 5V rail.

The 5V boost should be chosen to meet the max current requirements.
In batteryless applications this could be connected to the 5V input DCIN.

Ext 3V3 regulator



In this implementation an LDO has been used.
For improved efficiency this should be replaced with a buck.

CONFIDENTIAL INFORMATION

SCHEMATIC TEMPLATE REV PA1 (Mar 13, 2002) Dialog doc number 31-902-03


PREPARED: CAH	DATED: 8th Oct 2013	COMPANY: DIALOG SEMICONDUCTOR	
RESPONSIBLE: CAH	DATED: 8th Oct 2013	TITLE: DA9053 iMX6DL SABRE	
SHEET NAME: EXTRAS		DRAWING NO: 44-179-115-09-A	REV: 1
		PAGE: 5 of 6	



REV	WHEN	WHO	WHAT
A	08th Oct 2013	CAH	Initial schematic for use with iMX6DL SABRE board schematic.

CONFIDENTIAL INFORMATION

SCHEMATIC TEMPLATE REV PA1 (Mar 13, 2002) DIALOG DOCUMENT NUMBER 31-902-03

PREPARED: CAH	DATED: 8th Oct 2013	COMPANY: DIALOG SEMICONDUCTOR		
RESPONSIBLE: CAH	DATED: 17th June 2010	TITLE: DA9053 iMX6DL SABRE		
SHEET NAME: REVISION INFO		DRAWING NO: 44-179-115-09-A	REV: 1	PAGE: 6 of 6