

SCHEMATIC TEMPLATE REV.xdxd_V7 (01-06-2017)		SIZE <b>A3L</b>	TITLE: DA9070 / 73 demo board VARIANT: Master Sch no Var defined	
DESIGNED BY: Allan Fisher Harald Bernrader-Hauns	SAVED DATE:	DRAWING No: <b>320-30-A1</b>		
REVIEWED BY: AF, GC SO, HT, NU, KY, KH	REVIEWED DATE: 11/04/2018	SHEET NAME: <b>Power</b>	PAGE: 2 of 3	

A

B

C

D

E

F

1

1

2

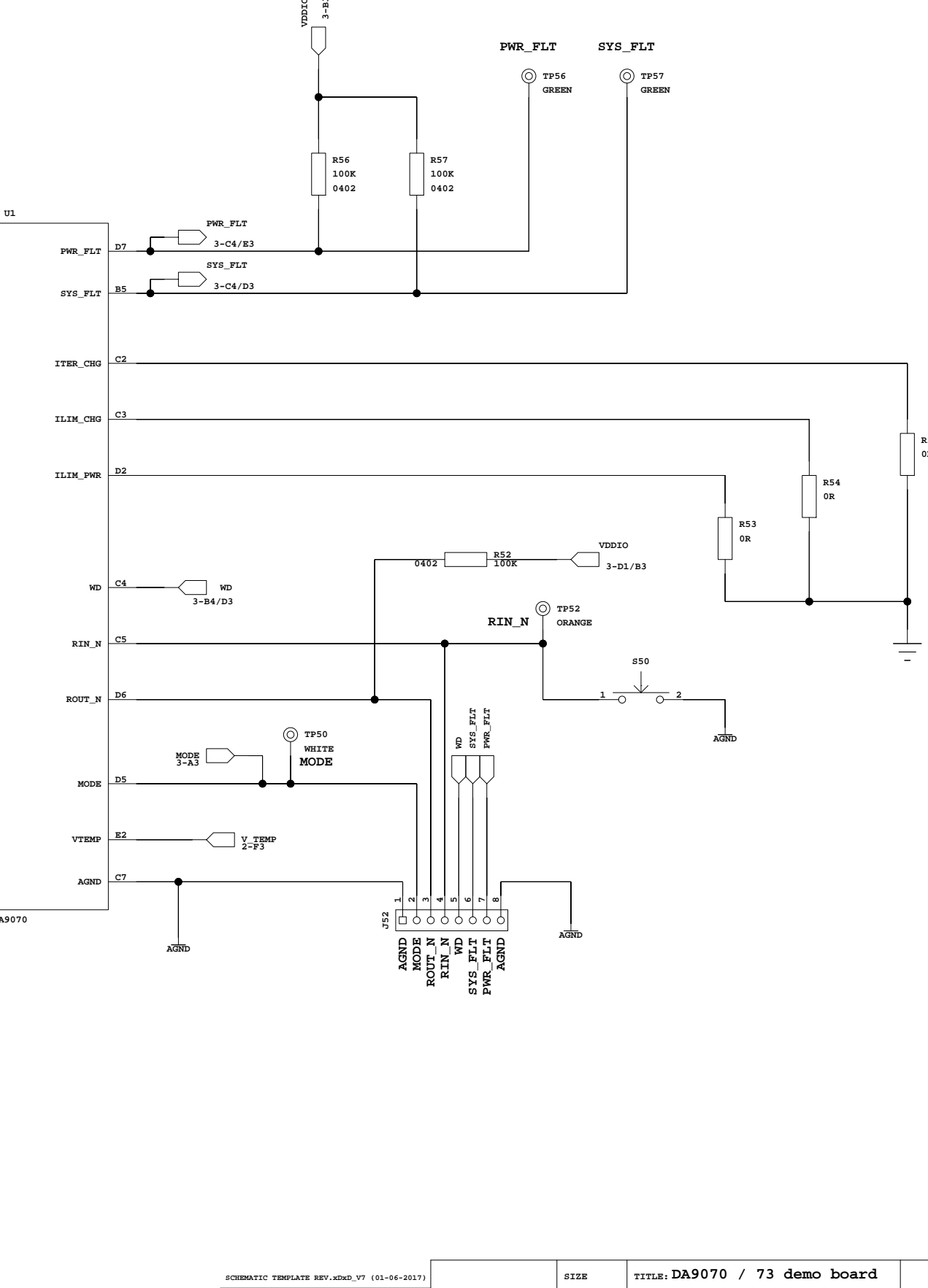
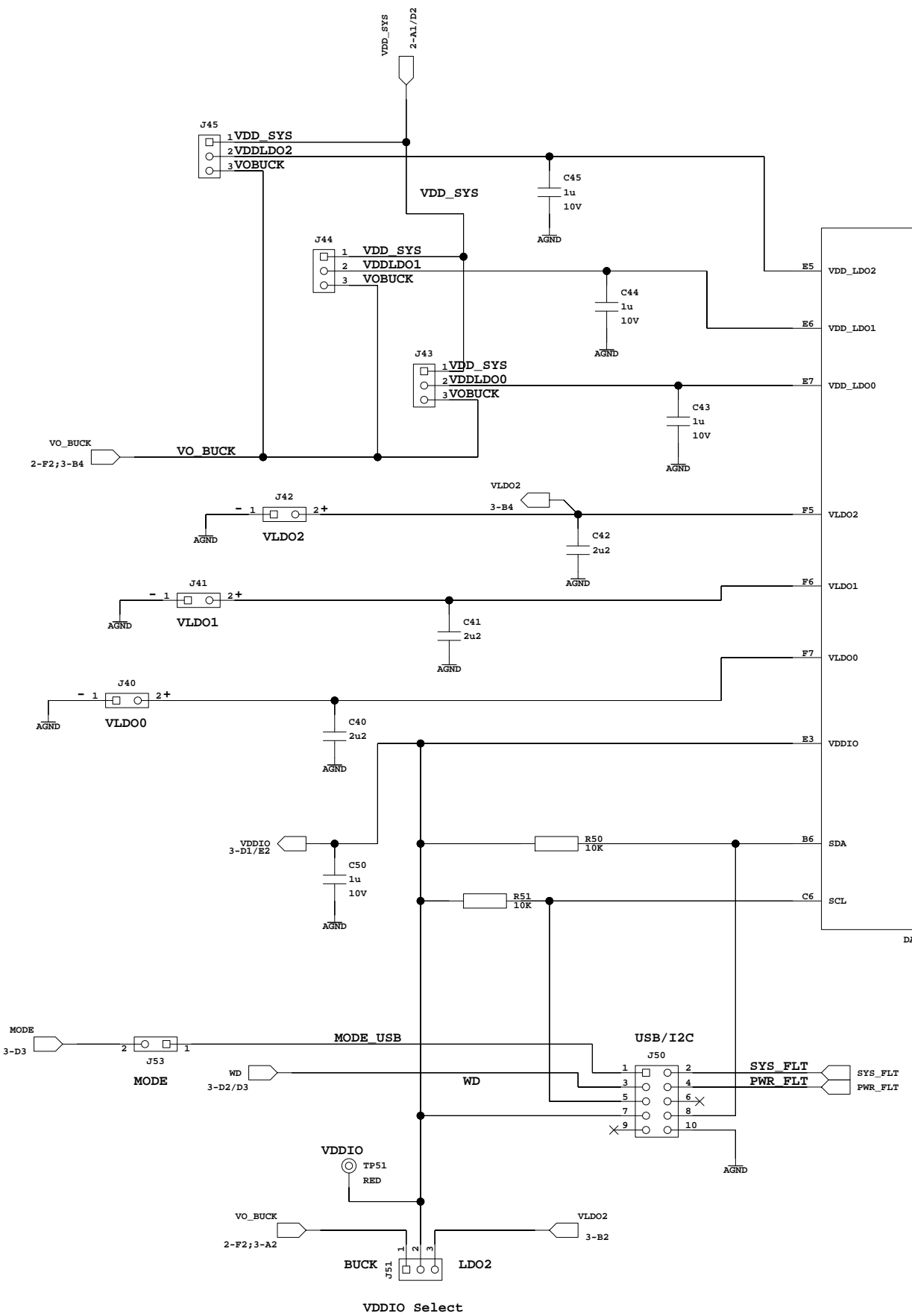
2

3

3

4

4



SCHEMATIC TEMPLATE REV.XDXD\_V7 (01-06-2017)

DESIGNED BY:  
Allan Fisher  
Harald Bernrader-Hauns

REVIEWED BY:  
AF, GC  
SO, HT, NU, KY, KH

SAVED DATE:

REVIEWED DATE:  
11/04/2018

SIZE  
**A3L**

TITLE: DA9070 / 73 demo board  
VARIANT: Master Sch no Var defined  
**320-30-A1**

DRAWING No:  
SHEET NAME:  
**LDOS**

dialog  
SEMICONDUCTOR

PAGE: 3 of 3

A

B

C

D

E

F