

DA14580 Reference Design

Design Name	DA14580_RD_QFN40_FEM_MODULE_vC
Ref. Number	078-56-C
Version	C1
Date	September, 02, 2015
Designer	

History Table		
Version	Date	Comments
A	28 /Sept / 2014	Initial Schematic
B	04 /Jan / 2015	Remove signal BJT inverter, add extra control signal Remove L2,C10, change C4 to NP, change C8 to 10pf
C	01 /Apr / 2015	CHANGE POWER AMP TO SKY66111, CHANGE RBIAS NETWORK
C1	02 /Sept / 2015	CHANGE RBIAS VALUE=3.3K


Configuration note

NOTE box

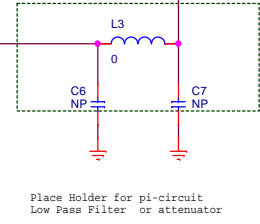
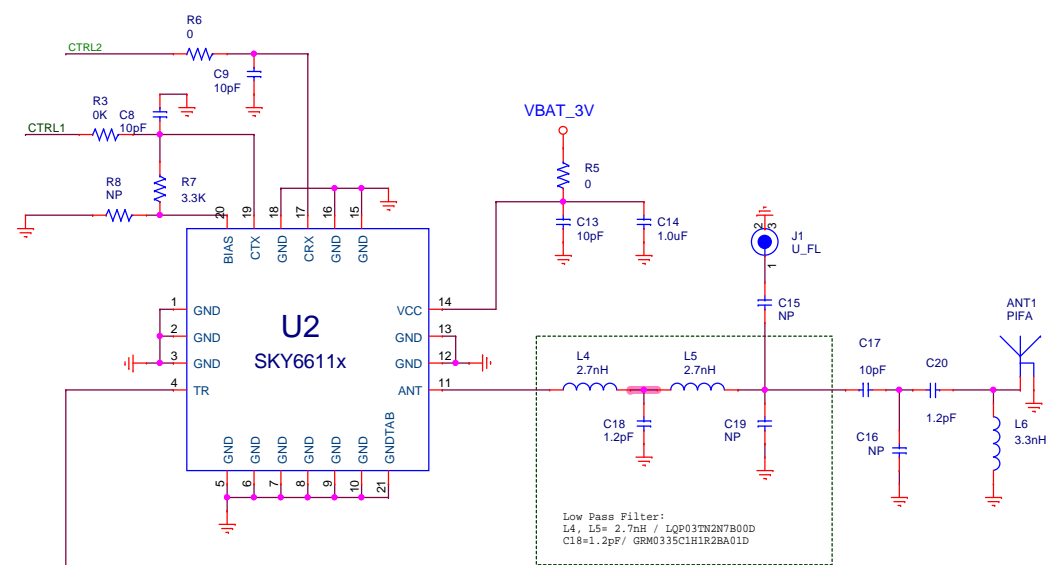
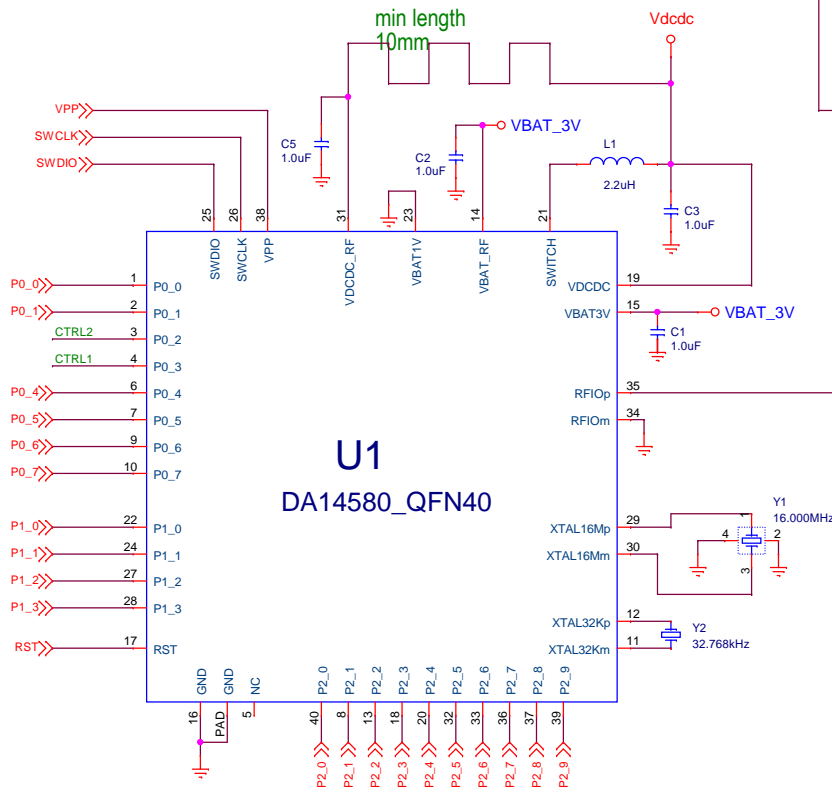
Changes in this Version.

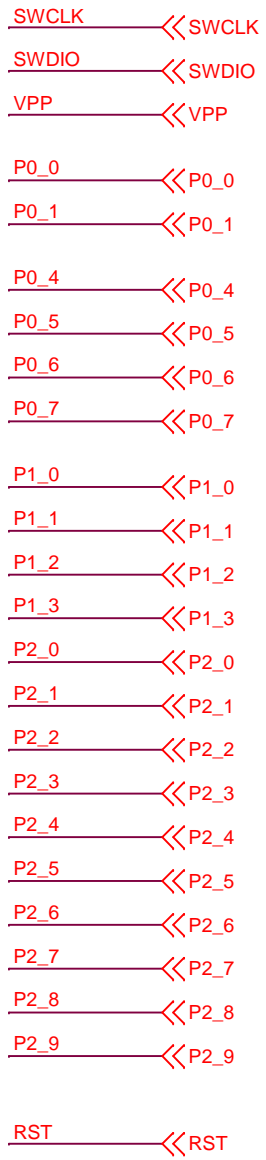
—⊙ TP1 FIDUCIAL

—⊙ TP2 FIDUCIAL

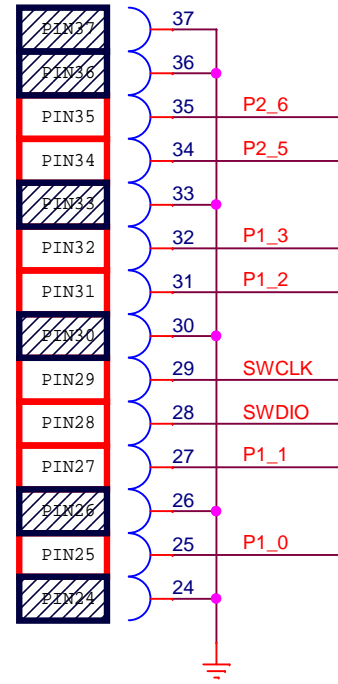
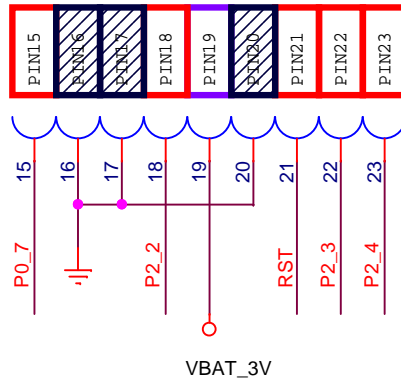
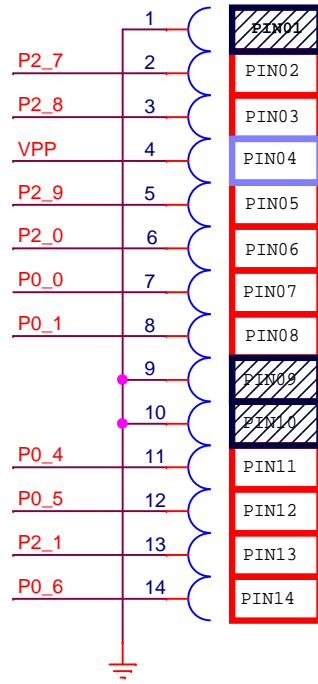
		Dialog Semiconductor 52-54 Kalabriton Str. 26335, Patra, Greece tel. (+30) 2610390940 fax. (+30) 2610390941
Title : DA14580_RD_QFN40_FEM_MODULE_vC		
Doc. Nr. 078-56-C	Designer: KL	Rev: C1
Date: Friday, September 18, 2015	Sheet: 1	of 3

Configuration of RBIAS network for SKY6611x variants	
SKY66110	SKY66111
R3 is the bias resistor, R7 is not placed, and R8 is 0 Ohm.	R3 is 0 Ohm, R7 is the bias resistor, and R8 is not placed.





UTX
 URX



Dialog Semiconductor
 52-54 Kalabriton Str.
 26335, Patra, Greece
 tel. (+30) 2610390940
 fax. (+30) 2610390941