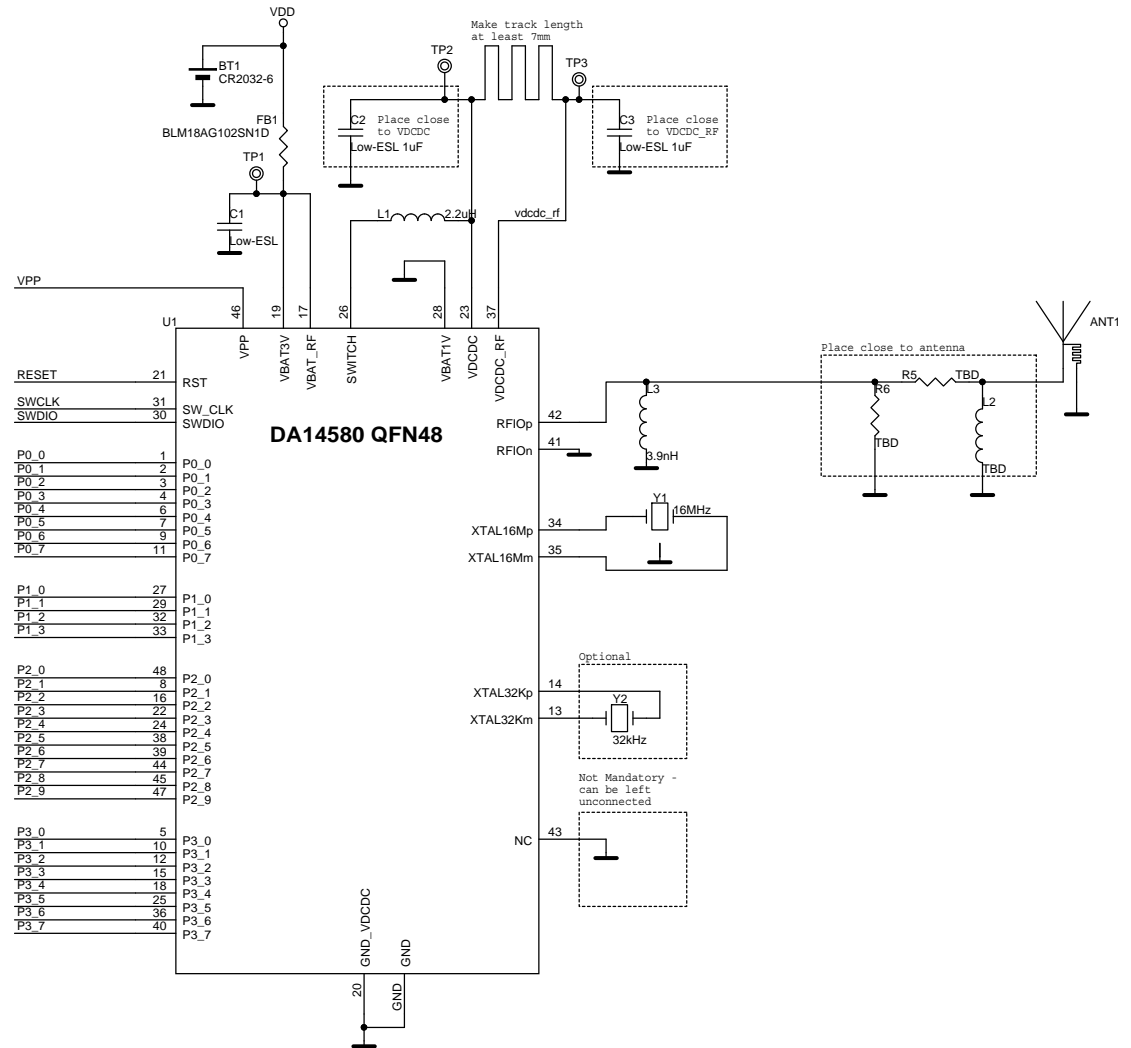


Card Edge Connector (PCI-E)



DA14580 Circuit

SC14580_QFN48

