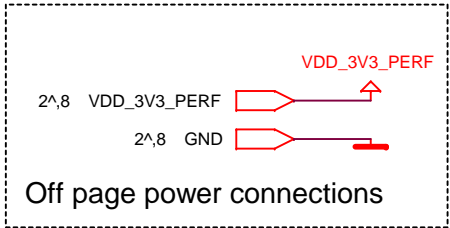
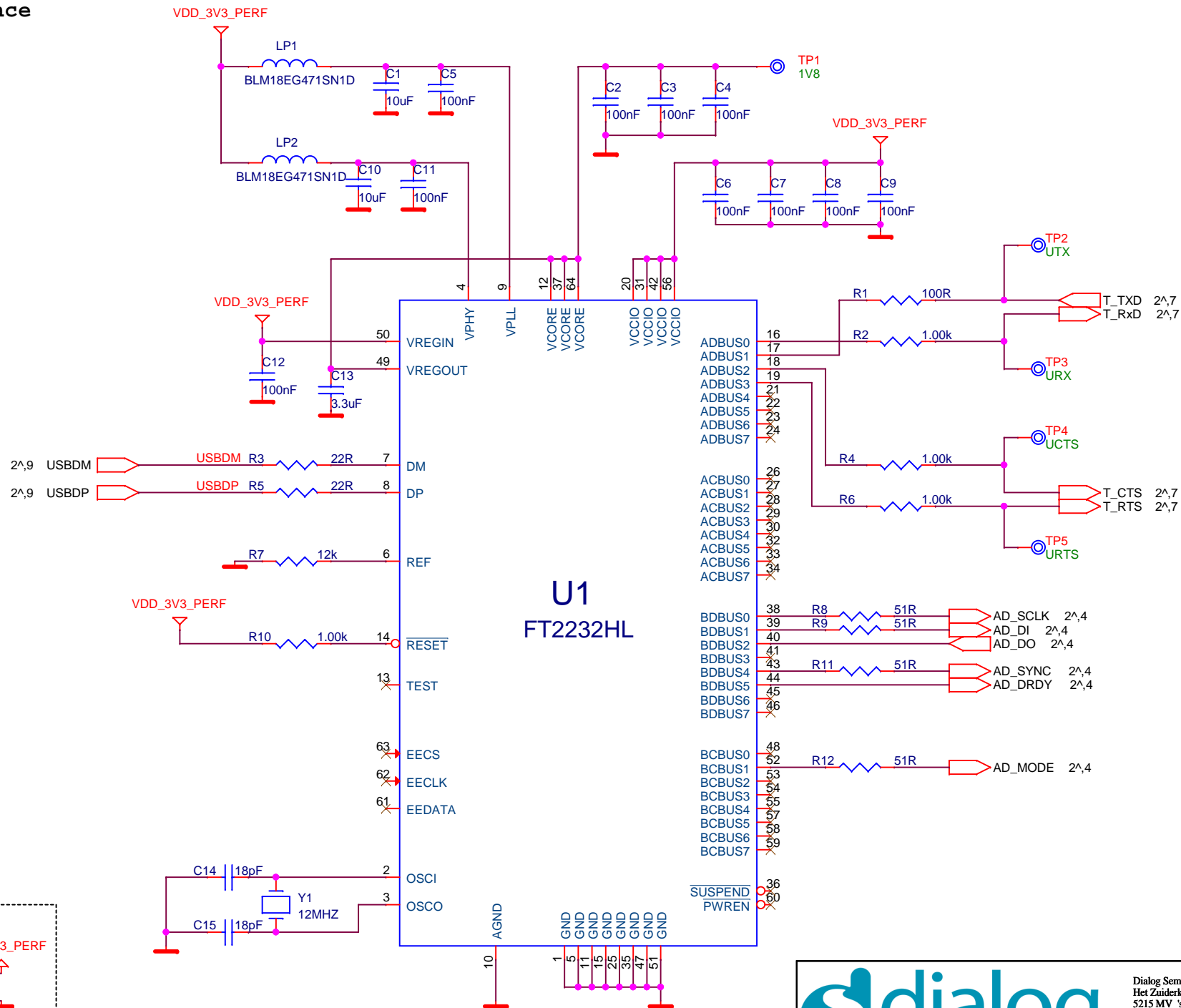


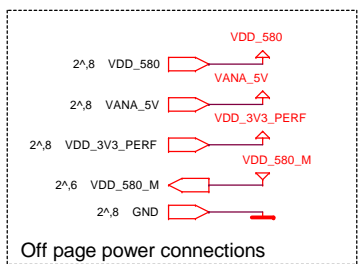
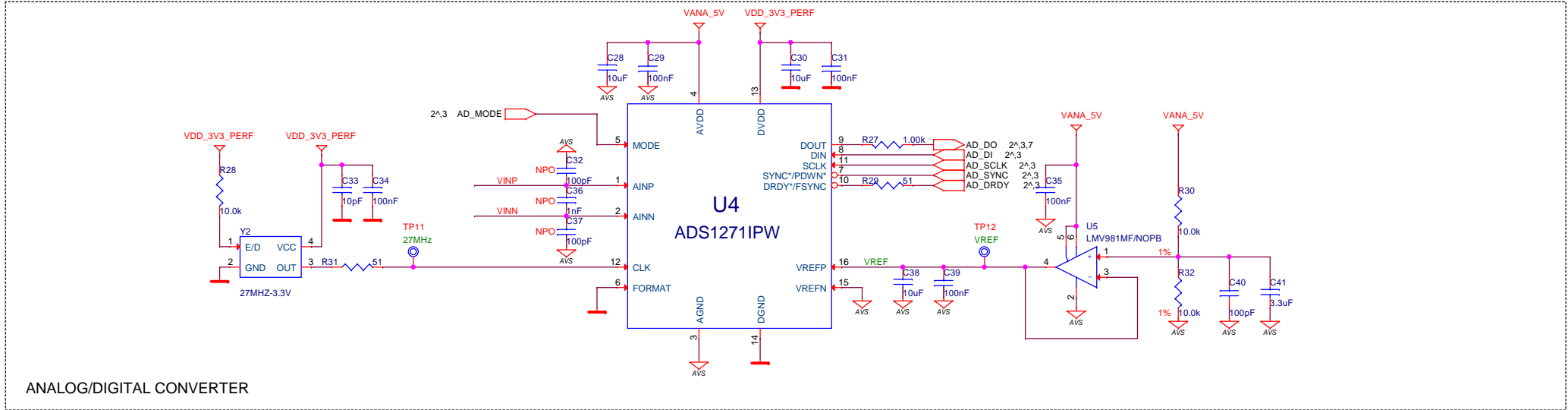
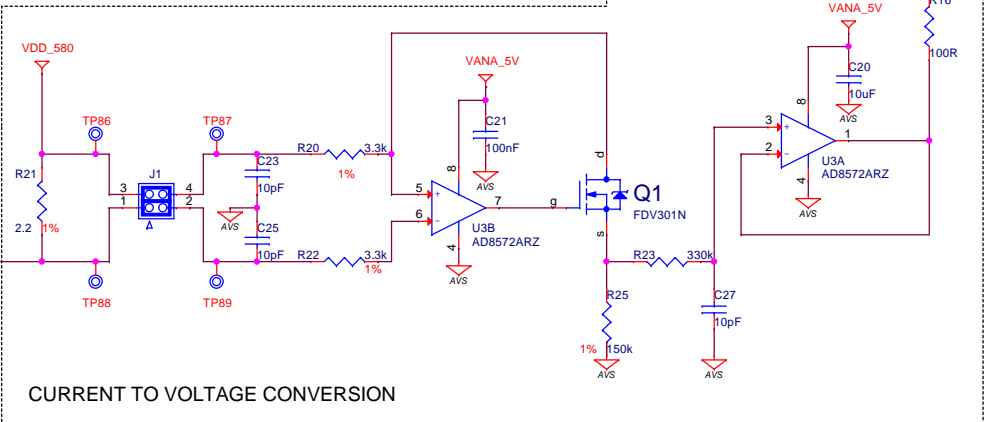
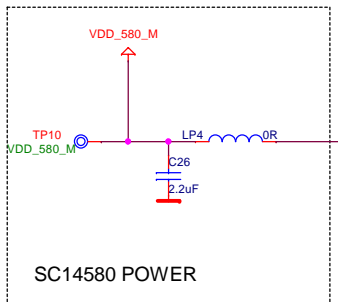
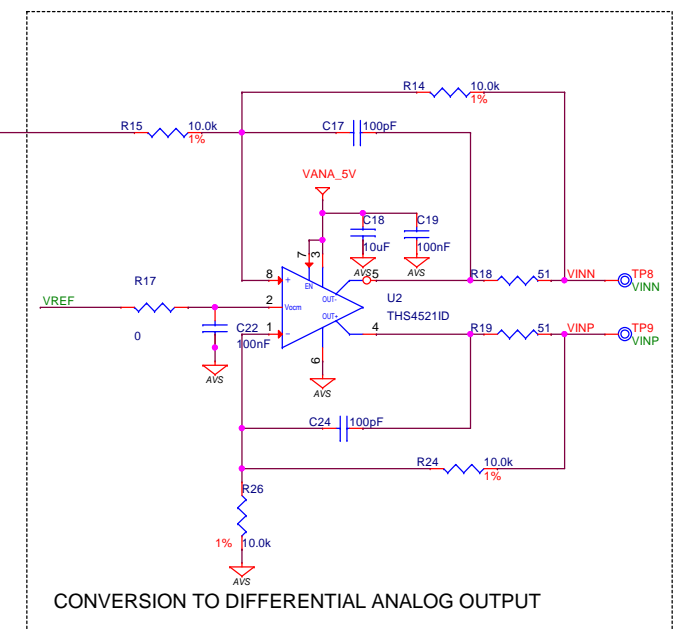
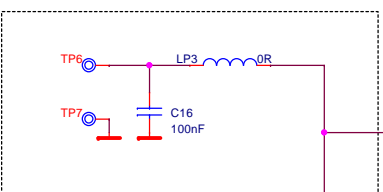
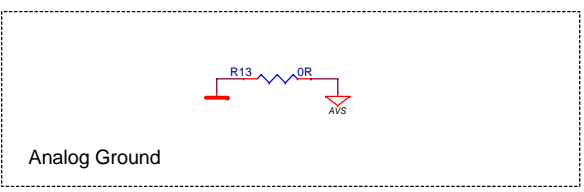
Title: <b>DA14580DEVKT-P</b>		<OrgName>	
Doc. Nr. 078-39-C	Designer: E.M. van Rijswijk	Rev: C	
Date: Tuesday, November 10, 2015	Sheet: 1	of 2	



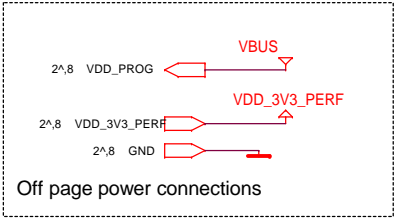
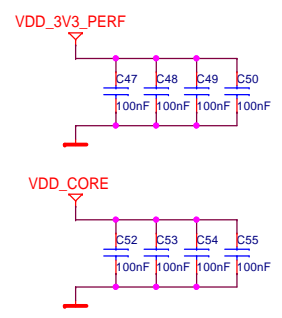
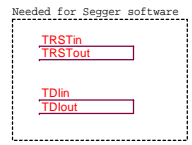
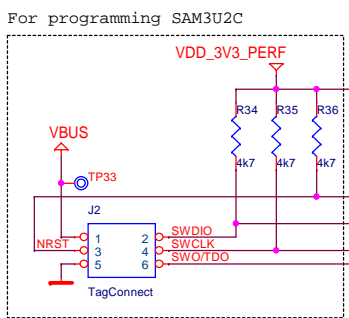
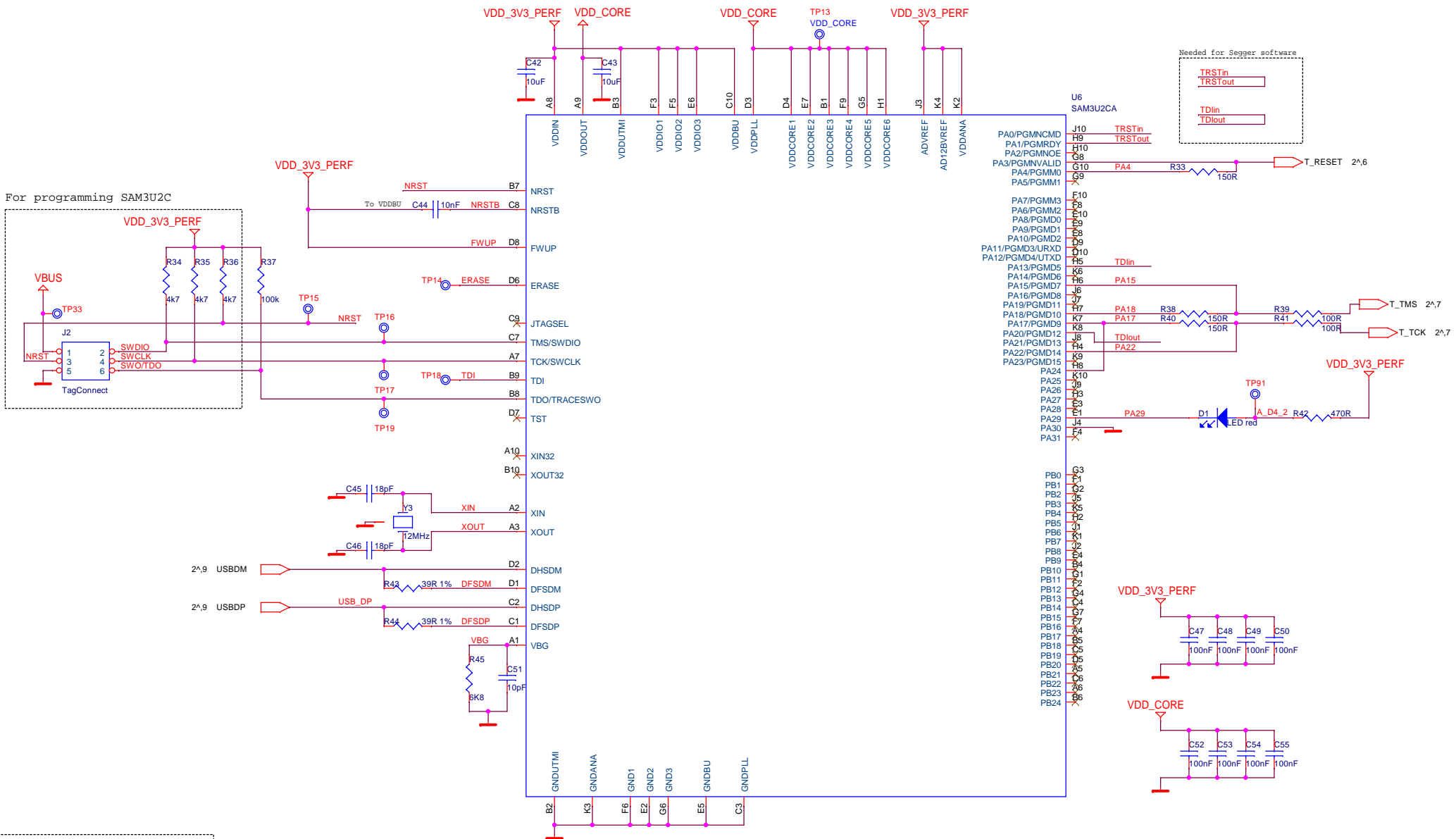
# SPI and Serial Interface

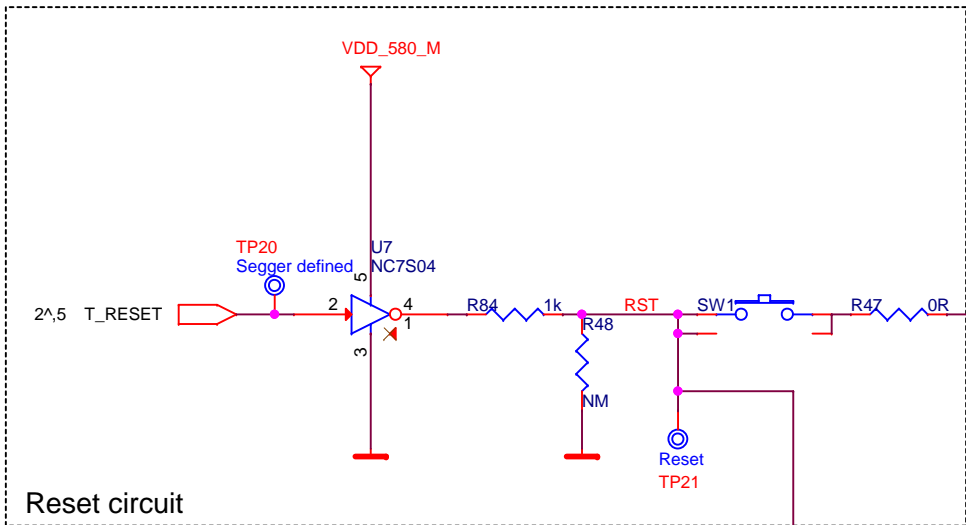


**Current Measurement**

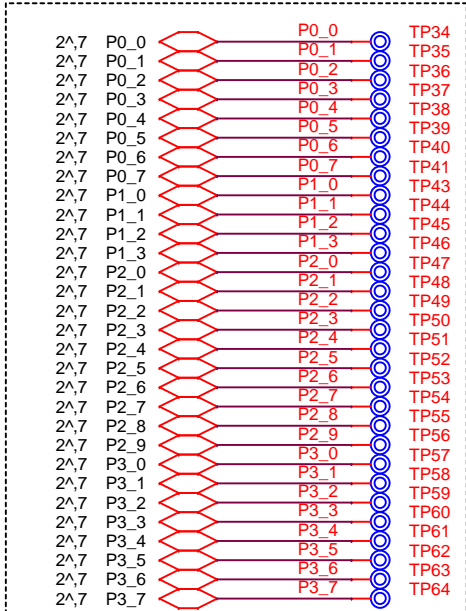


JTAG Interface

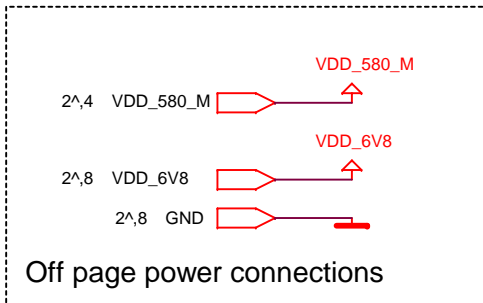




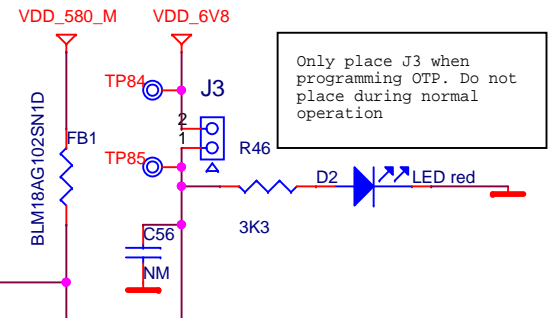
Reset circuit



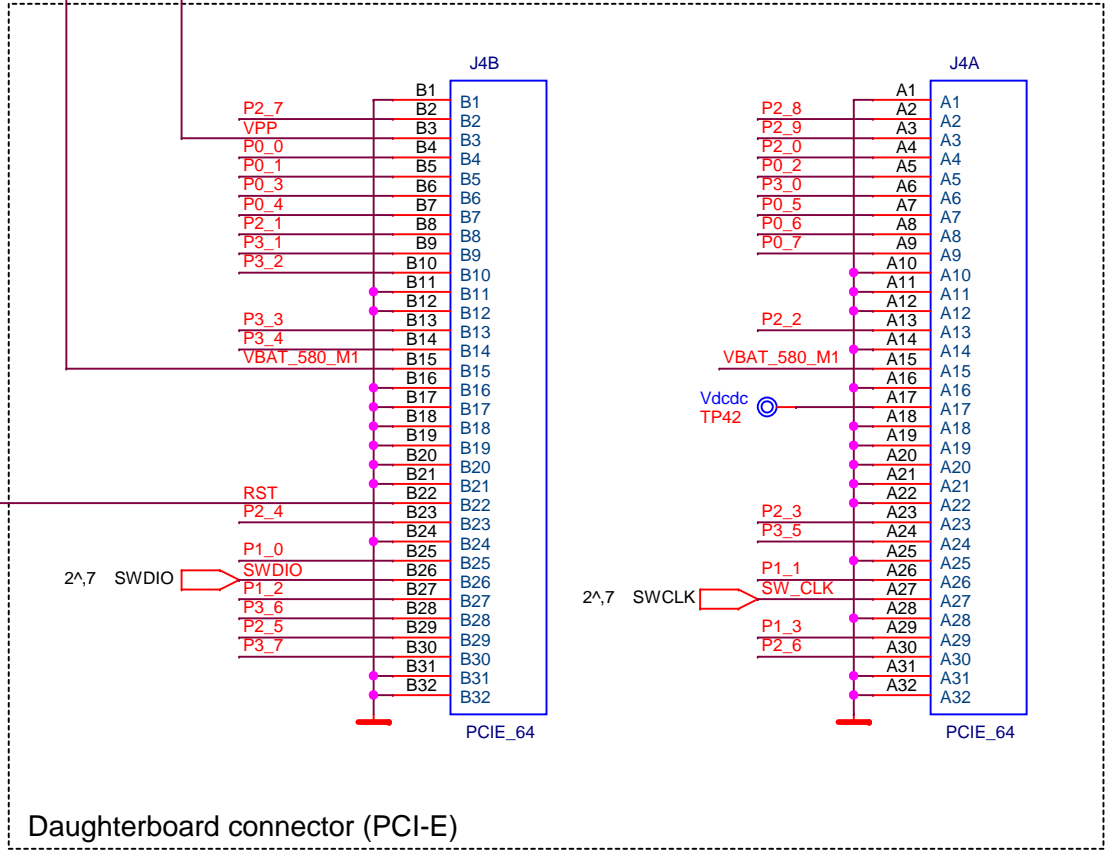
Off page GPIO connections



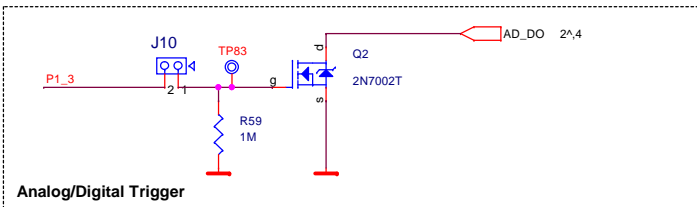
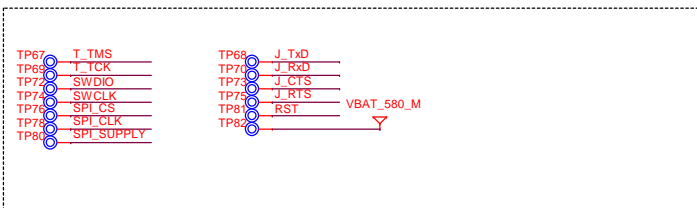
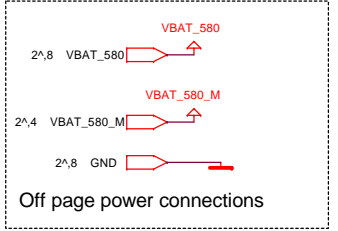
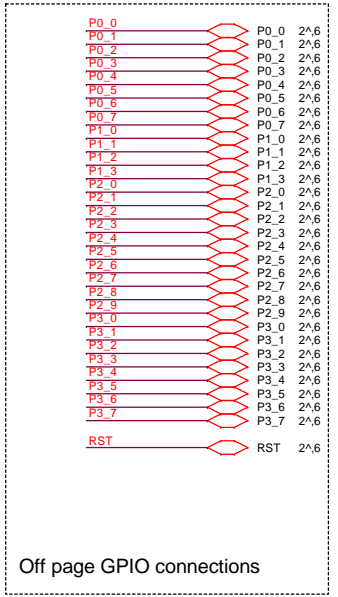
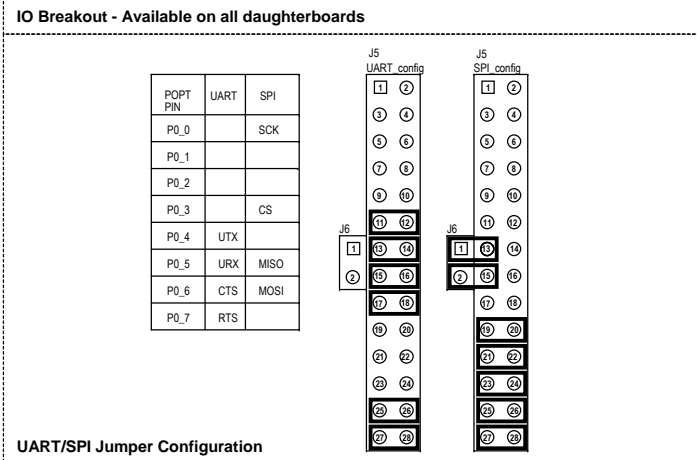
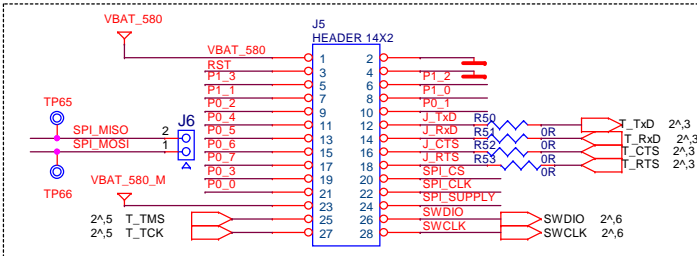
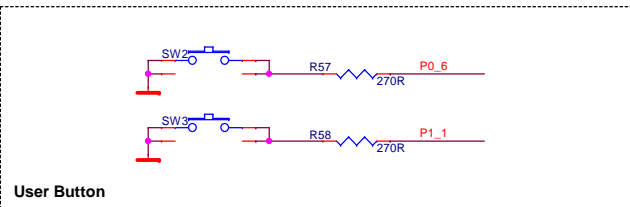
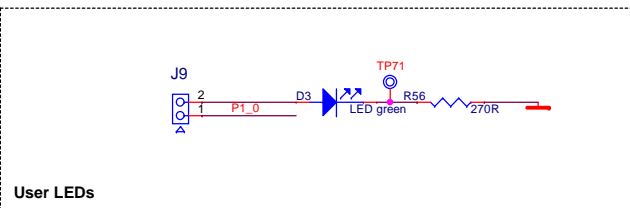
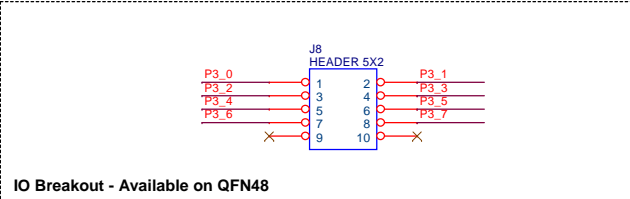
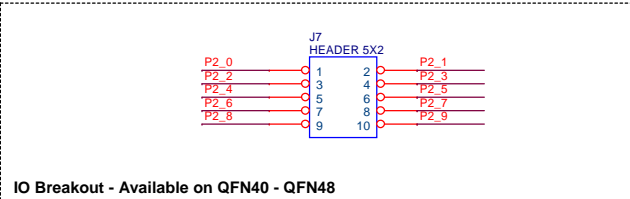
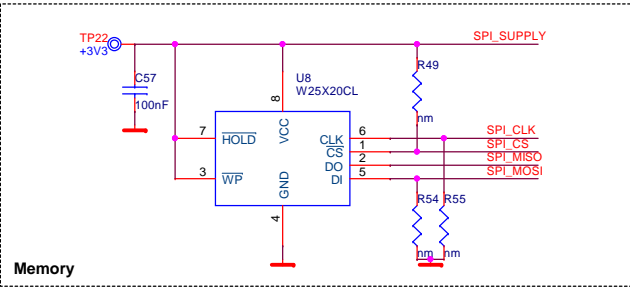
Off page power connections



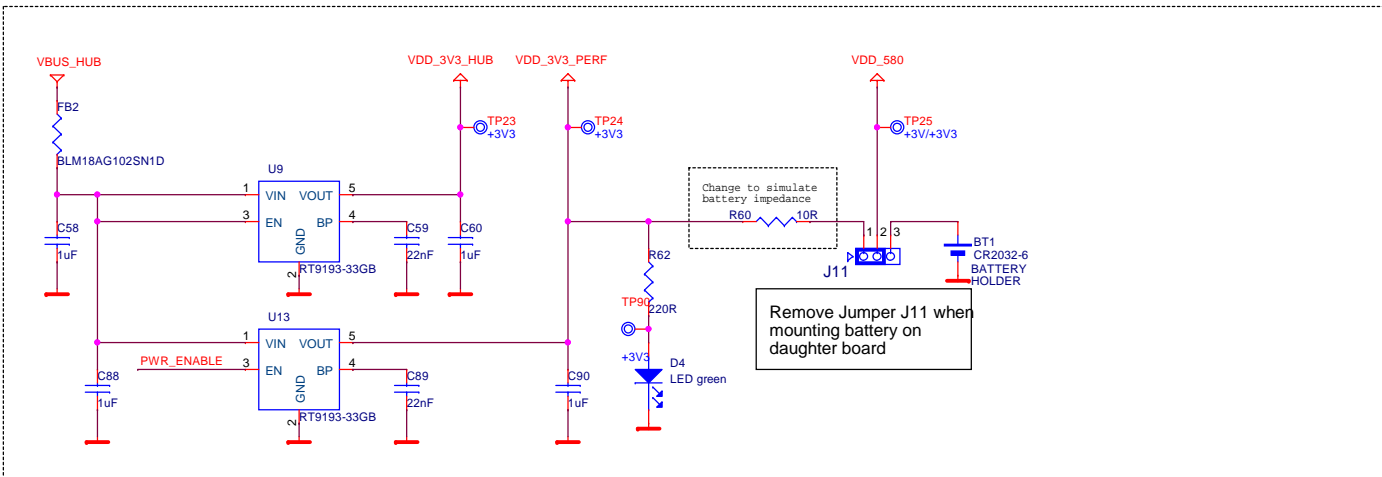
Daughterboard connector (PCI-E)



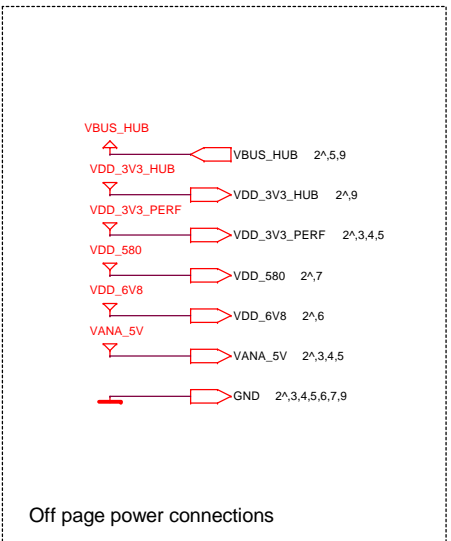
Peripherals



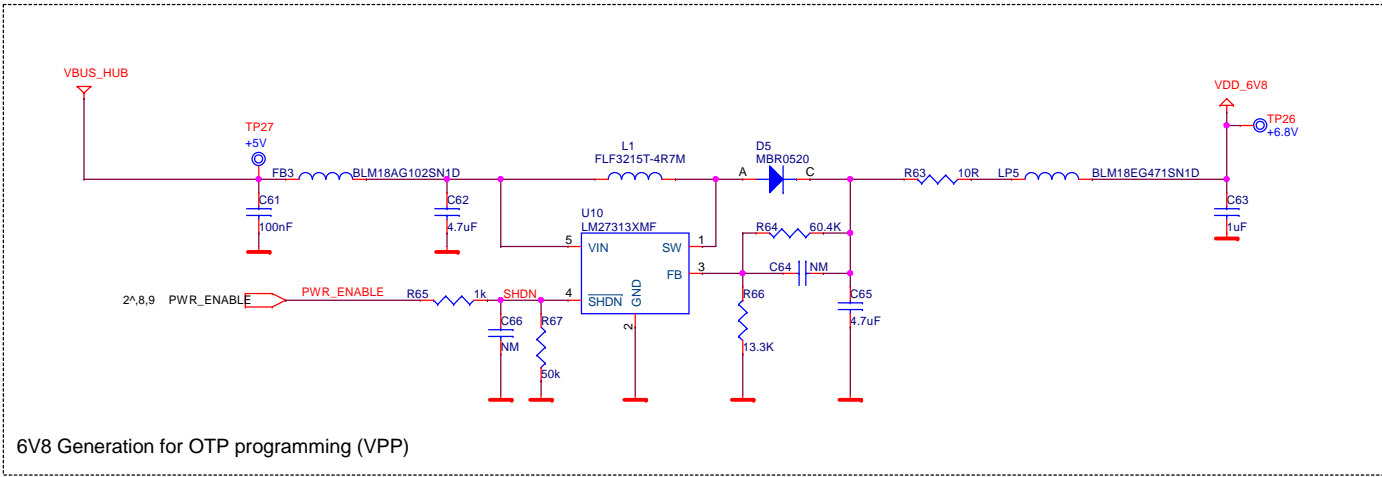
Power Supplies



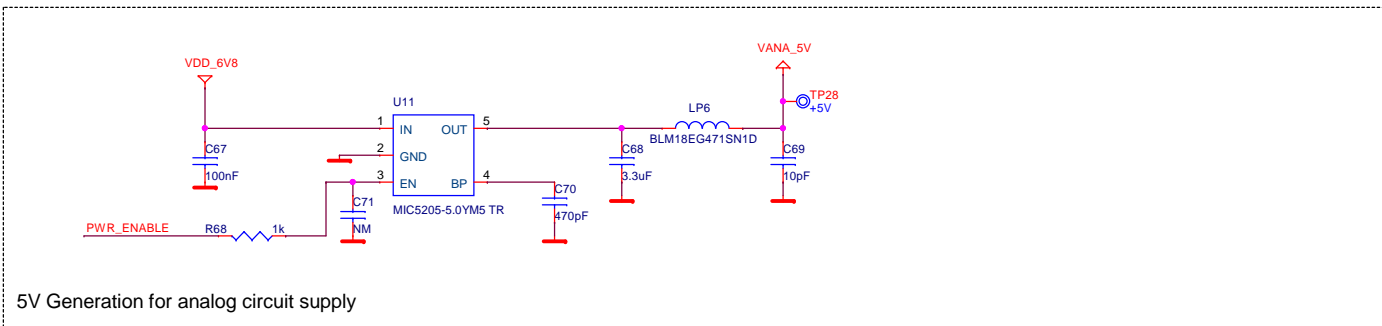
3V3 Generation and battery selection for DA14580 and Peripherals



Off page power connections



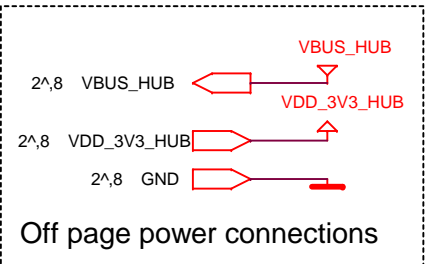
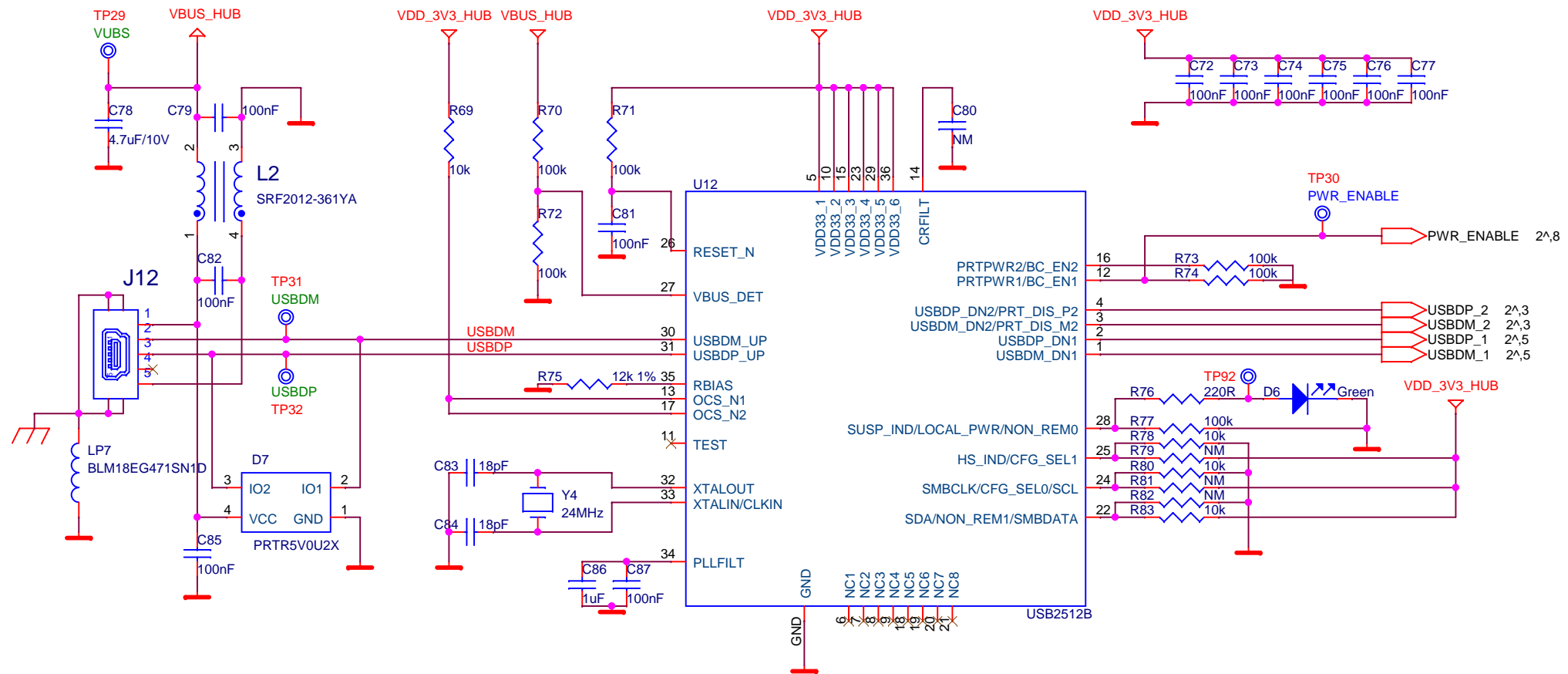
6V8 Generation for OTP programming (VPP)



5V Generation for analog circuit supply



# USB HUB Controller



**dialog**  
SEMICONDUCTOR

Dialog Semiconductor  
Het Zuiderkruis 53  
5215 MV 's-Hertogenbosch  
tel. (+31) 73 6408822  
fax. (+31) 73 6408823

Title : DA14580DEVKT-P		
Doc. Nr. 078-39-C	Designer: E.M. van Rijswijk	Rev:C
Date: Tuesday, November 10, 2015	Sheet: 9 of	9