

DA14585 Reference Design

Design Name	DA14585_WLCSP34_PRODB_VA1
Ref. Number	321-3-A1
Version	A01
Date	May 02 2017
Designer	PR KR

History Table		
Version	Date	Comments
A00	19 /Oct / 2016	Initial Schematic
A01	02 /May / 2017	1.R7 changed to 1Kohm 2.Xtall Y2 changed to TXC 9HT11-32.768KDZB-T (6pF)

Configuration note

NOTE box

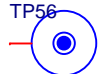
Changes in this Version.



Label_Dialog_L6008

TP11 FIDUCIAL

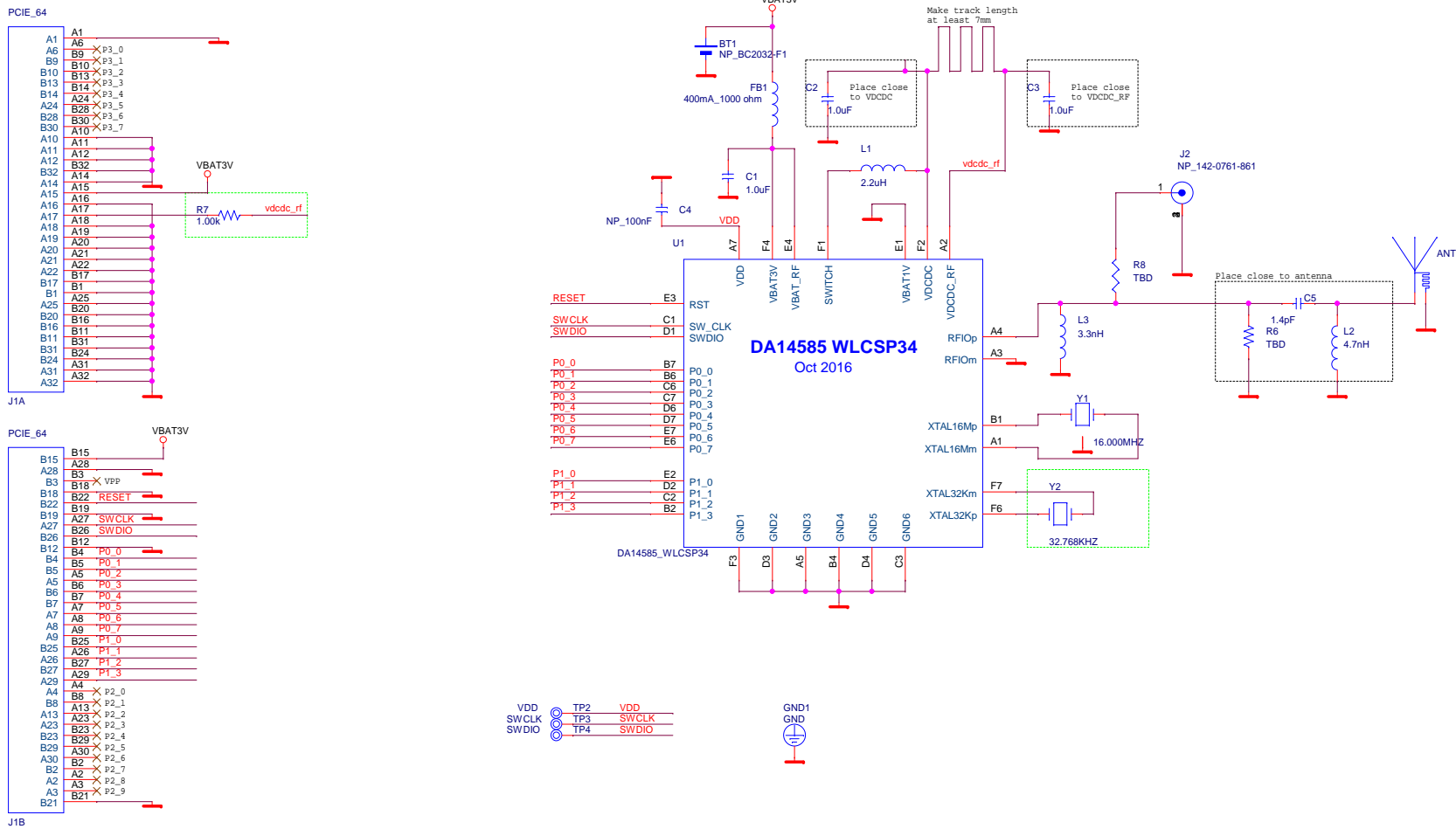
TP12 FIDUCIAL



PRISMA_PAD



Dialog Semiconductor
N.E.O. Athinon- Patron 15
26441, Patra, Greece
tel. (+30) 2610390940
fax. (+30) 2610390941



Card Edge Connector (PCI-E)



Dialog Semiconductor
 N.E.O. Athinon- Patron 15
 26441, Patra, Greece
 tel. (+30) 2610390940
 fax. (+30) 2610390941

Title : DA14585_WLCSP34_PRODB			
Doc. Nr.	Designer: PR	Rev: A	
Date: Friday, May 05, 2017	Sheet: 1	of 1	