

## Zero Power No-Load Off-Line Digital PWM Controller

### 1 Description

The iW1700 is a high performance AC/DC power supply controller which uses digital control technology to build peak current mode PWM flyback power supplies. The device together with an external active device (depletion mode NFET or NPN BJT) provides a fast start-up meanwhile achieving ultra-low no-load power consumption. The device directly drives a power BJT and operates in quasi-resonant mode to provide high efficiency along with a number of key built-in protection features while minimizing the external component count, simplifying EMI design and lowering the total bill of material cost. The iW1700 removes the need for secondary feedback circuitry while achieving excellent line and load regulation. It also eliminates the need for loop compensation components while maintaining stability over all operating conditions. Pulse-by-pulse waveform analysis allows for a loop response that is much faster than traditional solutions, resulting in improved dynamic load response, for both one-time and repetitive load transient. The built-in power limit function enables optimized transformer design in universal off-line applications and allows for a wide input voltage range.

Dialog's innovative proprietary technology ensures that power supplies built with the iW1700 can achieve both highest average efficiency and zero no-load power consumption, and have fast load transient response in a compact form factor. The active start-up scheme enables shortest possible start-up time without sacrificing no-load power loss.

### 2 Features

- Zero power consumption at no-load with lowest system cost (< 5 mW at 230 V<sub>AC</sub> with typical application circuit)
- Intelligent low power management achieves ultra-low operating current at no-load
- Adaptive load transient detection and fast response
- Very tight constant voltage and constant current regulation over entire operating range
- **PrimAccurate**<sup>™</sup> primary-side feedback eliminates optocouplers and simplifies design
- **EZ-EMI**<sup>™</sup> design enhances manufacturability
- Intrinsically low common mode noise
- Optimized 72kHz maximum PWM switching frequency achieves best size and efficiency
- Active start-up scheme enables fastest possible start-up
- Adaptive multi-mode PWM/PFM control improves efficiency
- Quasi-resonant operation for highest overall efficiency
- Direct drive of low-cost BJT switch
- No external compensation components required
- Complies with EPA 2.0 energy-efficiency specifications with ample margin
- Built-in soft start
- Built-in short circuit protection and output overvoltage protection
- Built-in current sense resistor short circuit protection
- No audible noise over entire operating range

### 3 Applications

- Compact AC/DC adapter/chargers for cell phones, PDAs, digital still cameras
- Linear AC/DC replacement

Zero Power No-Load Off-Line Digital PWM Controller

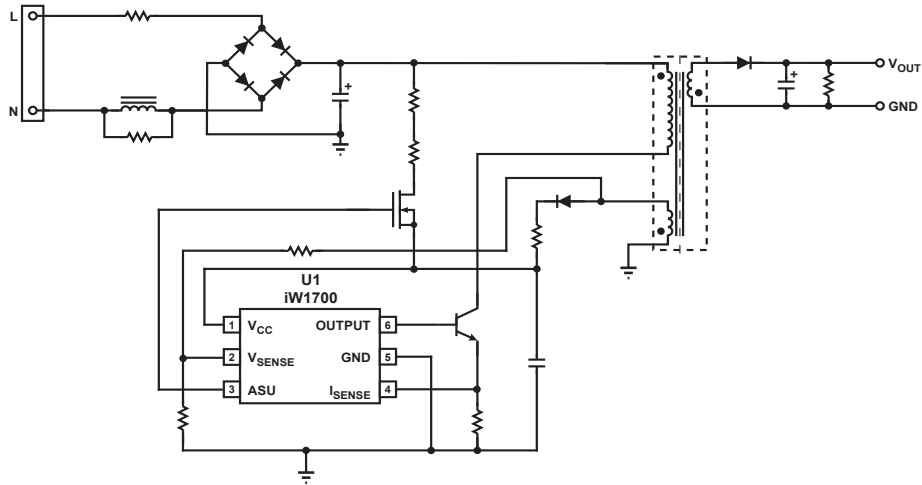


Figure 3.1: iW1700 Typical Application Circuit

(Achieving < 5 mW No-load Power Consumption. Using Depletion Mode NFET as Active Start-up Device)

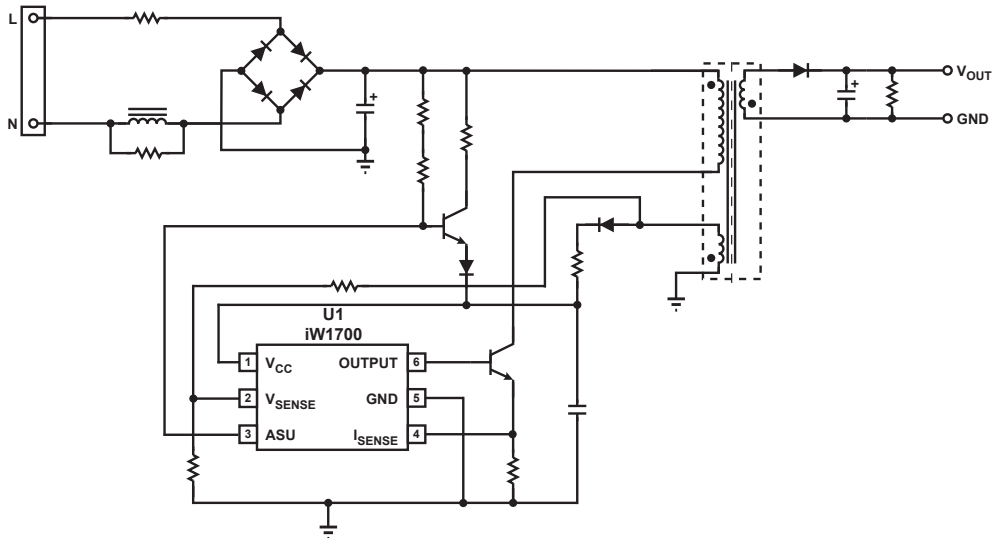


Figure 3.2: iW1700 Typical Application Circuit

(Alternative Circuit Using NPN BJT as the Active Start-up Device)

## Zero Power No-Load Off-Line Digital PWM Controller

## 4 Pinout Description

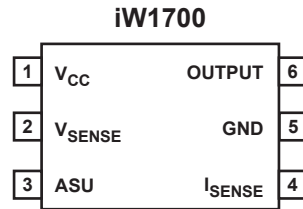


Figure 4.1: 6 Lead SOT-23 Package

Pin Number	Pin Name	Type	Pin Description
1	V <sub>CC</sub>	Power Input	Power supply for control logic.
2	V <sub>SENSE</sub>	Analog Input	Auxiliary voltage sense (used for primary regulation).
3	ASU	Output	Control signal for active start-up device (BJT or Depletion NFET).
4	I <sub>SENSE</sub>	Analog Input	Primary current sense. Used for cycle-by-cycle peak current control and limit.
5	GND	Ground	Ground.

## Zero Power No-Load Off-Line Digital PWM Controller

### 5 Absolute Maximum Ratings

Absolute maximum ratings are the parameter values or ranges which can cause permanent damage if exceeded. For maximum safe operating conditions, refer to Electrical Characteristics in Section 6.

Parameter	Symbol	Value	Units
DC supply voltage range (pin 1, $I_{CC} = 20\text{mA max}$ )	$V_{CC}$	-0.3 to 18.0	V
Continuous DC supply current at $V_{CC}$ pin ( $V_{CC} = 15\text{V}$ )	$I_{CC}$	20	mA
ASU output (pin 3)		-0.3 to 18.0	V
Output (pin 6)		-0.3 to 4.0	V
$V_{SENSE}$ input (pin 2, $I_{VSENSE} \leq 10\text{ mA}$ )		-0.7 to 4.0	V
$I_{SENSE}$ input (pin 4)		-0.3 to 4.0	V
Maximum junction temperature	$T_{J\text{ MAX}}$	150	°C
Storage temperature	$T_{STG}$	-65 to 150	°C
Thermal resistance junction-to-ambient	$\theta_{JA}$	190	°C/W
ESD rating per JEDEC JS-001-2017		±2,000	V
Latch-up test per JESD78E		±100	mA

## Zero Power No-Load Off-Line Digital PWM Controller

## 6 Electrical Characteristics

$V_{CC} = 12V$ ,  $-40^{\circ}C \leq T_A \leq +85^{\circ}C$ , unless otherwise specified.

Parameter	Symbol	Test Conditions	Min	Typ	Max	Unit
<b>V<sub>SENSE</sub> SECTION (Pin 2)</b>						
Input leakage current	$I_{BVS}$	$V_{SENSE} = 2V$			1	$\mu A$
Nominal voltage threshold	$V_{SENSE(NOM)}$	$T_A = 25^{\circ}C$ , negative edge	1.518	1.533	1.548	V
Output OVP threshold (Note 1)	$V_{SENSE(MAX)}$	$T_A = 25^{\circ}C$ , negative edge Load = 100%		1.926		V
Input leakage current	$I_{LK}$	$I_{SENSE} = 1.0V$			1	$\mu A$
<b>I<sub>SENSE</sub> SECTION (Pin 4)</b>						
Overcurrent threshold	$V_{OCP}$		1.11	1.15	1.19	V
$I_{SENSE}$ regulation upper limit (Note 1)	$V_{IPK(HIGH)}$			1.0		V
$I_{SENSE}$ regulation lower limit (Note 1)	$V_{IPK(LOW)}$			0.23		V
Input leakage current	$I_{LK}$	$I_{SENSE} = 1.0V$			1	$\mu A$
<b>V<sub>CC</sub> SECTION (Pin 1)</b>						
Maximum operating voltage (Note 1)	$V_{CC(MAX)}$				16	V
Start-up threshold	$V_{CC(ST)}$	$V_{CC}$ rising	10.0	11.0	12.0	V
Undervoltage lockout threshold	$V_{CC(UVL)}$	$V_{CC}$ falling	3.8	4.0	4.2	V
Start-up current	$I_{IN(ST)}$	$V_{CC} = 10V$	1.0	1.7	3.0	$\mu A$
Quiescent current	$I_{CCQ}$	No $I_B$ current		2.7	4.0	mA
Zener breakdown voltage	$V_{ZB}$	Zener current = 5mA $T_A = 25^{\circ}C$	18.5	19.5	20.5	V
<b>ASU SECTION (Pin 3)</b>						
Maximum operating voltage (Note 1)	$V_{ASU(MAX)}$				16	V
Resistance between $V_{CC}$ and ASU	$R_{V_{CC\_ASU}}$			830		k $\Omega$
<b>OUTPUT SECTION (Pin 6)</b>						
Output low level ON-resistance	$R_{DS(ON)LO}$	$I_{SINK} = 5mA$		1	3	$\Omega$
Switching frequency (Note 2)	$f_{SW}$	> 50% load		72		kHz

Note 1: These parameters are not 100% tested, guaranteed by design and characterization.

Note 2: Operating frequency varies based on the load conditions, see Section 9.6 for more details.

Zero Power No-Load Off-Line Digital PWM Controller

7 Typical Performance Characteristics

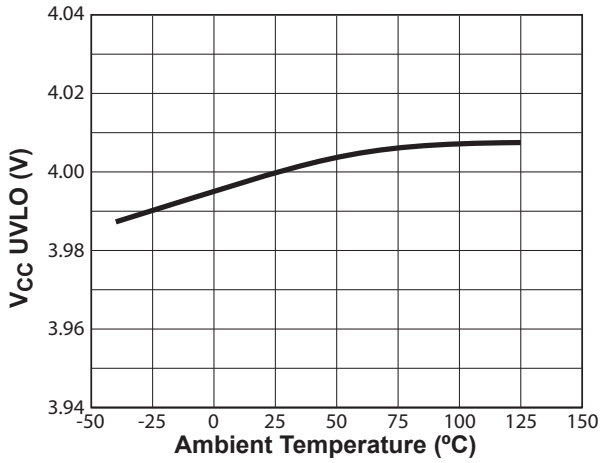


Figure 7.1 : V<sub>CC</sub> UVLO vs. Temperature

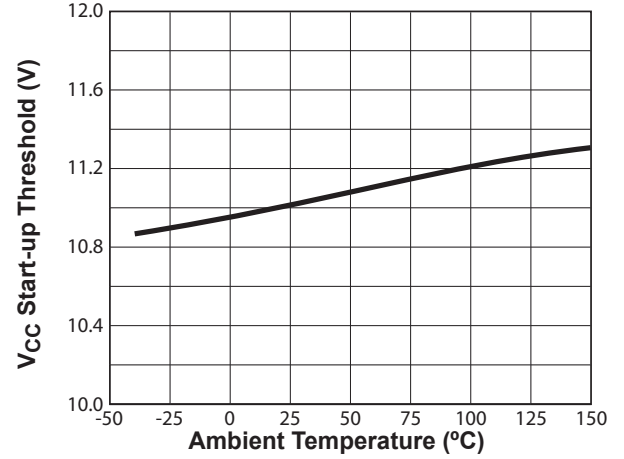


Figure 7.2 : Start-Up Threshold vs. Temperature

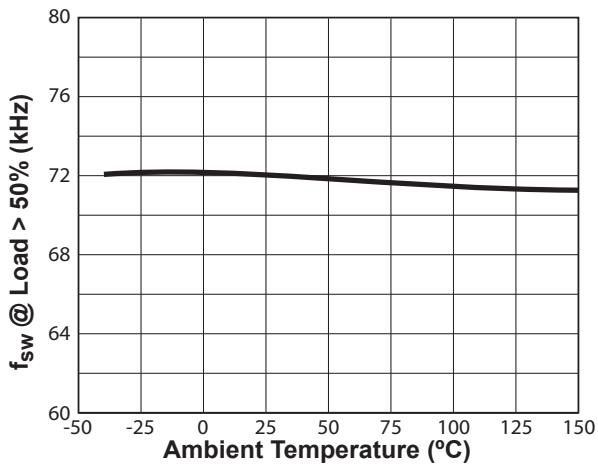


Figure 7.3 : Switching Frequency vs. Temperature<sup>1</sup>

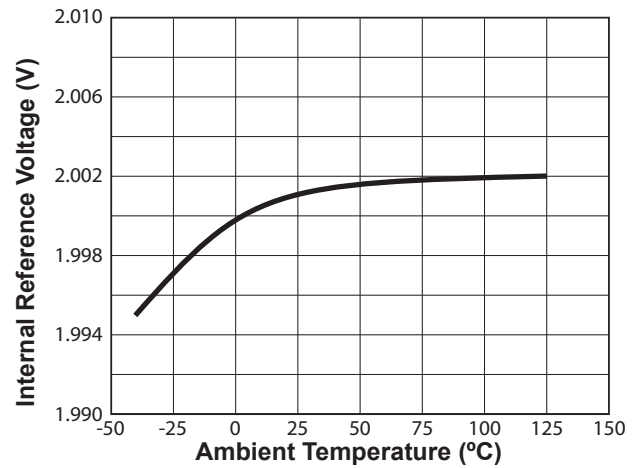


Figure 7.4 : Internal Reference vs. Temperature

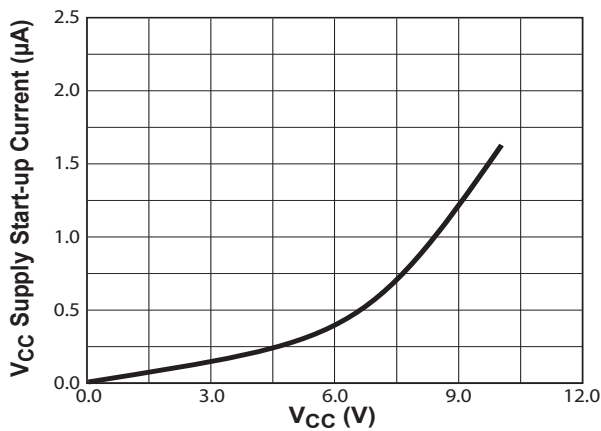


Figure 7.5 : V<sub>CC</sub> vs. V<sub>CC</sub> Supply Start-up Current

Note 1: Operating frequency varies based on the load conditions, see Section 9.6 for more details.

Zero Power No-Load Off-Line Digital PWM Controller

8 Typical Performance Characteristics

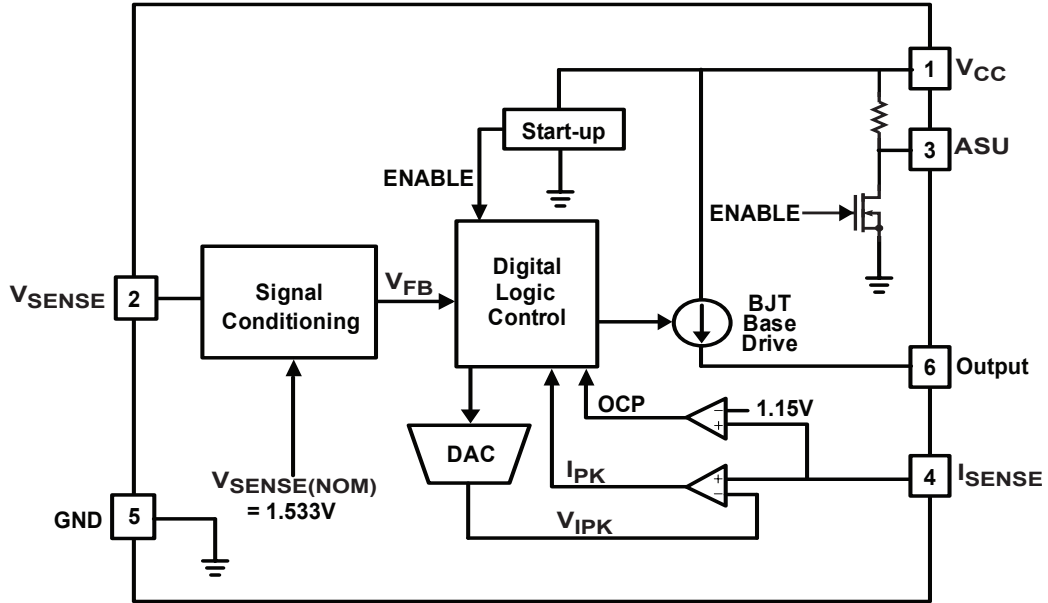


Figure 8.1: iW1700 Functional Block Diagram

## Zero Power No-Load Off-Line Digital PWM Controller

### 9 Theory of Operation

The iW1700 is a digital controller which uses a new, proprietary primary-side control technology to eliminate the optoisolated feedback and secondary regulation circuits required in traditional designs. This results in a low-cost solution for low power AC/DC adapters. The core PWM processor uses fixed-frequency Discontinuous Conduction Mode (DCM) operation at higher power levels and switches to variable frequency operation at light loads to maximize efficiency. Furthermore, Dialog's digital control technology enables fast dynamic response, tight output regulation, and full featured circuit protection with primary-side control.

Referring to the block diagram in Figure 8.1, the digital logic control block generates the switching on-time and off-time information based on the output voltage and current feedback signal and provides commands to dynamically control the external BJT base current. The system loop is automatically compensated internally by a digital error amplifier. Adequate system phase margin and gain margin are guaranteed by design and no external analog components are required for loop compensation. The iW1700 uses an advanced digital control algorithm to reduce system design time and increase reliability.

Furthermore, accurate secondary constant-current operation is achieved without the need for any secondary-side sense and control circuits.

The iW1700 uses adaptive multi-mode PWM/PFM control to dynamically change the BJT switching frequency for efficiency, EMI, and power consumption optimization. In addition, it achieves unique BJT quasi-resonant switching to further improve efficiency and reduce EMI. Built-in single-point fault protection features include overvoltage protection (OVP), output short circuit protection (SCP), over current protection (OCP), and  $I_{SENSE}$  fault detection. In particular, it ensures that power supplies built with the iW1700 can achieve zero power consumption at no load, and meanwhile have adaptive load transient detection and fast response.

Dialog's digital control scheme is specifically designed to address the challenges and trade-offs of power conversion design. This innovative technology is ideal for balancing new regulatory requirements for green mode operation with more practical design considerations such as lowest possible cost, smallest size and high performance output control.

#### 9.1 Pin Detail

##### Pin 1 – $V_{CC}$

Power supply for the controller during normal operation. The controller will start up when  $V_{CC}$  reaches 11.0V (typical) and will shut-down when the  $V_{CC}$  voltage is 4.0V (typical). A decoupling capacitor of 0.1 $\mu$ F or so should be connected between the  $V_{CC}$  pin and GND.

##### Pin 2 – $V_{SENSE}$

Sense signal input from auxiliary winding. This provides the secondary voltage feedback used for output regulation.

##### Pin 3 – ASU

Control signal for active startup device. This signal is pulled low after start-up is finished to cut off the active device.

##### Pin 4 – $I_{SENSE}$

Primary current sense. Used for cycle-by-cycle peak current control and limit.

##### Pin 5 – GND

Ground.



## Zero Power No-Load Off-Line Digital PWM Controller

### Pin 6 – OUTPUT

Base drive for the external power BJT switch.

### 9.2 Active Start-up and Soft-start

Refer to Figure 3.1 and Figure 3.2 for active start-up circuits using external depletion NFET and BJT respectively. Prior to start-up, the depletion NFET or the BJT is turned on, allowing the start-up current to charge the  $V_{CC}$  bypass capacitor. When the  $V_{CC}$  bypass capacitor is charged to a voltage higher than the start-up threshold  $V_{CC(ST)}$ , the ENABLE signal becomes active and the iW1700 commences soft start function. During this start-up process an adaptive soft-start control algorithm is applied, where the initial output pulses will be small and gradually get larger until the full pulse width is achieved. The peak current is limited cycle by cycle by the  $I_{PEAK}$  comparator. If at any time the  $V_{CC}$  voltage drops below undervoltage lockout (UVLO) threshold  $V_{CC(UVLO)}$  then the iW1700 goes to shutdown. At this time ENABLE signal becomes low and the  $V_{CC}$  capacitor begins to charge up again towards the start-up threshold to initiate a new soft-start process.

While the ENABLE signal initiates the soft-start process, it also pulls down the ASU pin voltage at the same time, which turns off the depletion NFET or the BJT, thus minimizing the no-load standby power consumption. For the active start-up scheme in Figure 3.2, the start-up resistors connected between the base of the BJT and DC input still conduct current after start-up is finished. They need to be large enough to minimize no-load power consumption. The large start-up resistors require that the BJT have ample gain to obtain a sufficient charge current for a fast start-up.

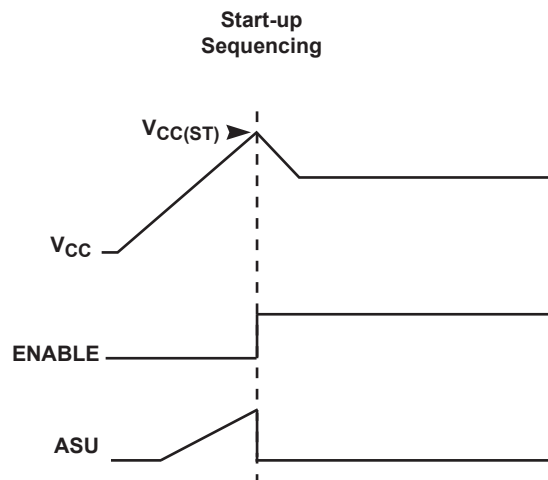


Figure 9.1: Start-up Sequencing Diagram

### 9.3 Understanding Primary Feedback

Figure 9.2 illustrates a simplified flyback converter. When the switch Q1 conducts during  $t_{ON}(t)$ , the current  $i_g(t)$  is directly drawn from rectified sinusoid  $v_g(t)$ . The energy  $E_g(t)$  is stored in the magnetizing inductance  $L_M$ . The rectifying diode D1 is reverse biased and the load current  $I_O$  is supplied by the secondary capacitor  $C_O$ . When Q1 turns off, D1 conducts and the stored energy  $E_g(t)$  is delivered to the output.

## Zero Power No-Load Off-Line Digital PWM Controller

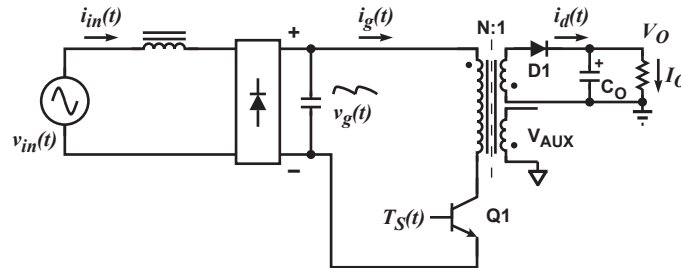


Figure 9.2: Simplified Flyback Converter

In order to tightly regulate the output voltage, the information about the output voltage and load current need to be accurately sensed. In the DCM flyback converter, this information can be read via the auxiliary winding or the primary magnetizing inductance ( $L_M$ ). During the Q1 on-time, the load current is supplied from the output filter capacitor  $C_O$ . The voltage across  $L_M$  is  $v_g(t)$ , assuming the voltage dropped across Q1 is zero. The current in Q1 ramps up linearly at a rate of:

$$\frac{di_g(t)}{dt} = \frac{v_g(t)}{L_M} \quad (9.1)$$

At the end of on-time, the current has ramped up to:

$$i_{g\_peak}(t) = \frac{v_g(t) \times t_{ON}}{L_M} \quad (9.2)$$

This current represents a stored energy of:

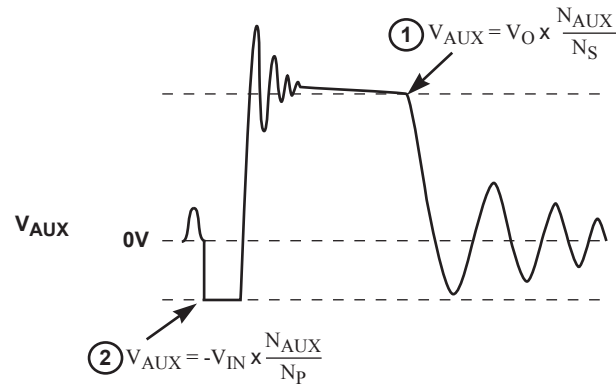
$$E_g = \frac{L_M}{2} \times i_{g\_peak}(t)^2 \quad (9.3)$$

When Q1 turns off at  $t_o$ ,  $i_g(t)$  in  $L_M$  forces a reversal of polarities on all windings. Ignoring the communication-time caused by the leakage inductance  $L_K$  at the instant of turn-off  $t_o$ , the primary current transfers to the secondary at a peak amplitude of:

$$i_d(t) = \frac{N_P}{N_S} \times i_{g\_peak}(t) \quad (9.4)$$

Assuming the secondary winding is master, and the auxiliary winding is slave,

## Zero Power No-Load Off-Line Digital PWM Controller



**Figure 9.3: Auxiliary Voltage Waveforms**

The auxiliary voltage is given by:

$$V_{AUX} = \frac{N_{AUX}}{N_S} (V_O + \Delta V) \quad (9.5)$$

and reflects the output voltage as shown in Figure 9.3.

The voltage at the load differs from the secondary voltage by a diode drop and IR losses. Thus, if the secondary voltage is always read at a constant secondary current, the difference between the output voltage and the secondary voltage will be a fixed  $\Delta V$ . Furthermore, if the voltage can be read when the secondary current is small,  $\Delta V$  will also be small. With the iW1700,  $\Delta V$  can be ignored.

The real-time waveform analyzer in the iW1700 reads this information cycle by cycle. The part then generates a feedback voltage  $V_{FB}$ . The  $V_{FB}$  signal precisely represents the output voltage under most conditions and is used to regulate the output voltage.

### 9.4 Constant Voltage Operation

After soft-start has been completed, the digital control block measures the output conditions. It determines output power levels and adjusts the control system according to a light load or heavy load. If this is in the normal range, the device operates in the Constant Voltage (CV) mode, and changes the pulse width ( $T_{ON}$ ) and off time ( $T_{OFF}$ ) in order to meet the output voltage regulation requirements.

If no voltage is detected on  $V_{SENSE}$  it is assumed that the auxiliary winding of the transformer is either open or shorted and the iW1700 shuts down.

### 9.5 Constant Current Operation

The constant current (CC) mode is useful in battery charging applications. During this mode of operation the iW1700 will regulate the output current at a constant level regardless of the output voltage, while avoiding continuous conduction mode.

To achieve this regulation the iW1700 senses the load current indirectly through the primary current. The primary current is detected by the  $I_{SENSE}$  pin through a resistor from the BJT emitter to ground.

## Zero Power No-Load Off-Line Digital PWM Controller

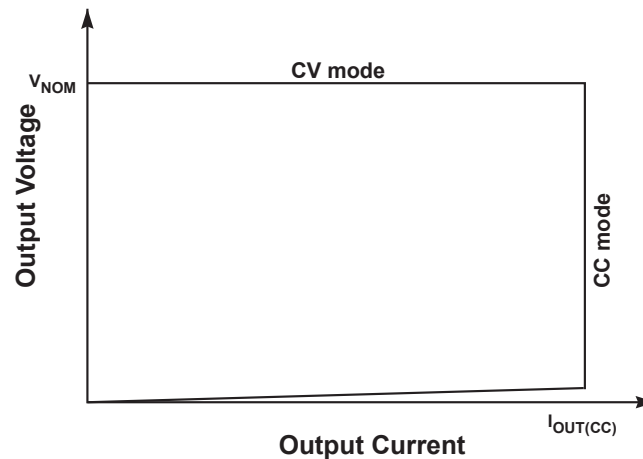


Figure 9.4: Power Envelope

### 9.6 Multi-Mode PWM/PFM Control and Quasi-Resonant Switching

The iW1700 uses a proprietary adaptive multi-mode PWM /PFM control to dramatically improve the light-load efficiency and thus the overall average efficiency.

During the constant voltage (CV) operation, the iW1700 normally operates in a pulse-width-modulation (PWM) mode during heavy load conditions. In the PWM mode, the switching frequency keeps around constant. As the output load  $I_{OUT}$  is reduced, the on-time  $t_{ON}$  is decreased, and the controller adaptively transitions to a pulse-frequency-modulation (PFM) mode. During the PFM mode, the BJT is turned on for a set duration under a given instantaneous rectified AC input voltage, but its off time is modulated by the load current. With a decreasing load current, the off time increases and thus the switching frequency decreases.

When the switching frequency approaches to human ear audio band, the iW1700 transitions to a second level of PWM mode, namely Deep PWM mode (DPWM). During the DPWM mode, the switching frequency keeps around 25kHz in order to avoid audible noise. As the load current is further reduced, the iW1700 transitions to a second level of PFM mode, namely Deep PFM mode (DPFM), which can reduce the switching frequency to a very low level. Although the switching frequency drops across the audible frequency range during the DPFM mode, the output current in the power converter has reduced to an insignificant level in the DPWM mode before transitioning to the DPFM mode. Therefore, the power converter practically produces no audible noise, while achieving high efficiency across varying load conditions.

The iW1700 also incorporates a unique proprietary quasi-resonant switching scheme that achieves valley-mode turn on for every PWM/PFM switching cycle, during all PFM and PWM modes and in both CV and CC operations. This unique feature greatly reduces the switching loss and  $dv/dt$  across the entire operating range of the power supply. Due to the nature of quasi-resonant switching, the actual switching frequency can vary slightly cycle by cycle, providing the additional benefit of reducing EMI. Together these innovative digital control architecture and algorithms enable the iW1700 to achieve highest overall efficiency and lowest EMI, without causing audible noise over entire operating range.

### 9.7 Zero Power No-Load Operation

At the no-load condition, the iW1700 is operating in the DPFM mode, where the switching frequency can drop as low as 275Hz and still maintain tight closed-loop control of output voltage. The distinctive DPFM operation allows the use of a relatively large pre-load resistor which helps reduce the no-load power consumption. In the meanwhile, the iW1700 implements an intelligent low-power management technique that achieves ultra-low chip operating current at the no-load, typically less than 400 $\mu$ A. One important feature of the iW1700 is that it directly drives a low-cost

## Zero Power No-Load Off-Line Digital PWM Controller

BJT switch. Unlike a power MOSFET, the BJT is a current-driven device that does not require a high driving voltage. As a result, the UVLO threshold of the iW1700 is designed to be as low as 4.0V (typical). The power supply system design can fully utilize this low UVLO feature to have a low  $V_{CC}$  voltage at the no-load operation in order to minimize the no-load power. In addition, the active start-up scheme with depletion NFET eliminates the startup resistor power consumption after the ENABLE signal becomes active. All together these features ensure with the lowest system cost power supplies built with the iW1700 can achieve less than 5mW no-load power consumption at 230V<sub>AC</sub> input and maintain very tight constant voltage and constant current regulation over the entire operating range including the no-load operation.

While achieving ultra-low no-load power consumption, the iW1700 implements innovative proprietary digital control technology to intelligently detect load transient events, and ensure adaptive fast response.

### 9.8 Variable Frequency Operation Mode

At each of the switching cycles, the falling edge of  $V_{SENSE}$  will be checked. If the falling edge of  $V_{SENSE}$  is not detected, the off-time will be extended until the falling edge of  $V_{SENSE}$  is detected. The maximum allowed transformer reset time is 110 $\mu$ s. When the transformer reset time reaches 110 $\mu$ s, the iW1700 shuts off.

### 9.9 Internal Loop Compensation

The iW1700 incorporates an internal Digital Error Amplifier with no requirement for external loop compensation. For a typical power supply design, the loop stability is guaranteed to provide at least 45° of phase margin and -20dB of gain margin.

### 9.10 Voltage Protection Features

The secondary maximum output DC voltage is limited by the iW1700. When the  $V_{SENSE}$  signal exceeds the output OVP threshold at point 1 indicated in Figure 9.3 the iW1700 shuts down.

The iW1700 protects against input line undervoltage by setting a maximum  $T_{ON}$  time. Since output power is proportional to the squared  $V_{IN} T_{ON}$  product, then for a given output power, as  $V_{IN}$  decreases the  $T_{ON}$  will increase. Thus by knowing when the maximum  $T_{ON}$  time occurs the iW1700 detects that the minimum  $V_{IN}$  is reached, and shuts down. The maximum  $T_{ON}$  limit is set to 13.8 $\mu$ s. Also, the iW1700 monitors the voltage on the  $V_{CC}$  pin and when the voltage on this pin is below UVLO threshold the IC shuts down immediately.

When any of these faults are met the IC remains biased to discharge the  $V_{CC}$  supply. Once  $V_{CC}$  drops below UVLO threshold, the controller resets itself and then initiates a new soft-start cycle. The controller continues attempting start-up until the fault condition is removed.

### 9.11 PCL, OCP and SRS Protection

Peak-current limit (PCL), over-current protection (OCP) and sense-resistor short protection (SRSP) are features built-in to the iW1700. With the  $I_{SENSE}$  pin the iW1700 is able to monitor the peak primary current. This allows for cycle by cycle peak current control and limit. When the primary peak current multiplied by the  $I_{SENSE}$  resistor is greater than 1.15V, over current (OCP) is detected and the IC will immediately turn off the base driver until the next cycle. The output driver will send out a switching pulse in the next cycle, and the switching pulse will continue if the OCP threshold is not reached; or, the switching pulse will turn off again if the OCP threshold is reached. If the OCP occurs for several consecutive switching cycles, the iW1700 shuts down.

If the  $I_{SENSE}$  resistor is shorted there is a potential danger of the over current condition not being detected. Thus, the IC

## Zero Power No-Load Off-Line Digital PWM Controller

is designed to detect this sense-resistor-short fault after startup and shut down immediately. The  $V_{CC}$  will be discharged since the IC remains biased. Once  $V_{CC}$  drops below the UVLO threshold, the controller resets itself and then initiates a new soft-start cycle. The controller continues attempting to startup, but does not fully startup until the fault condition is removed.

### 9.12 Dynamic Base Current Control

One important feature of the iW1700 is that it directly drives a BJT switching device with dynamic base current control to optimize performance. The BJT base current ranges from 10mA to 31mA, and is dynamically controlled according to the power supply load change. The higher the output power, the higher the base current. Specifically, the base current is related to  $V_{IPK}$ , as shown in Figure 9.5.

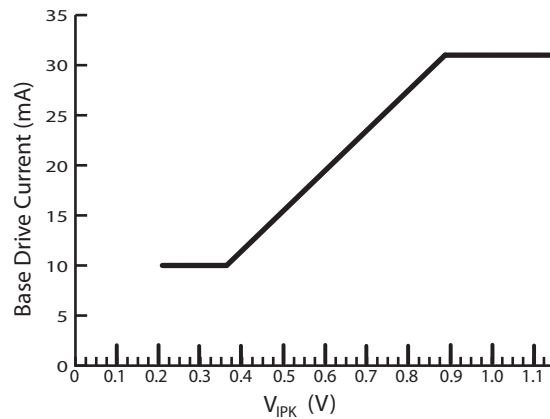
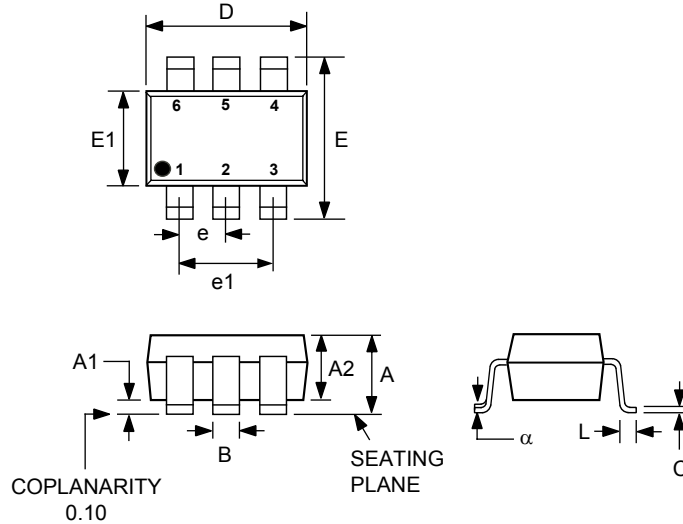


Figure 9.5: Base Drive Current vs.  $V_{IPK}$

Zero Power No-Load Off-Line Digital PWM Controller

10 Physical Dimensions

6-Lead SOT Package



Symbol	Millimeters	
	MIN	MAX
A	-	1.45
A1	0.00	0.15
A2	0.90	1.30
B	0.30	0.50
C	0.08	0.22
D	2.90 BSC	
E	2.80 BSC	
E1	1.60 BSC	
e	0.95 BSC	
e1	1.90 BSC	
L	0.30	0.60
α	0°	8°

Compliant to JEDEC Standard MO-178AB

Controlling dimensions are in millimeters

This package is RoHS compliant and Halide free.

Soldering Temperature Resistance:

- [a] Package is IPC/JEDEC Std 020D Moisture Sensitivity Level 1
- [b] Package exceeds JEDEC Std No. 22-A111 for Solder Immersion Resistance; packages can withstand 10 s immersion < 260°C

Dimension D does not include mold flash, protrusions or gate burrs. Mold flash, protrusions or gate burrs shall not exceed 0.25 mm per side.

The package top may be smaller than the package bottom. Dimensions D and E1 are determined at the outermost extremes of the plastic body exclusive of mold flash, tie bar burrs and interlead flash, but including any mismatch between top and bottom of the plastic body.

11 Ordering Information

Part Number	Options	Package	Description
iW1700-00		SOT23-6	Tape & Reel <sup>1</sup>

Note 1: Tape & Reel packing quantity is 3,000 per reel. Minimum packing quantity is 3,000.

## Zero Power No-Load Off-Line Digital PWM Controller

### Disclaimer

Unless otherwise agreed in writing, the Dialog Semiconductor products (and any associated software) referred to in this document are not designed, authorized or warranted to be suitable for use in life support, life-critical or safety-critical systems or equipment, nor in applications where failure or malfunction of a Dialog Semiconductor product (or associated software) can reasonably be expected to result in personal injury, death or severe property or environmental damage. Dialog Semiconductor and its suppliers accept no liability for inclusion and/or use of Dialog Semiconductor products (and any associated software) in such equipment or applications and therefore such inclusion and/or use is at the customer's own risk.

Information in this document is believed to be accurate and reliable. However, Dialog Semiconductor does not give any representations or warranties, express or implied, as to the accuracy or completeness of such information. Dialog Semiconductor furthermore takes no responsibility whatsoever for the content in this document if provided by any information source outside of Dialog Semiconductor.

Dialog Semiconductor reserves the right to change without notice the information published in this document, including, without limitation, the specification and the design of the related semiconductor products, software and applications. Notwithstanding the foregoing, for any automotive grade version of the device, Dialog Semiconductor reserves the right to change the information published in this document, including, without limitation, the specification and the design of the related semiconductor products, software and applications, in accordance with its standard automotive change notification process.

Applications, software, and semiconductor products described in this document are for illustrative purposes only. Dialog Semiconductor makes no representation or warranty that such applications, software and semiconductor products will be suitable for the specified use without further testing or modification. Unless otherwise agreed in writing, such testing or modification is the sole responsibility of the customer and Dialog Semiconductor excludes all liability in this respect.

Nothing in this document may be construed as a license for customer to use the Dialog Semiconductor products, software and applications referred to in this document. Such license must be separately sought by customer with Dialog Semiconductor.

All use of Dialog Semiconductor products, software and applications referred to in this document is subject to Dialog Semiconductor's [Standard Terms and Conditions of Sale](#), available on the company website ([www.dialog-semiconductor.com](http://www.dialog-semiconductor.com)) unless otherwise stated.

Dialog, Dialog Semiconductor and the Dialog logo are trademarks of Dialog Semiconductor Plc or its subsidiaries. All other product or service names and marks are the property of their respective owners.

© 2020 Dialog Semiconductor. All rights reserved.

### RoHS Compliance

Dialog Semiconductor's suppliers certify that its products are in compliance with the requirements of Directive 2011/65/EU of the European Parliament on the restriction of the use of certain hazardous substances in electrical and electronic equipment. RoHS certificates from our suppliers are available on request.

## Contacting Dialog Semiconductor

**United Kingdom (Headquarters)**  
Dialog Semiconductor (UK) LTD  
Phone: +44 1793 757700

**Germany**  
Dialog Semiconductor GmbH  
Phone: +49 7021 805-0

**The Netherlands**  
Dialog Semiconductor B.V.  
Phone: +31 73 640 8822

**Email**  
[info\\_pcbg@diasemi.com](mailto:info_pcbg@diasemi.com)

**North America**  
Dialog Semiconductor Inc.  
Phone: +1 408 845 8500

**Japan**  
Dialog Semiconductor K. K.  
Phone: +81 3 5769 5100

**Taiwan**  
Dialog Semiconductor Taiwan  
Phone: +886 281 786 222

**Web site:**  
[www.dialog-semiconductor.com](http://www.dialog-semiconductor.com)

**Hong Kong**  
Dialog Semiconductor Hong Kong  
Phone: +852 2607 4271

**Korea**  
Dialog Semiconductor Korea  
Phone: +82 2 3469 8200

**China (Shenzhen)**  
Dialog Semiconductor China  
Phone: +86 755 2981 3669

**China (Shanghai)**  
Dialog Semiconductor China  
Phone: +86 21 5424 9058