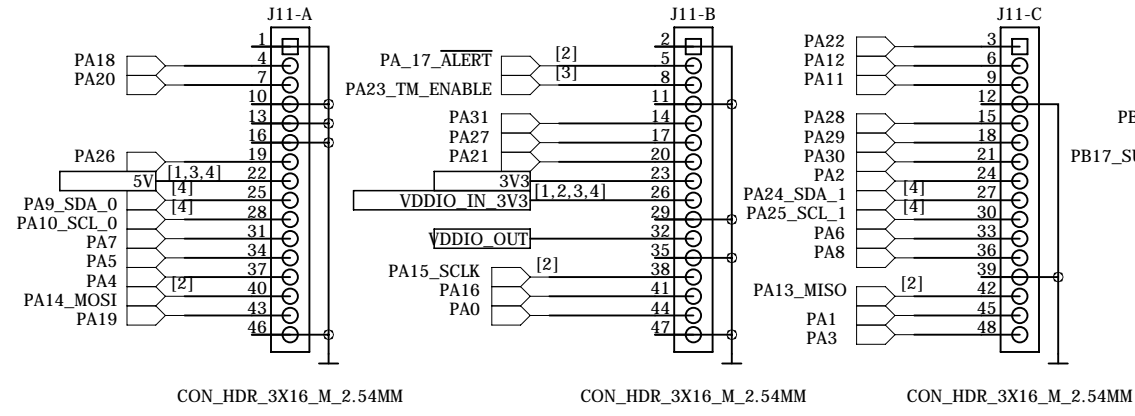
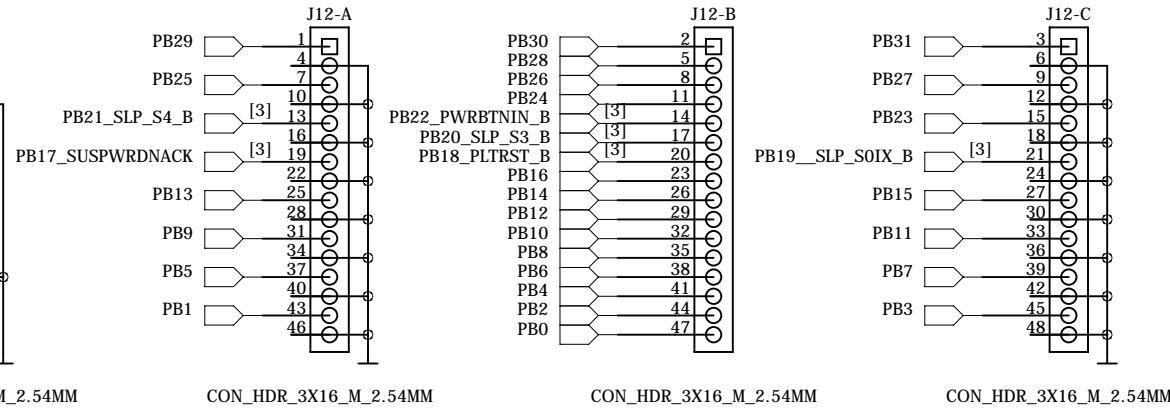


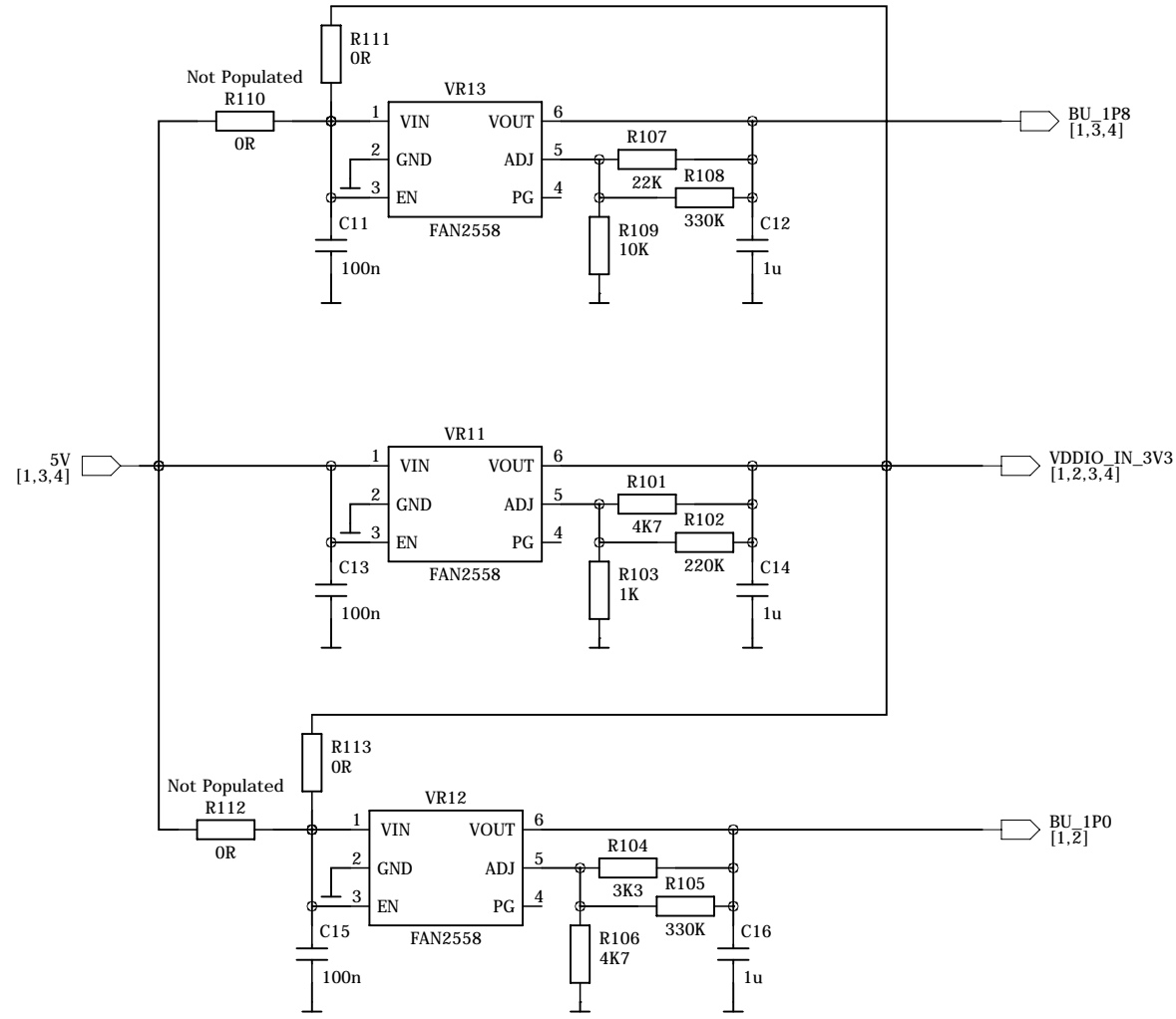
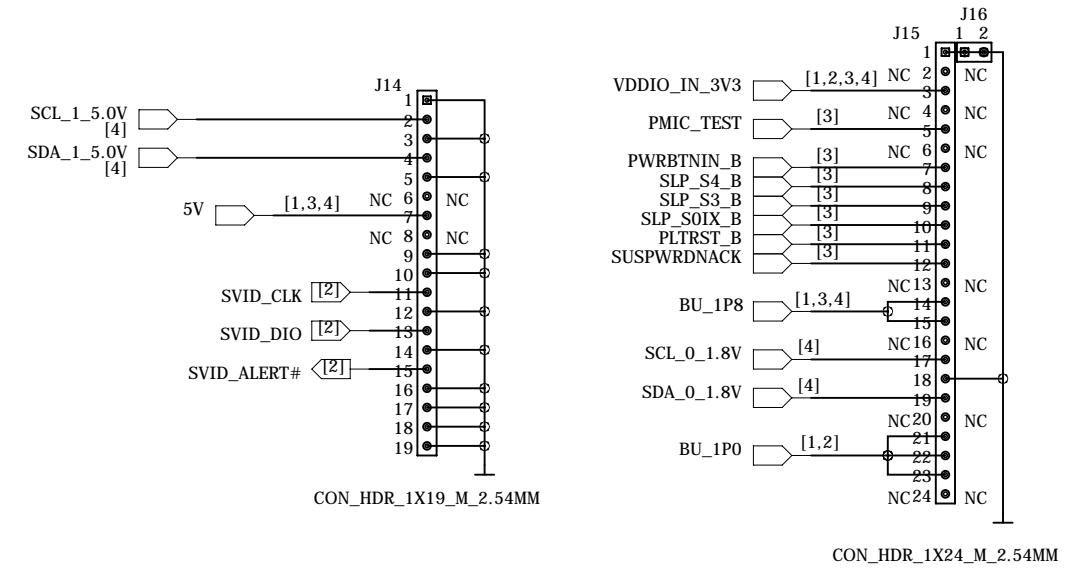
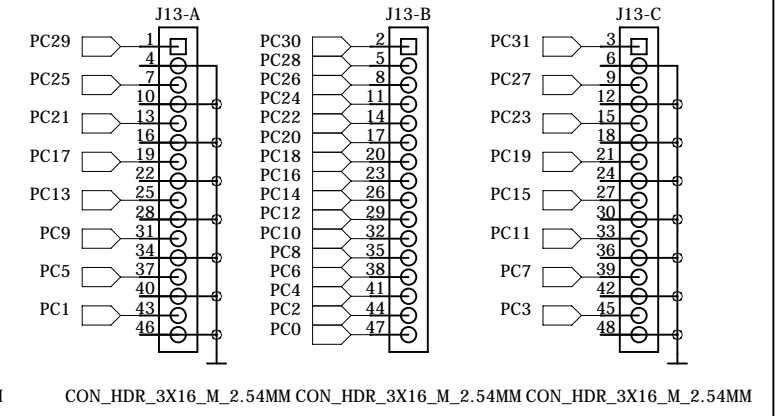
Port A



Port B



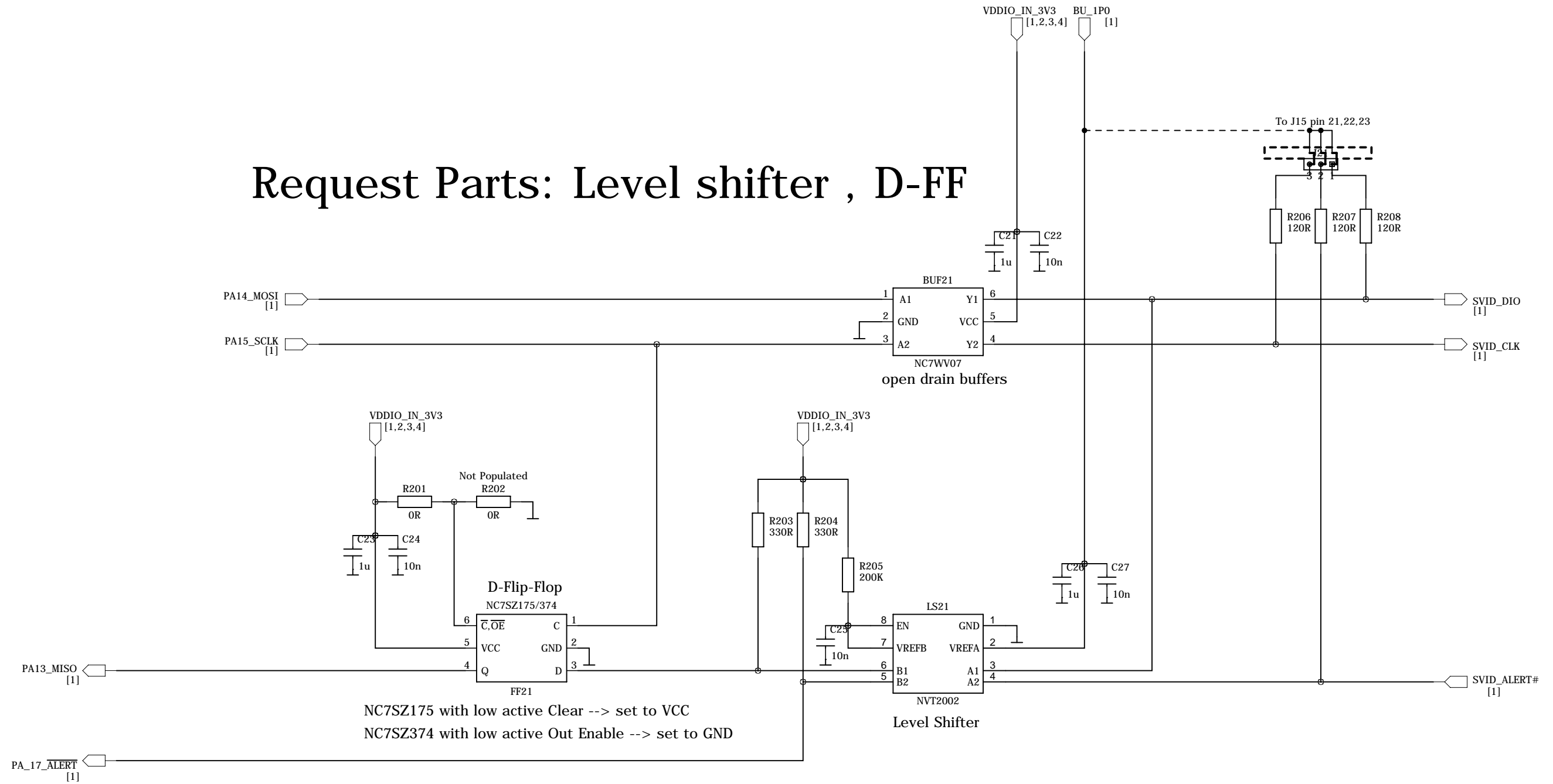
Port C



Note: 3.3V independent from jumper setting on ULI module


CONFIDENTIAL INFORMATION				SCHEMATIC TEMPLATE REV PA1 (Mar 13, 2002) DIALOG DOCUMENT NUMBER 31-902-03	
PREPARED: <Drafted By>	DATED: 01.2013	COMPANY: <Company Name>			
RESPONSIBLE: <Responsible>	DATED: <Approved Date>	TITLE: <Schematic Title>			
SHEET NAME: [1]_CONNECTORS_&_BU_LDD		DRAWING NO: <Drawing Number>	REV: <Revision Number>	PAGE: <Page Number>	

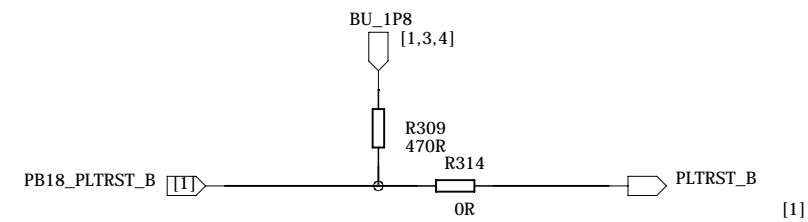
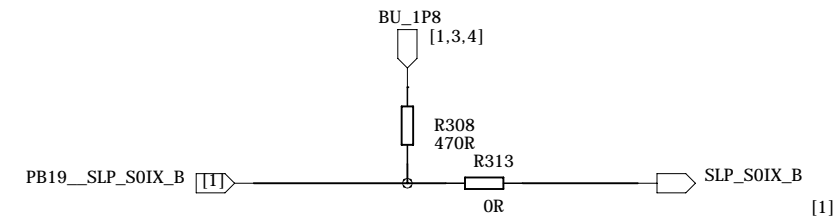
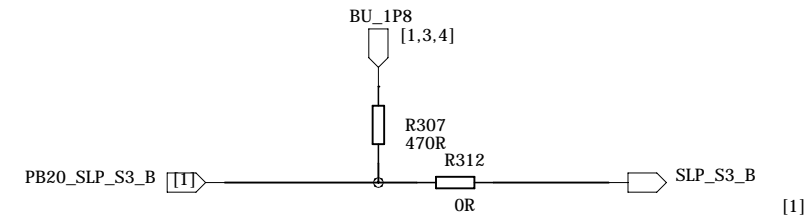
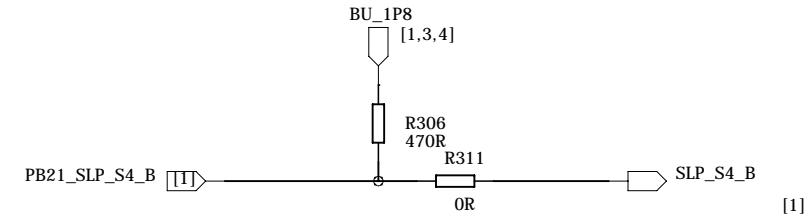
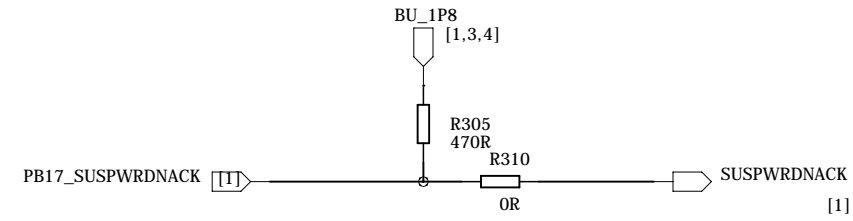
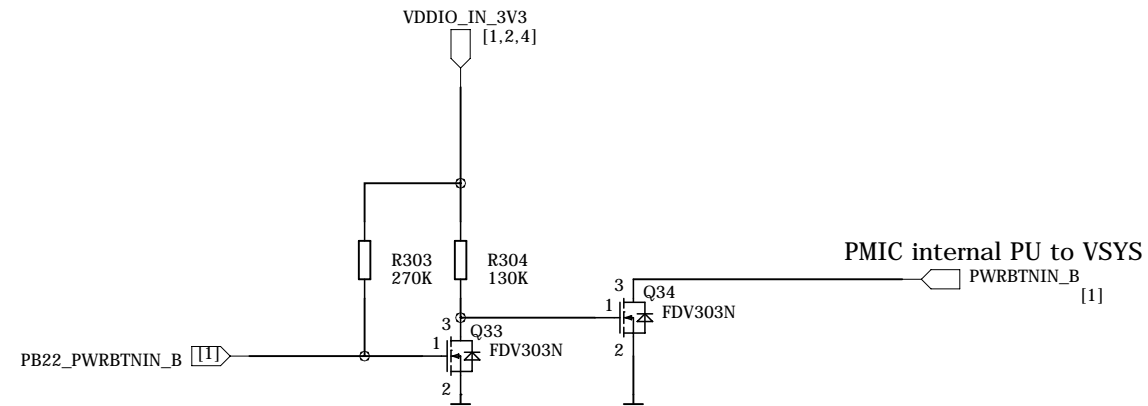
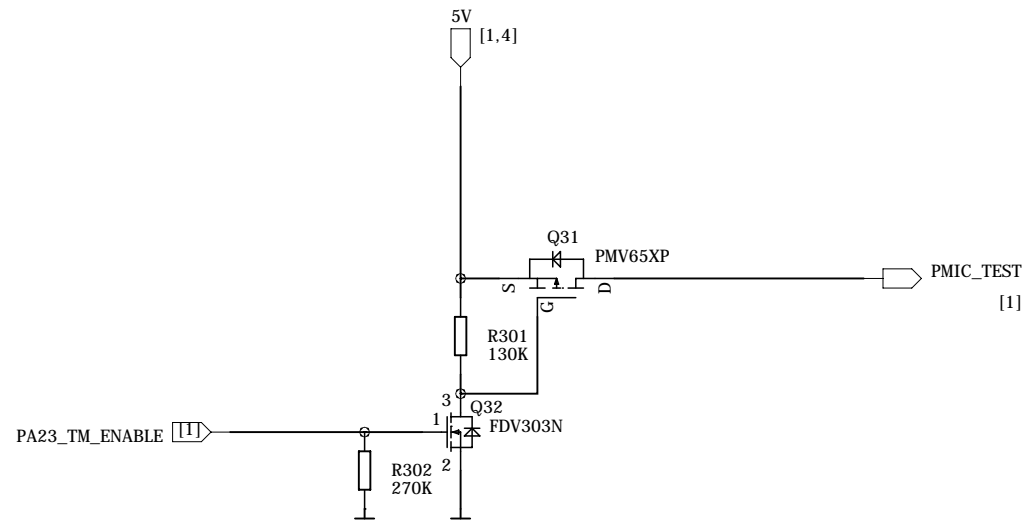
Request Parts: Level shifter , D-FF



CONFIDENTIAL INFORMATION


SCHMATIC TEMPLATE REV PA1 (Mar 13, 2002) DIALOG DOCUMENT NUMBER 31-902-03

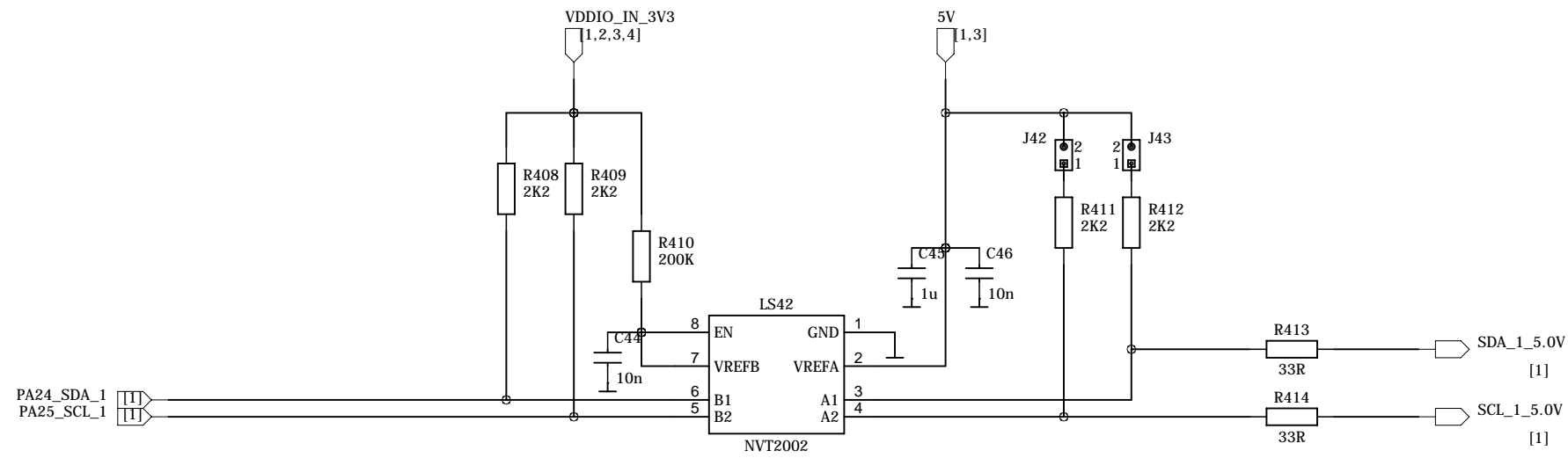
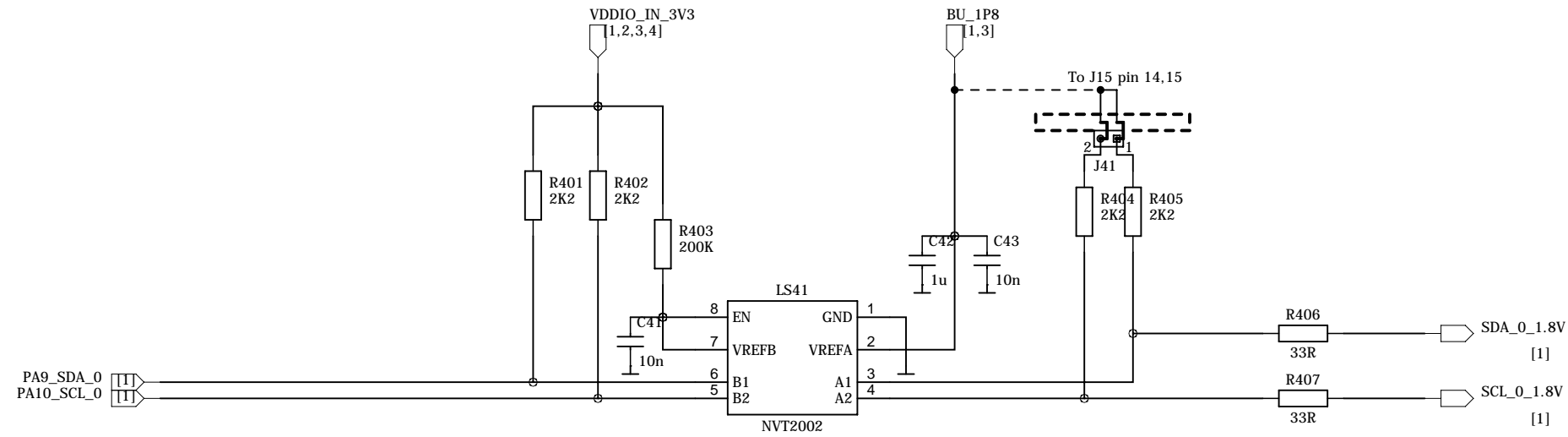
PREPARED: <Drafted By>	DATED: <01.2013>	COMPANY: <Company Name>	
RESPONSIBLE: <Responsible>	DATED: <Approved Date>	TITLE: <Schematic Title>	
SHEET NAME: [2]_SVID		DRAWING NO: <Drawing Number>	REV: <Revision Number> PAGE: <Page Number>



CONFIDENTIAL INFORMATION


SCHEMATIC TEMPLATE REV PA1 (Mar 13, 2002) DIALOG DOCUMENT NUMBER 31-902-03

PREPARED: <Drafted By>	DATED: <Date>	COMPANY: <Company Name>	
RESPONSIBLE: <Responsible>	DATED: <Approved Date>	TITLE: <Schematic Title>	
SHEET NAME: [3]_GPO		DRAWING NO: <Drawing Number>	REV: <Revision Number>
		PAGE: <Page Number>	



CONFIDENTIAL INFORMATION

SCHMATIC TEMPLATE REV PA1 (Mar 13, 2002) DIALOG DOCUMENT NUMBER 31-902-03

PREPARED: <Drafted By>	DATED: <Date>	COMPANY: <Company Name>	
RESPONSIBLE: <Responsible>	DATED: <Approved Date>	TITLE: <Schematic Title>	
SHEET NAME: [4]_I2C		DRAWING NO: <Drawing Number>	REV: <Revision Number>