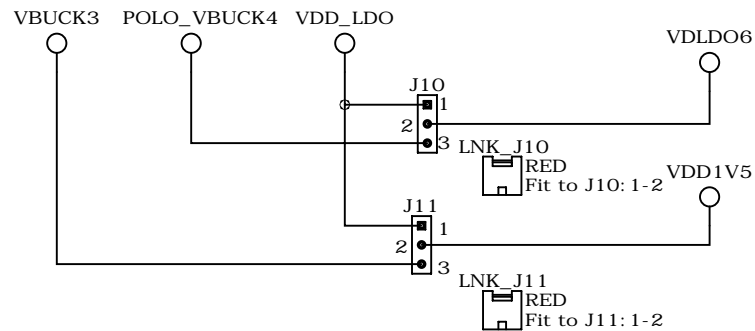
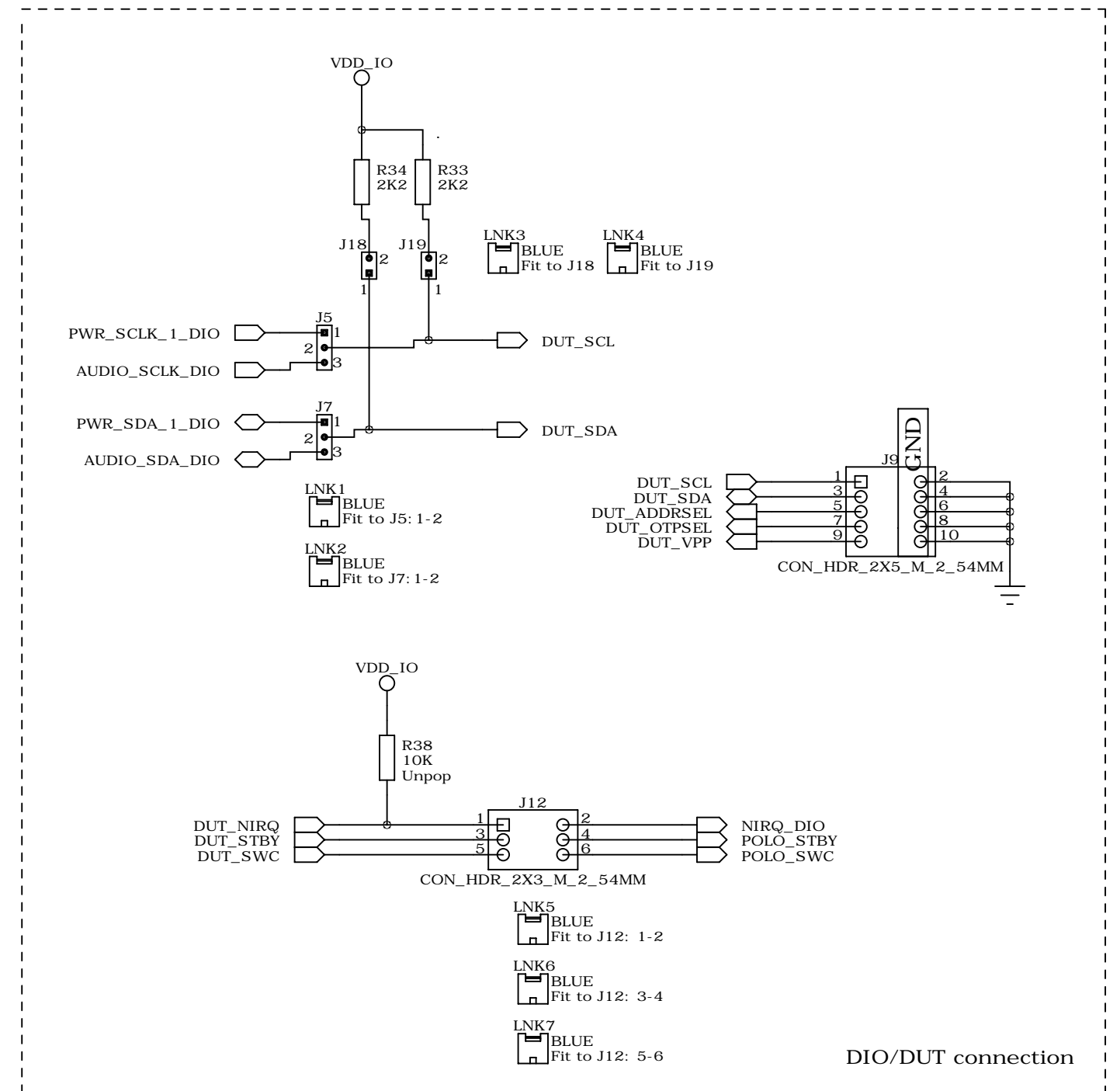
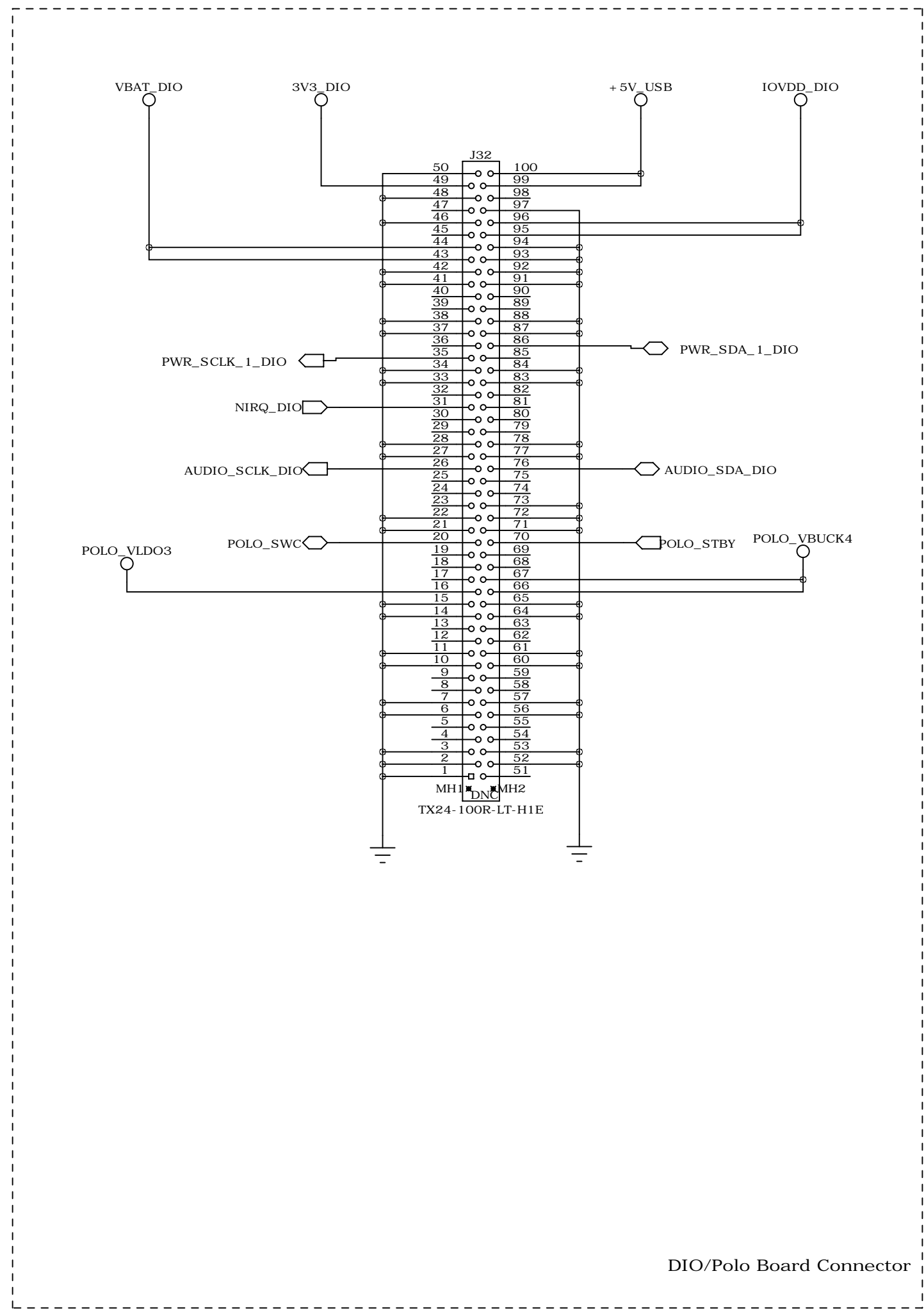


LDO Supply Selection



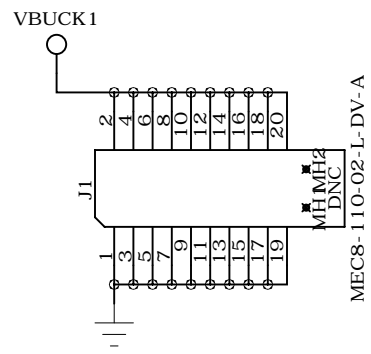
CONFIDENTIAL INFORMATION		TITLE: PV88090 Performance Board	
PREPARED: MV	DATED: 31/03/2015	DRAWING NO: 281-01-A	REV: A2
RESPONSIBLE: MV	DATED: 03/03/2015	SHEET NAME: PV88090	PAGE: 1 OF 5



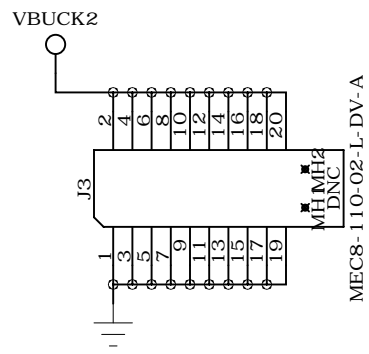


CONFIDENTIAL INFORMATION		TITLE: PV88090 Performance Board		
PREPARED: MV	DATED: 31/03/2015	DRAWING NO: 281-01-A	REV: A2	
RESPONSIBLE: MV	DATED: 03/03/2015	SHEET NAME: DIO_CONNECTION		PAGE: 2 OF 5

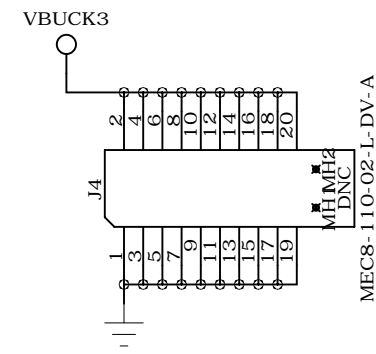
Hammer connector for BUCK1



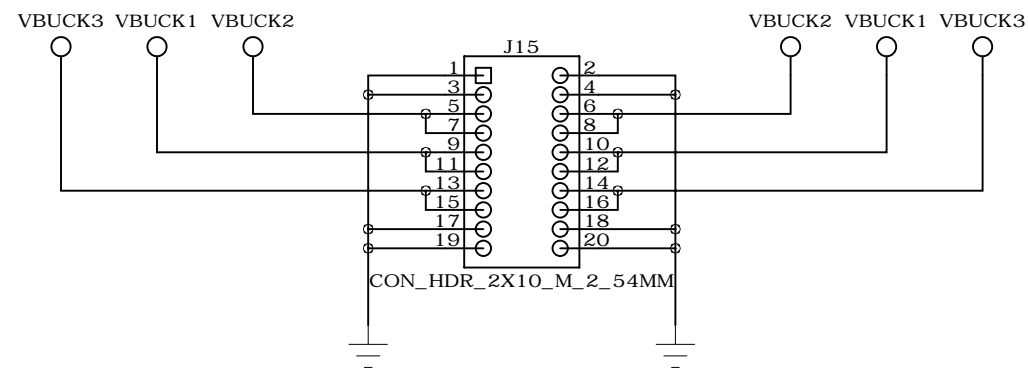
Hammer connector for BUCK2



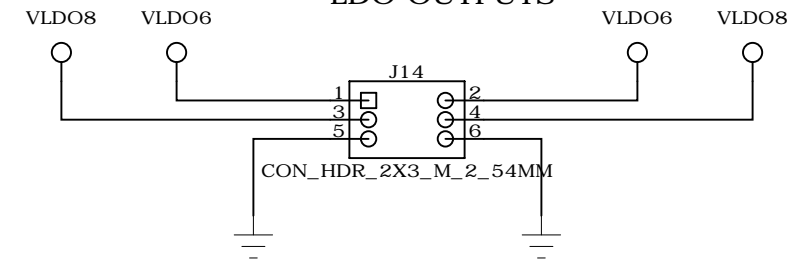
Hammer connector for BUCK3



BUCK OUTPUTS

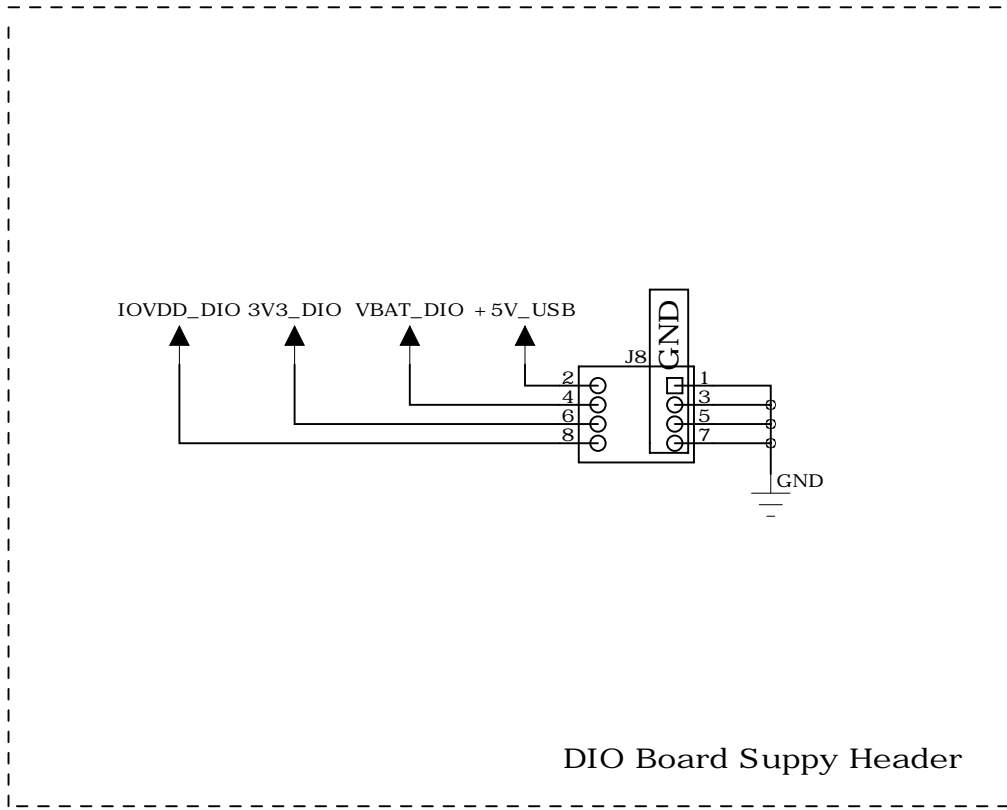
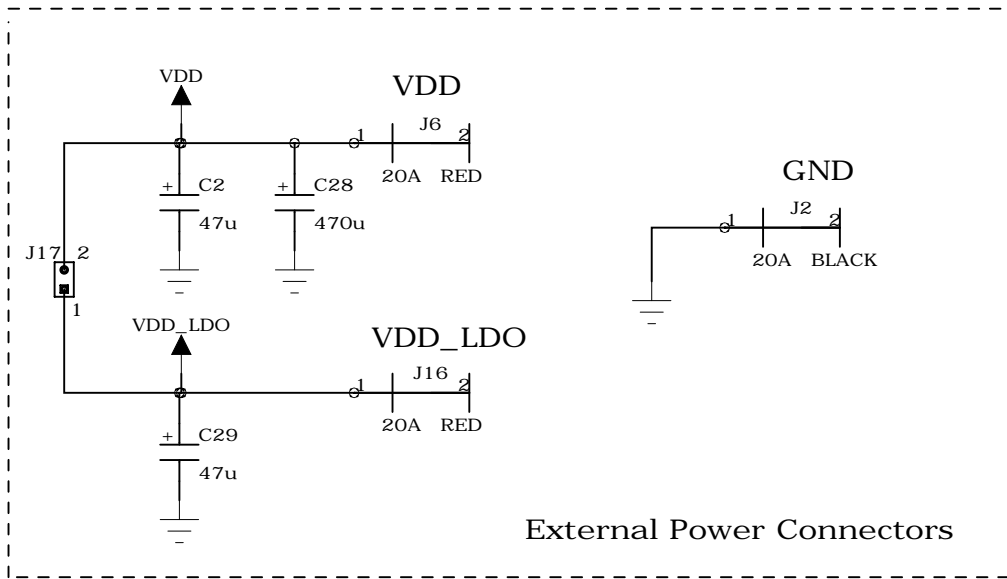
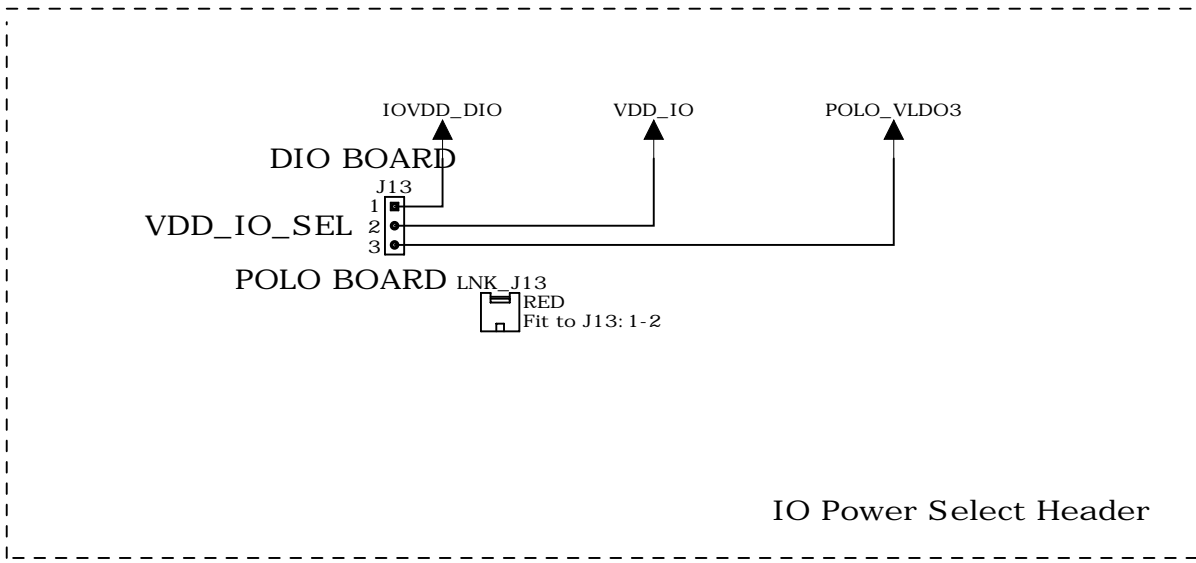


LDO OUTPUTS



CONFIDENTIAL INFORMATION		TITLE: PV88090 Performance Board	
PREPARED: MV	DATED: 31/03/2015	DRAWING NO: 281-01-A	REV: A2
RESPONSIBLE: MV	DATED: 03/03/2015	SHEET NAME: OUTPUTS	





CONFIDENTIAL INFORMATION		TITLE: PV88090 Performance Board		
PREPARED: MV	DATED: 31/03/2015	DRAWING NO: 281-01-A	REV: A2	
RESPONSIBLE: MV	DATED: 03/03/2015	SHEET NAME: POWER		
				PAGE: 4 OF 5