

SLG46620-A

ISSUE 1: ACMP IN- Leakage Current when Powered Down

Functional Block Affected: ACMPs

Description:

There is a leakage current from the EXT Vref pin when ACMP uses EXT Vref and the ACMP is powered down.

Workaround:

- Currently there is no workaround. The only alternative is to turn off the IN- external Vref source.

ISSUE 2: ACMP Output Glitch due to Ring OSC Operation

Functional Blocks Affected: W/S Control, ACMP

Description:

The output of the ACMP incorrectly goes low even when IN+ is greater than IN- if the RING OSC is active when the WS signal rises

Channel 1 – ACMP out

Channel 2 – WS_OUT



Workaround:

- Avoid using the RING OSC with the WS Controller, or add a filtering block on the ACMP output to filter out the glitch.

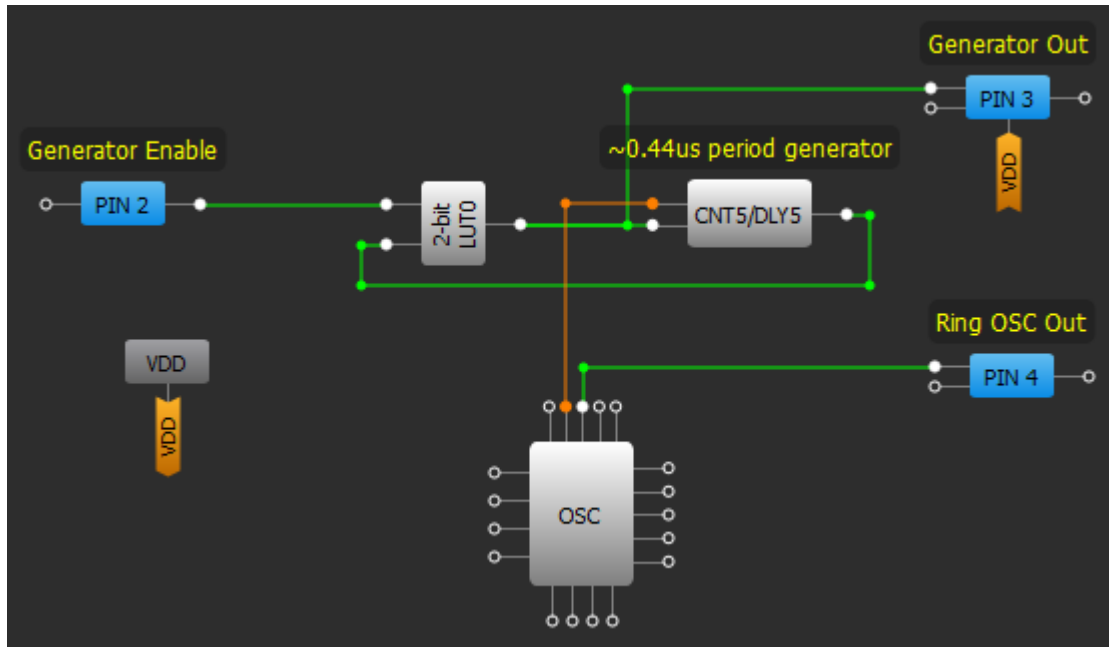
ISSUE 3: Long Ring OSC Settling Time

Functional Block Affected: Ring OSC, Delay, Counter

Description:

The Ring OSC has a longer settling time when configured as Auto Power On in the designs that have very short Ring OSC disable time. An example of this issue is shown in the following configuration:

SLG46620-A



2-bit LUT0				
IN3	IN2	IN1	IN0	OUT
0	0	0	0	0
0	0	0	1	0
0	0	1	0	1
0	0	1	1	0

OSC

LF OSC RC OSC **RING OSC**

Ring OSC power mode: Auto power on

Ring OSC frequency: 27.25 MHz

Ring matrix power down: Enable

Ring clock predivider by: 1

PWM & ADC clock source: RC OSC

Ring clock to matrix input: Enable

"OUT1" second divider by: 1

8-bit CNT5/DLY5

Mode: Delay

Counter data: 10
(Range: 1 - 255)

Delay time: 0.44 us [Formula](#)

Edge select: Rising

Counter value control: None

DFF bypass enable: None

Connections

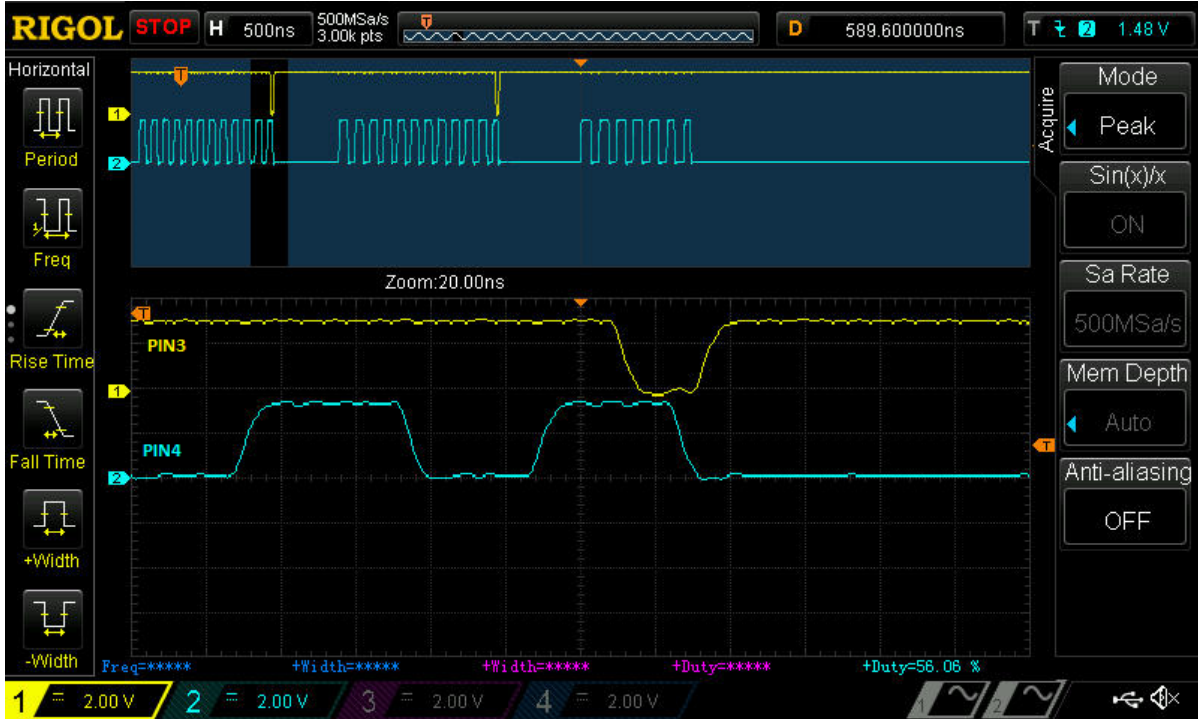
FSM data: None

Clock: Ring OSC CLK

Clock source: Ring OSC CLK Freq.

The configuration shown above generates a periodical signal with a frequency defined by the Delay cell and started by a high signal on PIN2. The issue becomes apparent in a longer settling time when the scheme generates short pulses (Delay is configured as a rising edge delay only). See waveform below.

SLG46620-A

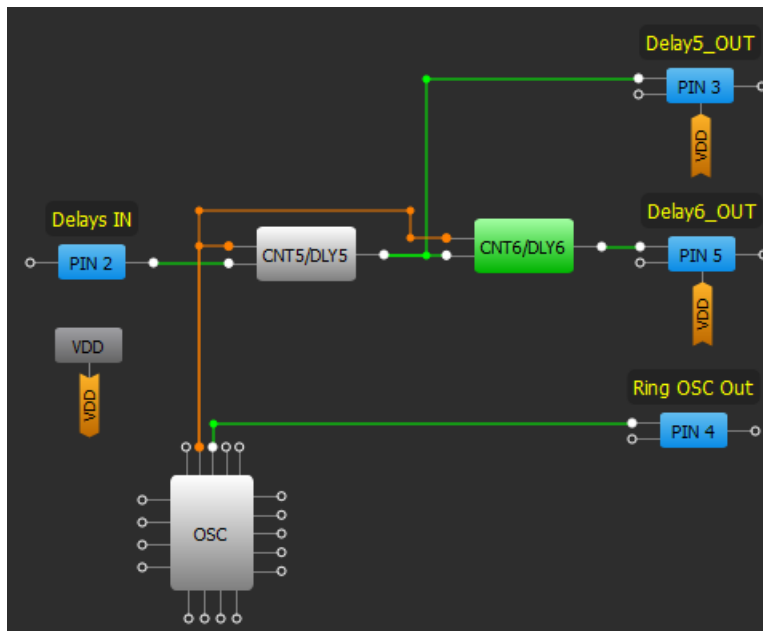


Channel 1 – 2-bit LUT0 output; Channel 2 – Ring OSC output

Such behavior will lead to substantial error in period calculations if the delay time is relatively small.

A similar situation can occur while using two connected delays (all edge detect types except for a pair “Rising edge DLY – Falling edge DLY”).

In the following example, Delay5 and Delay6 are configured in the same way. However, Delay5 time is 11.4us instead of expected 0.4us (Delay5 time).



SLG46620-A



Workaround:

- Set Ring OSC power mode to “Force Power On”
- or, Set Turn on by register option in BG (Band Gap) block as “Enable”

ISSUE 4: PGA has an Offset when loaded

Functional Block Affected: PGA, Vref

Description:

The PGA block has an offset when its output through the VREF is loaded. For reference, the table below shows the load vs PGA 4x gain.

Load, mA	Gain (ideal = 4x)
0	3.87
1	3.84
5	3.78
10	3.71
20	3.5
40	3
80	2.2
160	1.4

When the load current is higher than 10 mA the output offset is large and may influence the design operation significantly.

Workaround:

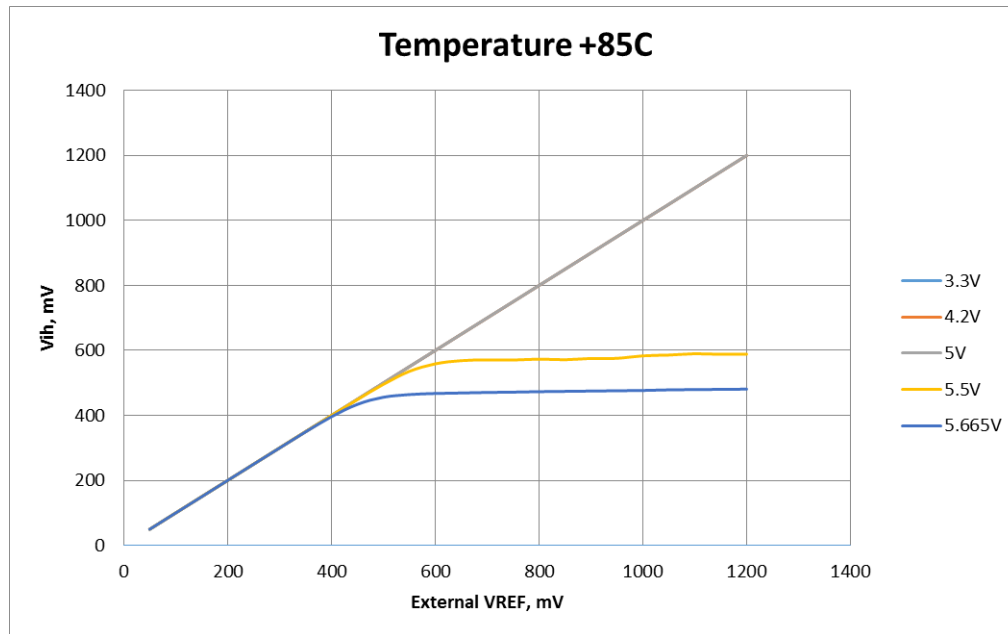
- Use an external buffer to support high load.

SLG46620-A

ISSUE 5: ACMP Output is Inaccurate when using External Vref at High VDD and Temperature Functional Block Affected: ACMP

Description:

When using external Vref source, the ACMP comparison may happen at wrong threshold if the external Vref voltage is higher than a particular value (please see figure below) at high VDD values (> 5V) and high temperature.



Workaround:

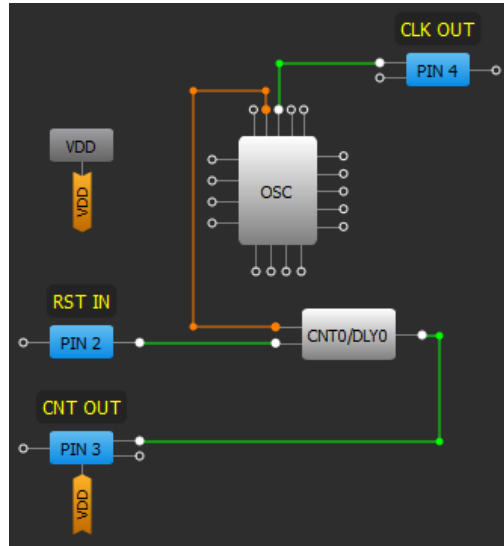
- Avoid using ACMPs in such conditions.

ISSUE 6: Incorrect Counter Operation after the Reset Functional Block Affected: Counter

Description:

If the Counter Reset occurs at a time very close to a rising edge of the clock signal during clock signal generation (for example OSC operation), there is a possibility that the Counter Data of the Counter is reset incorrectly and the counter end signal (HIGH pulse) may appear faster than expected. This phenomena appears more frequently the higher the clock frequency is.

SLG46620-A



WS Ctrl/14-bit CNT0/DLY0

Type: CNT/DLY

Mode: Counter

Counter data: 20
(Range: 1 - 16383)

Output period (typical): 0.78 us [Formula](#)

Edge select: High level reset

Counter value control: None

DFF bypass enable: None

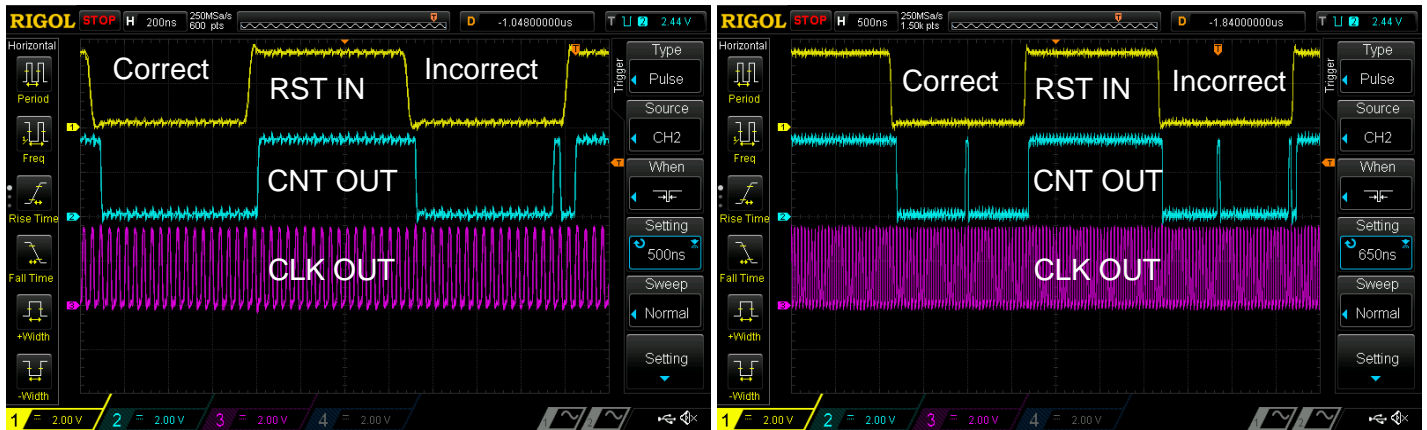
Connections

FSM data: None

Clock: Ring OSC CLK

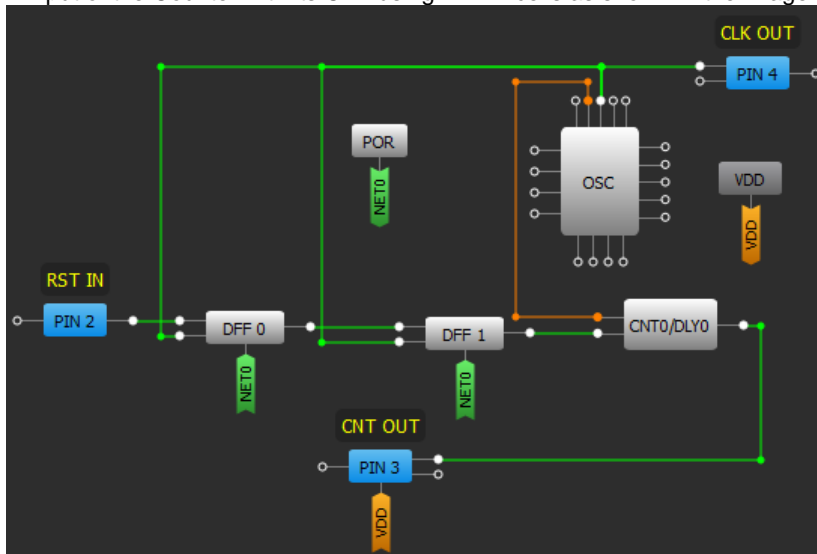
Clock source: Ring OSC Freq.

Clock frequency: 27000 kHz



Workaround:

- Synchronize RESET input of the Counter with its CLK using 2 DFF cells as shown in the image below.



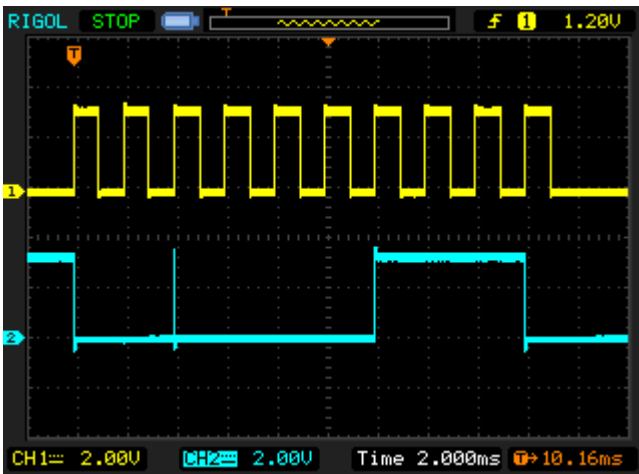
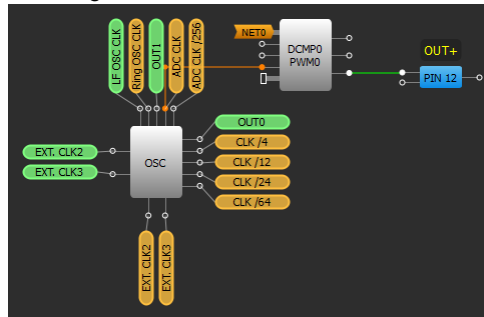
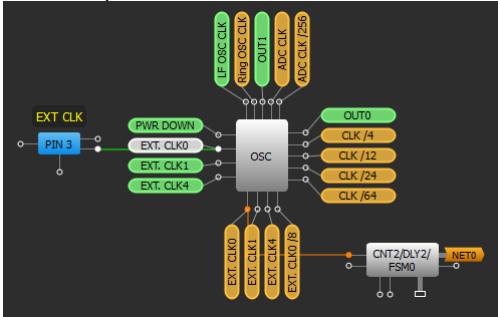
SLG46620-A

ISSUE 7: DCMP OUT+ Output Glitch Functional Block Affected: DCMPs

Description:

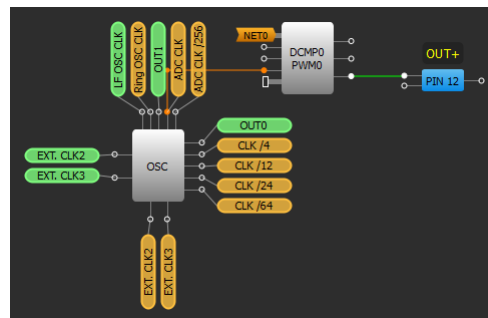
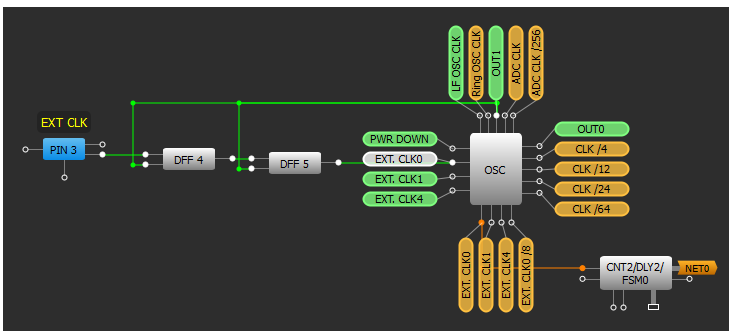
DCMP's OUT+ output may have a glitch when the input data is changed. This issue appears more frequently the higher DCMP clock is.

For example, DCMP IN+ sources from FSM0 and IN- from Register0. DCMP is clocked from the Ring OSC.



Workaround:

- Synchronize the data source clock with the DCMP clock source using 2 DFF cells as shown in the images below.



SLG46620-A

Disclaimer

Unless otherwise agreed in writing, the Dialog Semiconductor products (and any associated software) referred to in this document are not designed, authorized or warranted to be suitable for use in life support, life-critical or safety-critical systems or equipment, nor in applications where failure or malfunction of a Dialog Semiconductor product (or associated software) can reasonably be expected to result in personal injury, death or severe property or environmental damage. Dialog Semiconductor and its suppliers accept no liability for inclusion and/or use of Dialog Semiconductor products (and any associated software) in such equipment or applications and therefore such inclusion and/or use is at the customer's own risk.

Information in this document is believed to be accurate and reliable. However, Dialog Semiconductor does not give any representations or warranties, express or implied, as to the accuracy or completeness of such information. Dialog Semiconductor furthermore takes no responsibility whatsoever for the content in this document if provided by any information source outside of Dialog Semiconductor.

Dialog Semiconductor reserves the right to change without notice the information published in this document, including, without limitation, the specification and the design of the related semiconductor products, software and applications. Notwithstanding the foregoing, for any automotive grade version of the device, Dialog Semiconductor reserves the right to change the information published in this document, including, without limitation, the specification and the design of the related semiconductor products, software and applications, in accordance with its standard automotive change notification process.

Applications, software, and semiconductor products described in this document are for illustrative purposes only. Dialog Semiconductor makes no representation or warranty that such applications, software and semiconductor products will be suitable for the specified use without further testing or modification. Unless otherwise agreed in writing, such testing or modification is the sole responsibility of the customer and Dialog Semiconductor excludes all liability in this respect.

Nothing in this document may be construed as a license for customer to use the Dialog Semiconductor products, software and applications referred to in this document. Such license must be separately sought by customer with Dialog Semiconductor.

All use of Dialog Semiconductor products, software and applications referred to in this document is subject to Dialog Semiconductor's [Standard Terms and Conditions of Sale](#), available on the company website (www.dialog-semiconductor.com) unless otherwise stated.

Dialog, Dialog Semiconductor and the Dialog logo are trademarks of Dialog Semiconductor Plc or its subsidiaries. All other product or service names and marks are the property of their respective owners.

© 2019 Dialog Semiconductor. All rights reserved.

RoHS Compliance

Dialog Semiconductor's suppliers certify that its products are in compliance with the requirements of Directive 2011/65/EU of the European Parliament on the restriction of the use of certain hazardous substances in electrical and electronic equipment. RoHS certificates from our suppliers are available on request.

Contacting Dialog Semiconductor

United Kingdom (Headquarters)

Dialog Semiconductor (UK) LTD
Phone: +44 1793 757700

Germany

Dialog Semiconductor GmbH
Phone: +49 7021 805-0

The Netherlands

Dialog Semiconductor B.V.
Phone: +31 73 640 8822

Email:

enquiry@diasemi.com

North America

Dialog Semiconductor Inc.
Phone: +1 408 845 8500

Japan

Dialog Semiconductor K. K.
Phone: +81 3 5769 5100

Taiwan

Dialog Semiconductor Taiwan
Phone: +886 281 786 222

Web site:

www.dialog-semiconductor.com

Hong Kong

Dialog Semiconductor Hong Kong
Phone: +852 2607 4271

Korea

Dialog Semiconductor Korea
Phone: +82 2 3469 8200

China (Shenzhen)

Dialog Semiconductor China
Phone: +86 755 2981 3669

China (Shanghai)

Dialog Semiconductor China
Phone: +86 21 5424 9058