

SLG46867

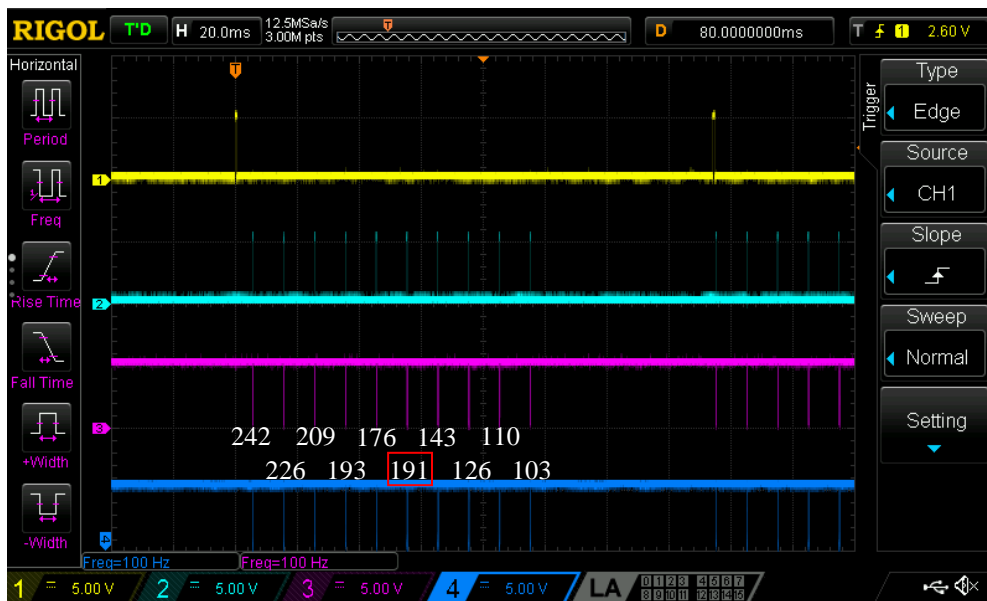
ISSUE 1: Incorrect I²C Reads of the 8-bit Counter Registers
Functional Blocks Affected: CNT2/DLY2 and CNT4/DLY4

Description:

Asynchronous interaction between the CNT/DLY clock input and the I²C latch signal (generated by an I²C read command of the CNT/DLY block's count value) can result in an incorrect I²C data read. The CNT/DLY block will count accurately, but the count value transferred into the block's I²C read register might be loaded incompletely if the I²C latch signal and the clock input occur at about the same time.

The example data capture below shows ten periodic I²C reads of CNT2/DLY2 configured to count down at about 16 clocks per read. The sixth read sample erroneously shows a value greater than that of the fifth. The seventh sample reads as if the previous I²C error never occurred - the difference from the fifth sample (176) to the seventh (143) is 33 clocks or 16 clocks + 17 clocks as expected.

- Channel 1 (yellow/top line) – PIN#2 (CNT2/DLY2 Out)
- Channel 2 (light blue/2nd line) – PIN#1 (I²C Read Triggers)
- Channel 3 (magenta /3rd line) – PIN#8 (I²C SCL)
- Channel 3 (dark blue /4th line) – PIN#9 (I²C SDA)



Workaround:

If the possibility of incorrect I²C data reads can't be accommodated for by external software checks, one can guarantee proper operation by stopping the CNT/DLY block's clock during I²C reads through one of the following methods: by disabling the oscillator block, by reconfiguring the CNT/DLY block's clock source, or by gating an external clock using a LUT (Look-up Table) in the signal matrix. After disabling the CNT/DLY block's clock, the count registers can be read without error. Please note that this workaround will add the I²C read and processing time to the counter's overall clock period.

The best workaround depends on the resource constraints of the application. If the oscillator block doesn't clock other logic elements within the design, a matrix output can be used to manually power down the oscillators for the I²C read. When the CNT/DLY block's clock source is routed internally from the oscillator block, I²C commands can temporarily reconfigure the CNT/DLY block's clock source registers to select "Ext. CLK. (From Matrix)." This action will disable the clock by connecting it to ground. If the CNT/DLY block is clocked from the signal matrix, a LUT can be used to gate the clock during an I²C read.

SLG46867

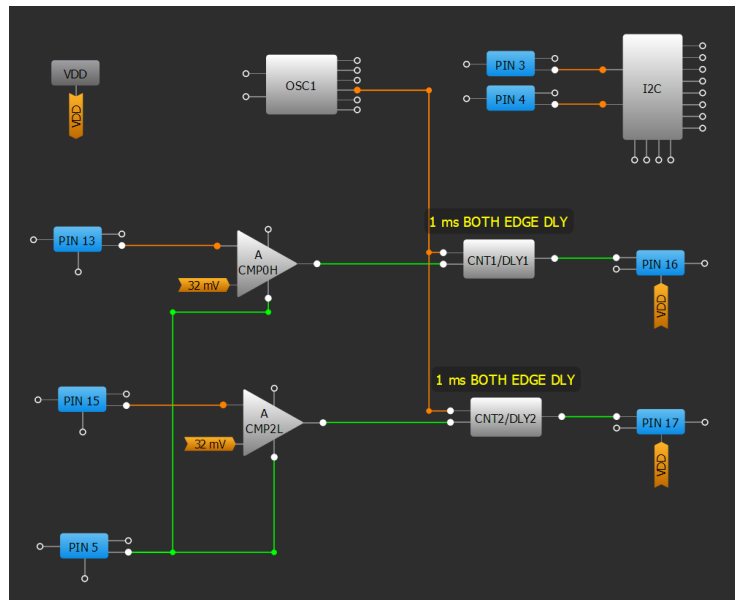
ISSUE 2: Noise Coupling from VREF0 to Low-Power Bandgap Functional Blocks Affected: All ACMPs

Description:

There is some noise coupling from the VREFs of high-speed ACMPs to the low-power bandgap (BG) while the high-speed ACMPs VREF is turning on and off.

Workaround:

There is no issue with manually powering up the low-speed ACMPs. If you are manually powering up the high-speed ACMPs via the "PWR UP" connector, you should add a 1 ms delay to the output of all of the ACMPs used in the design.



ISSUE 3: Unstable VREF Output Buffer Functional Blocks Affected: Both VREF Output

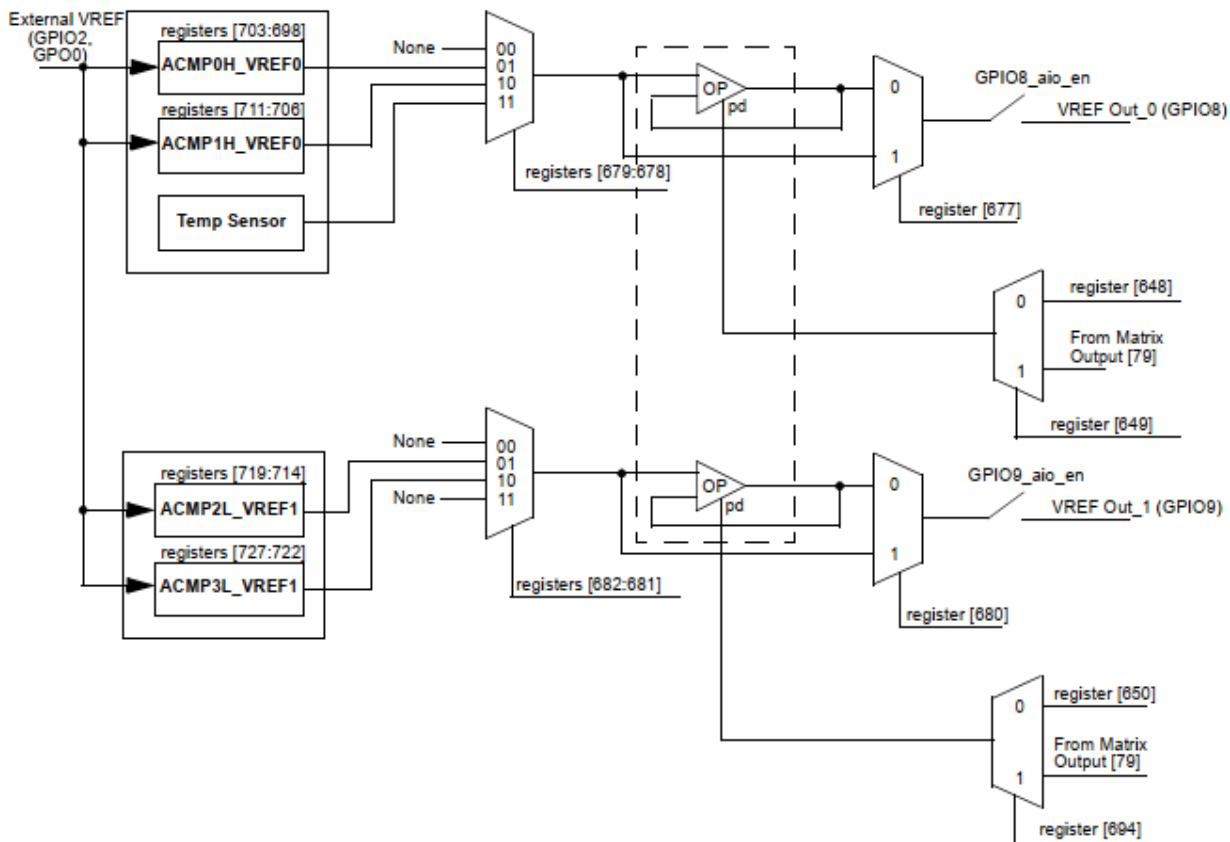
Description:

For systems where $V_{DD} = 2.5$ V, the VREF output buffer will be unstable if the output voltage is around $0.5 \times V_{DD}$.

Workaround:

For a system where $V_{DD} = 2.5$ V, bypass the buffer if the output voltage of the VREF buffer is within $(0.5 \times V_{DD}) \pm 0.4$. Check the VREF section of the device datasheet to see which registers need to be modified.

SLG46867



ISSUE 4: Incorrect Data Write Functional Blocks Affected: I²C

Description:

When performing a masked I²C write, unchanged bits in the 8-bit I²C bus may be coupled to the changed bits due to the large coupling capacitor between the I²C bus bits, leading to incorrect data being written.

Workaround:

There is no workaround, but this will be fixed in the next silicon revision.

ISSUE 5: Extra 300 μ A Current Consumption when using SCL and SDA Pins as GPIO Functional Blocks Affected: GPIO0, GPIO1

Description:

When using the I²C SCL and SDA pins as GPIO outputs, there is an internal block that causes about 300 μ A of current consumption. This does not appear when the I²C pins are used as either digital input pins or as I²C pins.

Workaround:

There is no workaround. It is not recommended to use these pins as Digital Outputs.

SLG46867

ISSUE 6: Leakage from ACMP IN+ to Analog Input Pins
Functional Blocks Affected: GPIO4/5/6/7, ACMP0/1H, ACMP2/3L

Description:

When configured in “Analog IO” mode, GPIO4/5/6/7 can experience abnormal leakage behavior. This behavior occurs when multiple input sources are simultaneously connected to the ACMP IN+ port. Each of the 4 ACMPs has an input MUX which selects the IN+ source for the comparator. The MUX options are shown in the table below.

Table 1: ACMP Input Options

ACMP IN+ MUX Options	
ACMP0H	GPIO4 Buffered GPIO4 VDD
ACMP1H	GPIO5 Buffered GPIO5 ACMP0H IN+ source
ACMP2L	GPIO6 ACMP0H IN+ source ACMP1H IN+ source
ACMP3L	GPIO7 ACMP2L IN+ source VREF0 output

In the GreenPAK Designer, the input source is selected by the IN+ source dropdown within the ACMP’s properties window. When an input source is selected and the ACMP is enabled, an analog switch connects the source to the ACMP’s IN+ port. If multiple sources are connected to the ACMP’s IN+ port, there will be leakage between the sources.

The GPIOs shown above can be repurposed as Digital IOs if the ACMPs are disabled or if another input source is selected for the ACMP by the IN+ input MUX. Whenever a GPIO input mode is configured as an “Analog IO” in accordance with the register definition below, the GPIO will be connected to the ACMP’s IN+ port through an internal switch. This can create a leakage scenario if the ACMP is enabled and connected to another input source.

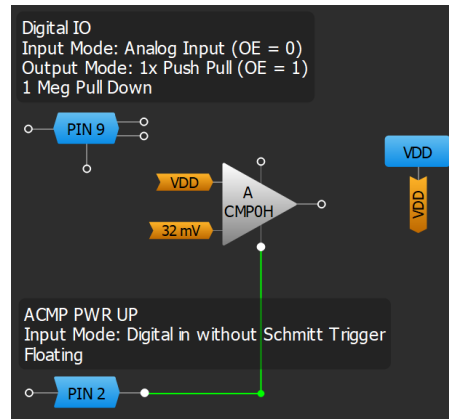
Table 2: GPIO Input Mode Configurations

Byte	Register Bit	Signal Function	Register Bit Definition
GPIO4			
0x66	821	Input Mode Configuration	00: Digital without Schmitt Trigger 01: Digital with Schmitt Trigger 10: Low Voltage Digital In 11: Analog IO
	822		
GPIO5			
0x67	829	Input Mode Configuration	00: Digital without Schmitt Trigger 01: Digital with Schmitt Trigger 10: Low Voltage Digital In 11: Analog IO
	830		
GPIO6			
0x68	836	Input Mode Configuration	00: Digital without Schmitt Trigger 01: Digital with Schmitt Trigger 10: Low Voltage Digital In 11: Analog IO
	837		
GPIO7			
0x69	843	Input Mode Configuration	00: Digital without Schmitt Trigger 01: Digital with Schmitt Trigger 10: Low Voltage Digital In 11: Analog IO
	844		

There are 3 standard GPIO settings that use the “Analog IO” configuration: Analog input/output, Digital input/output (with “Input mode” set to Analog input), and Digital output (with “Output mode” set to 1/2/4x 3-State Output). The first setting is reserved for use with the ACMP, but the other two settings use the “Analog IO” configuration as a high-impedance input. It is important to note that these input modes won’t be high impedance if the ACMP is enabled and connected to another input source. When two signals are connected to the ACMP’s IN+ source, the voltage level at the ACMP’s input depends upon the drive strength of the competing sources.

SLG46867

Figure below shows the GreenPAK configured with GPIO4 as a Digital IO with a 1MΩ pull down resistor. Since the OE pin is connected to 0V, this pin is acting as an “Analog IO.” As seen in [Table 1](#) above, GPIO4 and VDD are both input options for ACMP0H. In this example, GPIO is being used as a digital input to enable and disable the ACMP.

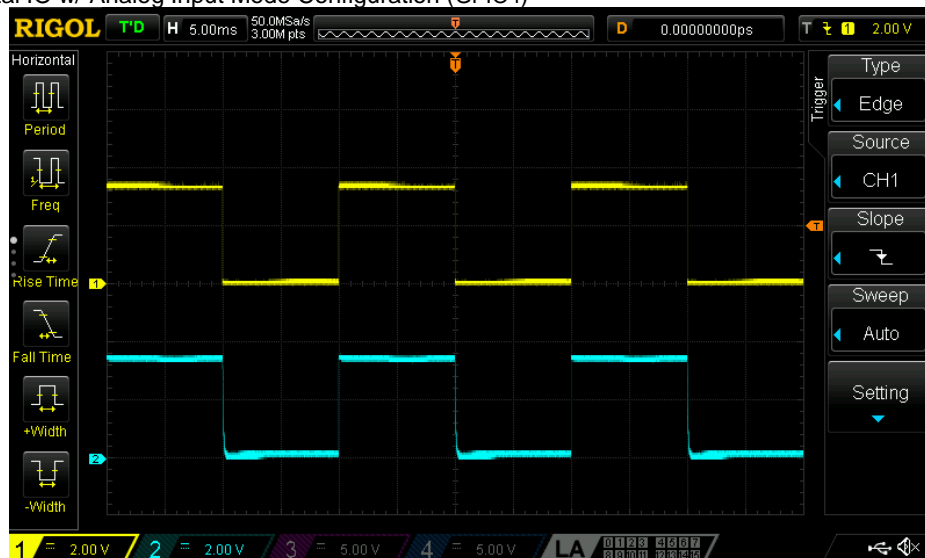


GreenPAK Input Structure Test Schematic

Figure below shows that GPIO4 in analog input mode is pulled HIGH by the VDD signal whenever the ACMP is enabled despite having an internal pull down resistor. This behavior is caused by an internal connection between VDD and GPIO4. Similar behavior can be reproduced when one ACMP’s IN+ port is connected to another ACMP’s IN+ port.

CH1 (Yellow): ACMP PWR UP (GPIO)

CH3 (Light Blue): Digital IO w/ Analog Input Mode Configuration (GPIO4)



ACMP Input Structure Behavior

Workaround:

If an ACMP is disabled, the GPIO associated with that ACMP will operate as expected under any configuration. Please reference [Table 1](#) above for more information regarding which GPIOs are associated with which ACMPs.

When the ACMPs are enabled, it is possible to inadvertently connect multiple ACMP sources together through the input structure. This is possible when the ACMP input is connected to a source other than its analog GPIO and that GPIO’s input mode is set to “Analog IO”.

SLG46867

There is no workaround for this behavior. With this in mind, the GPIOs should not be used as digital IOs (with “Input mode” set to Analog input) or as digital outputs (with “Output mode” set to 1/2/4x 3-State Output) if the respective ACMP is enabled and connected to another input source.

SLG46867

Disclaimer

Unless otherwise agreed in writing, the Dialog Semiconductor products (and any associated software) referred to in this document are not designed, authorized or warranted to be suitable for use in life support, life-critical or safety-critical systems or equipment, nor in applications where failure or malfunction of a Dialog Semiconductor product (or associated software) can reasonably be expected to result in personal injury, death or severe property or environmental damage. Dialog Semiconductor and its suppliers accept no liability for inclusion and/or use of Dialog Semiconductor products (and any associated software) in such equipment or applications and therefore such inclusion and/or use is at the customer's own risk.

Information in this document is believed to be accurate and reliable. However, Dialog Semiconductor does not give any representations or warranties, express or implied, as to the accuracy or completeness of such information. Dialog Semiconductor furthermore takes no responsibility whatsoever for the content in this document if provided by any information source outside of Dialog Semiconductor.

Dialog Semiconductor reserves the right to change without notice the information published in this document, including, without limitation, the specification and the design of the related semiconductor products, software and applications. Notwithstanding the foregoing, for any automotive grade version of the device, Dialog Semiconductor reserves the right to change the information published in this document, including, without limitation, the specification and the design of the related semiconductor products, software and applications, in accordance with its standard automotive change notification process.

Applications, software, and semiconductor products described in this document are for illustrative purposes only. Dialog Semiconductor makes no representation or warranty that such applications, software and semiconductor products will be suitable for the specified use without further testing or modification. Unless otherwise agreed in writing, such testing or modification is the sole responsibility of the customer and Dialog Semiconductor excludes all liability in this respect.

Nothing in this document may be construed as a license for customer to use the Dialog Semiconductor products, software and applications referred to in this document. Such license must be separately sought by customer with Dialog Semiconductor.

All use of Dialog Semiconductor products, software and applications referred to in this document is subject to Dialog Semiconductor's [Standard Terms and Conditions of Sale](#), available on the company website (www.dialog-semiconductor.com) unless otherwise stated.

Dialog, Dialog Semiconductor and the Dialog logo are trademarks of Dialog Semiconductor Plc or its subsidiaries. All other product or service names and marks are the property of their respective owners.

© 2019 Dialog Semiconductor. All rights reserved.

Contacting Dialog Semiconductor

United Kingdom (Headquarters)

Dialog Semiconductor (UK) LTD
Phone: +44 1793 757700

Germany

Dialog Semiconductor GmbH
Phone: +49 7021 805-0

The Netherlands

Dialog Semiconductor B.V.
Phone: +31 73 640 8822

Email:

enquiry@diasemi.com

North America

Dialog Semiconductor Inc.
Phone: +1 408 845 8500

Japan

Dialog Semiconductor K. K.
Phone: +81 3 5769 5100

Taiwan

Dialog Semiconductor Taiwan
Phone: +886 281 786 222

Web site:

www.dialog-semiconductor.com

Hong Kong

Dialog Semiconductor Hong Kong
Phone: +852 2607 4271

Korea

Dialog Semiconductor Korea
Phone: +82 2 3469 8200

China (Shenzhen)

Dialog Semiconductor China
Phone: +86 755 2981 3669

China (Shanghai)

Dialog Semiconductor China
Phone: +86 21 5424 9058