

Figure 4. SLG59M1526V Connection Circuit

Content

1. Description
2. Power and Ground Planes

Description

The SLG59M1526V is 17 mΩ, ~ 4.5 A dual-channel load switch that is able to switch 1.0 to 5.25 V power rails. The product is packaged in an ultra-small 2 x 3 mm package.

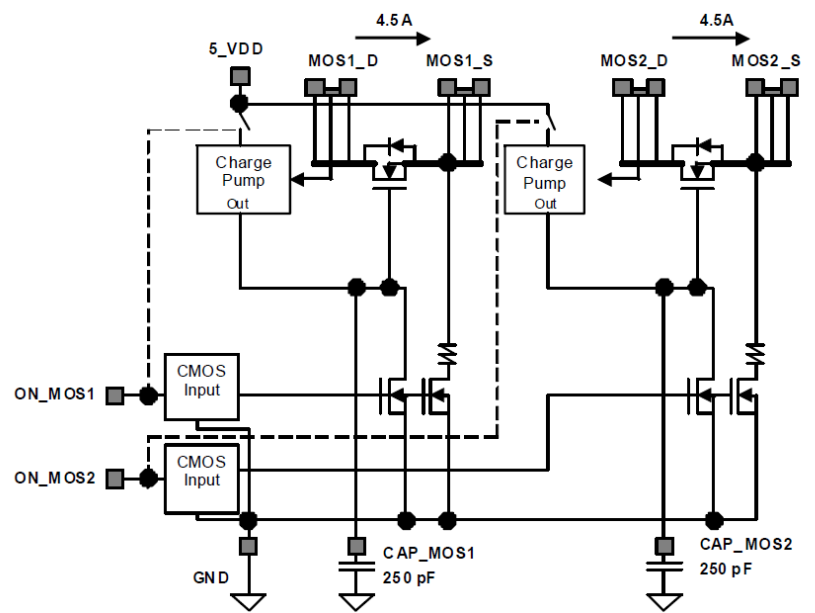


Figure 1: SLG59M1526V Block Diagram

