

User Manual

GreenPAK Serial Debugger

UM-GP-004

GreenPAK Serial Debugger

Contents

Contents	2
Figures	2
Tables	2
1 Terms and Definitions	3
2 Description	4
3 Using GreenPAK Serial Debugger	6
3.1 In-System Programming	6
3.2 In-System Debugging.....	6
Appendix A Schematic Diagram	7
Appendix B BOM	8
Revision History	9

Figures

Figure 1: GreenPAK Serial Debugger Top View	5
Figure 2: PCB	5

Tables

Table 1: GreenPAK Serial Debugger LED Indicators	4
Table 2: GreenPAK Serial Debugger On-Board Protection	4

GreenPAK Serial Debugger

1 Terms and Definitions

FET	Field-Effect Transistor
GND	Ground
HID	Human Interface Device
ISP	In-System Programming
LDO	Low Dropout Voltage Regulator
LED	Light Emitting Diode
NVM	Non-Volatile Memory
OCP	Over-Current Protection
OTP	Over-Temperature Protection
OVP	Overvoltage Protection
PCB	Printed Circuit Board
PTC	Positive Temperature Coefficient Resistor
SCL	I ² C Clock Input
SCP	Short Circuit Protection
SDA	I ² C Data Input/Output
USB	Universal Serial Bus
V _{DD}	Power Supply

GreenPAK Serial Debugger

2 Description

GreenPAK Serial Debugger (GSD) device can be used for programming GreenPAK products with multiple time Non-Volatile Memory (NVM) or for configuring the interconnect logic, the IOs, and the macrocells of all GreenPAK chips with I²C interface.

The GSD works with the GreenPAK Designer version 6.xx and above. Select the GSD in the “Development Platform Selector” window and click on the “Program” or “Emulate” button.

Supported operational systems:

- Windows - XP (SP3), Vista, 7, 8, and 8.1, 10
- Linux - any distribution with support for CDC and HID classes
- Mac OS - all versions starting from 10.7

GSD is the Human Interface Device (HID) and does not require any additional drivers.

The device runs as an I²C Master. The Data to read/write on the I²C Bus is conveyed by the USB interface with a speed of 12 Mb/s. I²C interface clock rate of GreenPAK Serial Debugger is up to 400 kHz.

Chip programming/emulation/debugging is done through the I²C protocol via four chip pins: V_{DD}, SCL, SDA, and GND.

When the GSD is connected to USB, the “Power” LED turns on. The connected chip can be powered from the GSD or from an external power. GSD can deliver voltage from 0.9 V to 5.0 V with a maximum output current of up to 100 mA.

GSD detects the external power and switches off its V_{DD} line (in this case, I²C pull-up resistors will be connected to the external power supply).

Table 1: GreenPAK Serial Debugger LED Indicators

GSD State	Power LED	Status LED
Standby mode	On	Off
Emulation mode	On	Blink
Program mode	On	Blink
Overvoltage protection at V _{DD} line	Blink	Off
Over-temperature protection	Off	Off

Table 2: GreenPAK Serial Debugger On-Board Protection

Protection	Description
Over-current protection (OCP)	PTC limits maximum V _{DD} current equals 100 mA.
Short circuit protection (SCP)	PTC limits maximum V _{DD} current equals 100 mA.
Overvoltage protection (OVP)	When the external power supply voltage exceeded 5.6 V, FET U1 and power supply LDO IC2 are turned off and Power LED starts to blink.
Over-temperature protection (OTP)	When the IC2 temperature exceeds 75 °C, FET U1 and power supply LDO IC2 are turned off and Power and Status LEDs are also turned off.

GreenPAK Serial Debugger

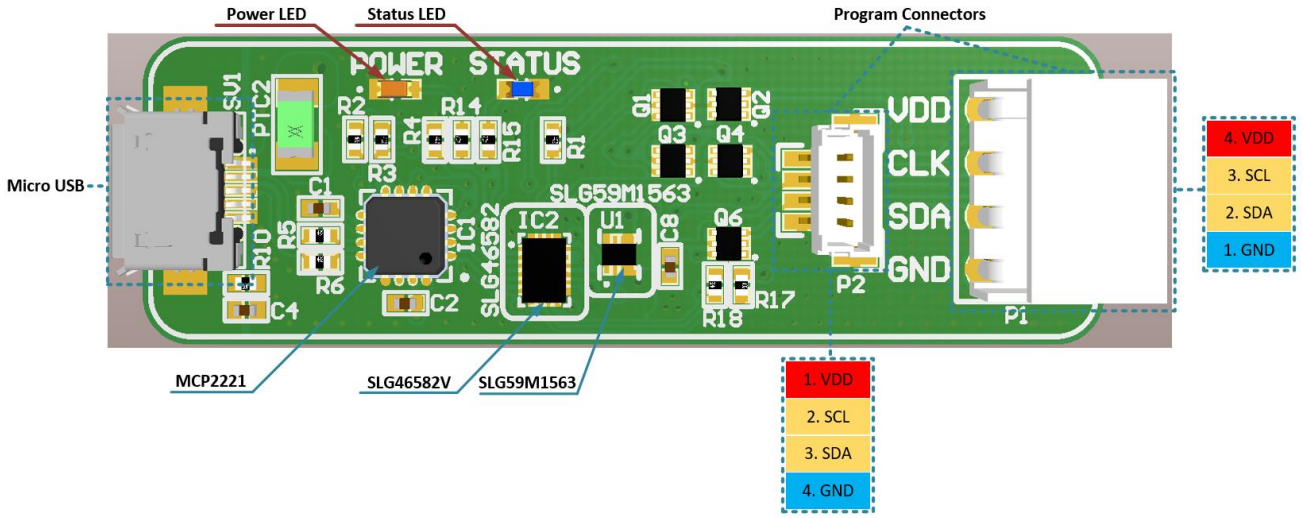


Figure 1: GreenPAK Serial Debugger Top View

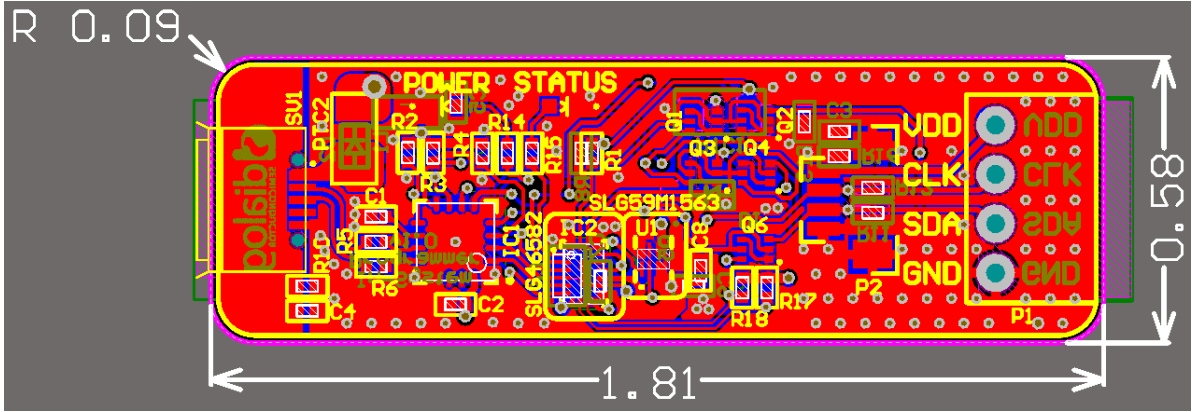


Figure 2: PCB

Note 1 All sizes in inches.

GreenPAK Serial Debugger

3 Using GreenPAK Serial Debugger

3.1 In-System Programming

The GSD allows emulating and programming chips with multiple time programmable Non-Volatile Memory only. The chip is programmed/emulated through the I²C protocol via four pins: V_{DD}, SCL, SDA, and GND.

When the GSD is connected to the USB port, the "Power" LED turns on. The ISP connector (P1 or P2) should be connected to the external board. The programmed chip can be powered from the GSD or from the external power supply. The GSD detects the external power and switches off its V_{DD} line (in this case, I²C pull-up resistors are connected to the external power supply).

There are two options for the User to make a connection between the GSD and their target board:

- The P1 connector has four signals for SDA, SCL, power, and ground. This connector can be used to make physical and electrical connection to the target board. To enable this, the User should place a duplicate of this connector on the target board. The part number of this connector is Molex Connector Corporation 0022152046. This connector was chosen for its small physical size.
- The P2 connector also has the same four signals for SDA, SCL, power, and ground. This connector has 0.1" spacing, which will support a variety of industry-standard cabling options. Additionally, Target Board Cable is included with the GSD. If the User prefers to use this option, the cabling mating connector on the target board must be chosen. The part number for this connector is BM04B-SRSS-TB(LF)(SN).

The GSD is equipped with on-board protection and LED indicators, please refer to [Table 1](#) and [Table 2](#) for more information.

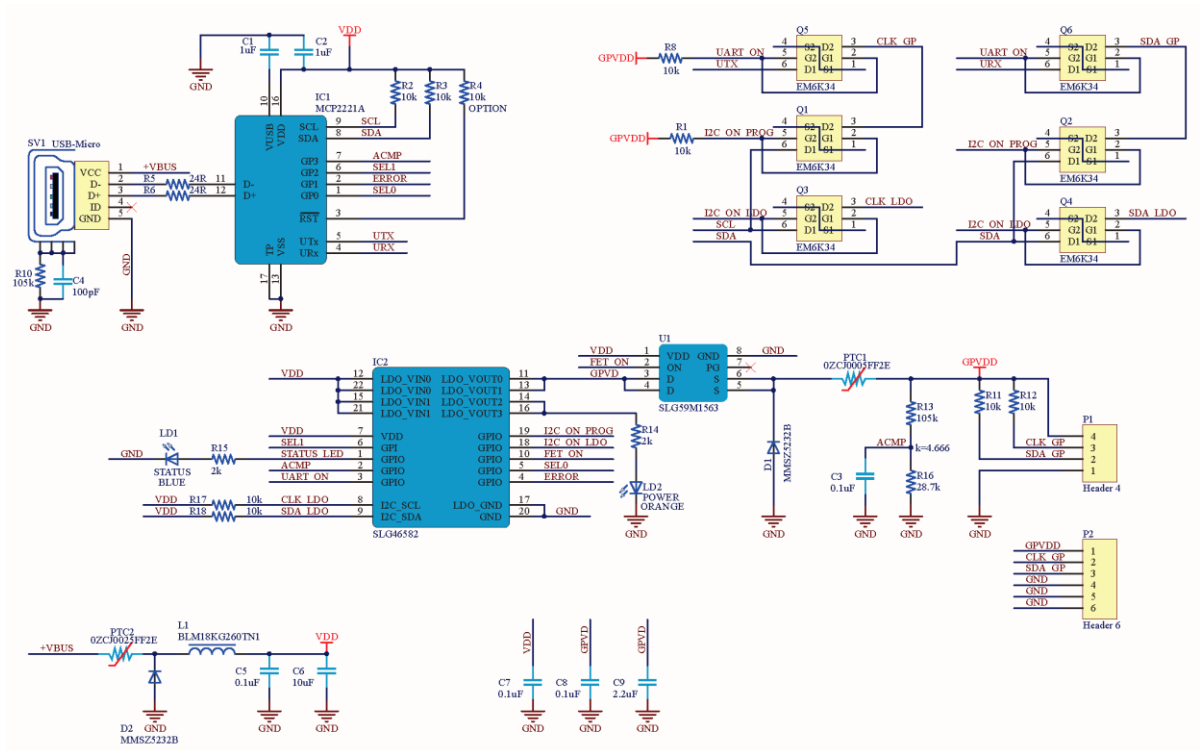
For more detailed description of the programming/emulating procedure please refer to the In-System Programming Guide.

3.2 In-System Debugging

GreenPAK Serial Debugger can be used for debugging/emulating any pre-programmed or blank GreenPAK chips that support I²C interface. It is possible to reconfigure the interconnect logic, the IOs, and the macrocells. However, all NVM changes cannot be saved and will be discarded after power off. The debugging/emulating process is done through the I²C protocol via four chip pins: V_{DD}, SCL, SDA, and GND.

When the GSD is connected to the USB port, the "Power" LED turns on. The ISP connector (P1 or P2) should be connected to the external board. The debugged/emulated chip can be powered from the GSD or from the external power supply. The GSD detects the external power and switches off its V_{DD} line (in this case, I²C pull-up resistors are connected to the external power supply).

See Section [3.1](#) for physical connections between the GSD and the target board.



GreenPAK Serial Debugger

Appendix B BOM

#	Designator	Description	Footprint	Quantity
1	C1, C2	CAP CER 1UF 10V Y5V 0402	C0402	2
2	C4	CAP CER 100PF 10V X7R 0402	C0402	1
3	C3, C5, C7, C8	CAP CER 0.1UF 10V X5R 0402	C0402	4
4	C6	CAP CER 10UF 10V X5R 0805	C0805	1
5	C9	CAP CER 2.2UF 10V X5R 0402	C0402	1
6	D1, D2	TVS DIODE 5VWM 9.2VC SOD123W	SOD123	2
7	IC1	USB Bridge, USB to I ² C/UART USB 2.0 I ² C, UART Interface 16-QFN (4x4)	QFN16-4.0x4.0	1
8	IC2	IC2_SLG46582V_ISDP_Adress0001	STQFN-20L-2.0x3.0	1
9	L1	FERRITE BEAD 26 OHM 0603 1LN	F0603	1
10	LD1	LED BLUE CLEAR 0603 SMD	LED0603_BLUE	1
11	LD2	Orange 605nm LED Indication - Discrete 2.2V 0603 (1608 Metric)	LED0603_ORANGE	1
12	P1	CONN RECEPT 4POS .100 R/A PCB	MOLEX_4pin	1
13	PTC1	PTC RESET FUSE 60V 50MA 1206	R_1206	1
14	PTC2	PTC RESET FUSE 16V 250MA 1206	R_1206	1
15	Q1, Q2, Q3, Q4, Q5, Q6	MOSFET 2N-CH 50V 0.2A EMT6	SOT-563	6
16	R1, R2, R3, R8, R11, R12, R17, R18	RES SMD 10K OHM 1% 1/16W 0402	RES 0402L (1005)	8
17	R5, R6	RES SMD 24 OHM 1% 1/16W 0402	RES 0402L (1005)	2
18	R10, R13	RES SMD 105K OHM 1% 1/16W 0402	RES 0402L (1005)	2
19	R14, R15	RES SMD 2K OHM 1% 1/16W 0402	RES 0402L (1005)	2
20	R16	RES SMD 28.7K OHM 1% 1/16W 0402	RES 0402L (1005)	1
21	SV1	CONN USB MICRO B RECPT SMT R/A	m_USB	1
22	U1	SLG59M1563V	STDFN_1.0x1.6- 8L1	1
23	P2	CONN HEADER SH 4POS TOP 1MM TIN	BM04B_WHITE	1

Revision History

Revision	Date	Description
1.0	20-Oct-2020	Initial version

GreenPAK Serial Debugger

Status Definitions

Status	Definition
DRAFT	The content of this document is under review and subject to formal approval, which may result in modifications or additions.
APPROVED or unmarked	The content of this document has been approved for publication.

Disclaimer

Unless otherwise agreed in writing, the Dialog Semiconductor products (and any associated software) referred to in this document are not designed, authorized or warranted to be suitable for use in life support, life-critical or safety-critical systems or equipment, nor in applications where failure or malfunction of a Dialog Semiconductor product (or associated software) can reasonably be expected to result in personal injury, death or severe property or environmental damage. Dialog Semiconductor and its suppliers accept no liability for inclusion and/or use of Dialog Semiconductor products (and any associated software) in such equipment or applications and therefore such inclusion and/or use is at the customer's own risk.

Information in this document is believed to be accurate and reliable. However, Dialog Semiconductor does not give any representations or warranties, express or implied, as to the accuracy or completeness of such information. Dialog Semiconductor furthermore takes no responsibility whatsoever for the content in this document if provided by any information source outside of Dialog Semiconductor.

Dialog Semiconductor reserves the right to change without notice the information published in this document, including, without limitation, the specification and the design of the related semiconductor products, software and applications. Notwithstanding the foregoing, for any automotive grade version of the device, Dialog Semiconductor reserves the right to change the information published in this document, including, without limitation, the specification and the design of the related semiconductor products, software and applications, in accordance with its standard automotive change notification process.

Applications, software, and semiconductor products described in this document are for illustrative purposes only. Dialog Semiconductor makes no representation or warranty that such applications, software and semiconductor products will be suitable for the specified use without further testing or modification. Unless otherwise agreed in writing, such testing or modification is the sole responsibility of the customer and Dialog Semiconductor excludes all liability in this respect.

Nothing in this document may be construed as a license for customer to use the Dialog Semiconductor products, software and applications referred to in this document. Such license must be separately sought by customer with Dialog Semiconductor.

All use of Dialog Semiconductor products, software and applications referred to in this document is subject to Dialog Semiconductor's [Standard Terms and Conditions of Sale](http://www.dialog-semiconductor.com), available on the company website (www.dialog-semiconductor.com) unless otherwise stated.

Dialog, Dialog Semiconductor and the Dialog logo are trademarks of Dialog Semiconductor Plc or its subsidiaries. All other product or service names and marks are the property of their respective owners.

© 2020 Dialog Semiconductor. All rights reserved.

RoHS Compliance

Dialog Semiconductor's suppliers certify that its products are in compliance with the requirements of Directive 2011/65/EU of the European Parliament on the restriction of the use of certain hazardous substances in electrical and electronic equipment. RoHS certificates from our suppliers are available on request.

Contacting Dialog Semiconductor

United Kingdom (Headquarters)

Dialog Semiconductor (UK) LTD
Phone: +44 1793 757700

Germany

Dialog Semiconductor GmbH
Phone: +49 7021 805-0

The Netherlands

Dialog Semiconductor B.V.
Phone: +31 73 640 8822

Email:

enquiry@diasemi.com

North America

Dialog Semiconductor Inc.
Phone: +1 408 845 8500

Japan

Dialog Semiconductor K. K.
Phone: +81 3 5769 5100

Taiwan

Dialog Semiconductor Taiwan
Phone: +886 281 786 222

Web site:

www.dialog-semiconductor.com

Hong Kong

Dialog Semiconductor Hong Kong
Phone: +852 2607 4271

Korea

Dialog Semiconductor Korea
Phone: +82 2 3469 8200

China (Shenzhen)

Dialog Semiconductor China
Phone: +86 755 2981 3669

China (Shanghai)

Dialog Semiconductor China
Phone: +86 21 5424 9058