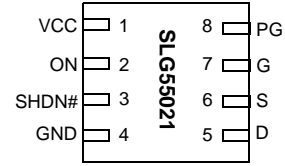




Features

- 5V \pm 5% Power supply
- SLG55021 Drain Voltage Range 1.0V to 20V
- Internal Gate Voltage Charge Pump
- Controlled Turn on Delay
- Controlled Load Discharge Rate
- Controlled Turn on Slew Rate
- Stable Slew Rate (\pm 2% typ) over Temperature Range
- TDFN-8 Package
- Pb-Free / Halogen-Free / RoHS compliant

Pin Configuration

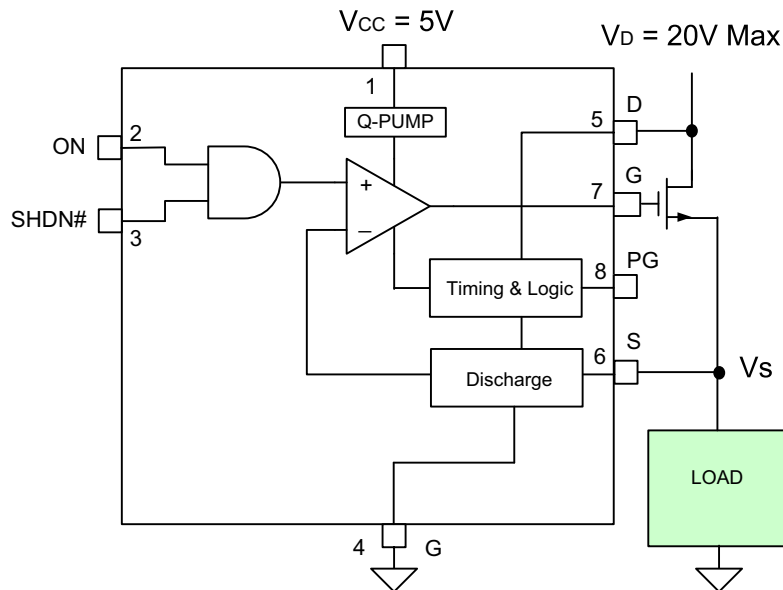


TDFN-8
(Top View)

Applications

- Power Rail Switches
- Hot Plugging Applications
- Soft Switching
- Personal computers and Servers
- Data Communications Equipment

Block Diagram



SLG55021
For N-MOSFETS with $V_{GS} < 20V$



Pin Description

| Pin Name | Pin Number | Type | Pin Description |
|----------|------------|--------|--|
| VCC | 1 | Power | Supply Voltage |
| ON | 2 | Input | CMOS Logic Level. High True |
| SHDN# | 3 | Input | Shut Down# - Low True Signal which immediately turns FET off |
| GND | 4 | GND | Ground |
| D | 5 | Input | FET Drain Connection |
| S | 6 | Input | Source Connection |
| G | 7 | Output | FET Gate Drive |
| PG | 8 | Output | Output CMOS Open Drain - Power Good, indicates external FET fully on |

Overview

The SLG55021 N-Channel FET Gate Driver is used for controlling a delayed turn on and ramping slew rate of the source voltage on N-Channel FET switches from a CMOS logic level input. Intended as a supporting control element for switched voltage rails in energy efficient, advanced power management systems, the SLG55021 also integrates circuits to discharge opened switched voltage rails. The gate driver is available in a variety of configurations supporting a range of turn-on slew rates from 0.80V/ms up to 4V/ms which, depending on load supplying source voltages in the range of 1.0V to 20V results in ramp times from 200 μ s up to over 20ms (see Application Section). Delays until the ramp begins are source voltage independent and range from 250 μ s to 5ms. A power good condition is output to indicate that the ramp-up slew of the source voltage is finished. Additionally, an internal discharge circuit provides a controlled path to remove charge from open power rails. The SLG55021 gate drive is packaged in an 8 pin DFN package.

When used with external N-Channel FETs, the SLG55021 supports low transient, energy efficient switching of high current loads at source voltages ranging from 1.0V to 20V.

Ordering Information

| Part Number | Ramp Slew Rate (Volts/ms) | Delay Time (ms) | Discharge Resistor (ohms) | Package Type |
|--------------------|---------------------------|-----------------|---------------------------|-----------------------------------|
| SLG55021-200010V | 2.0 | 0.15 | 200 | TDFN-8 |
| SLG55021-200010VTR | 2.0 | 0.15 | 200 | TDFN-8 - Tape and Reel (3k units) |



Absolute Maximum Conditions

| Parameter | Min. | Max. | Unit |
|-----------------------------|------|------|------|
| V_D or V_S to GND | -0.3 | 40.0 | V |
| Voltage at Logic Input pins | -0.3 | 6.5 | V |
| Current at input pin | -1.0 | 1.0 | mA |
| Storage temperature range | -65 | 150 | °C |
| Operating temperature range | -55 | 125 | °C |
| Junction temperature | -- | 150 | °C |
| ESD Human Body Model | -- | 2000 | V |
| ESD Machine Model | -- | 200 | V |
| Moisture Sensitivity Level | 1 | | |

Electrical Characteristics (-10°C to 75°C)

| Symbol | Parameter | Condition/Note | Min. | Typ. | Max. | Unit |
|-----------------|------------------------------|---|-------|------|-------|----------|
| V_{CC} | Supply Voltage | | 4.75 | 5.0 | 5.25 | V |
| I_q | Quiescent Current | V_G not ramping FET = ON | -- | <7 | 10 | μ A |
| | | V_G not ramping FET = OFF | -- | 0.1 | 1 | μ A |
| V_D | FET Drain Voltage | SLG55021 | 1.0 | -- | 20 | V |
| V_{GS} | Gate-Source Voltage | SLG55021 | 8.0 | 11.5 | 13 | V |
| C_G | FET Gate Capacitance | | 500 | -- | 8000 | pF |
| T_{DELAY} | Ramp Delay Range | 1.5ms Default, 500 μ s step | 0.105 | 0.15 | 0.195 | ms |
| T_{SLEW} | FET Turn on Slew Rate | | 1.4 | 2.0 | 2.6 | V/ms |
| $I_{DISCHARGE}$ | Internal Discharge Resistor | Nominal discharge time of ~100ms 10mA max rate | 100 | 200 | 300 | Ω |
| V_{IH} | HIGH-level input voltage | ON, SHDN# (200mV Hysteresis) | 2.4 | -- | 5.5 | V |
| V_{IL} | LOW-level Input voltage | ON, SHDN# (200mV Hysteresis) | -- | -- | 0.4 | V |
| V_{OH} | HIGH-level output voltage | PG Open Drain | -- | -- | 5.5 | V |
| I_{OL_LOGIC} | Logic LOW level output | PG Sink Current | 1 | 2 | 3 | mA |
| I_{IH}^* | SHDN# | $V_{IH} = 3.3V$ | -- | -- | <1.0 | μ A |
| I_{G_OL} | Gate Drive Sink Current | | 400 | -- | -- | μ A |
| I_{G_OH} | Gate Drive Source Current | | 32 | -- | -- | μ A |
| I_{D_IH} | Drain Pin Current | $V_D = 20V$ in Standby | -- | -- | <1.0 | μ A |
| I_{S_IH} | Source Pin Current Quiescent | $V_S = 20V$ | -- | -- | <1.0 | μ A |

* If using an open drain to drive SHDN#; pull up with 10k Ω to V_{CC}

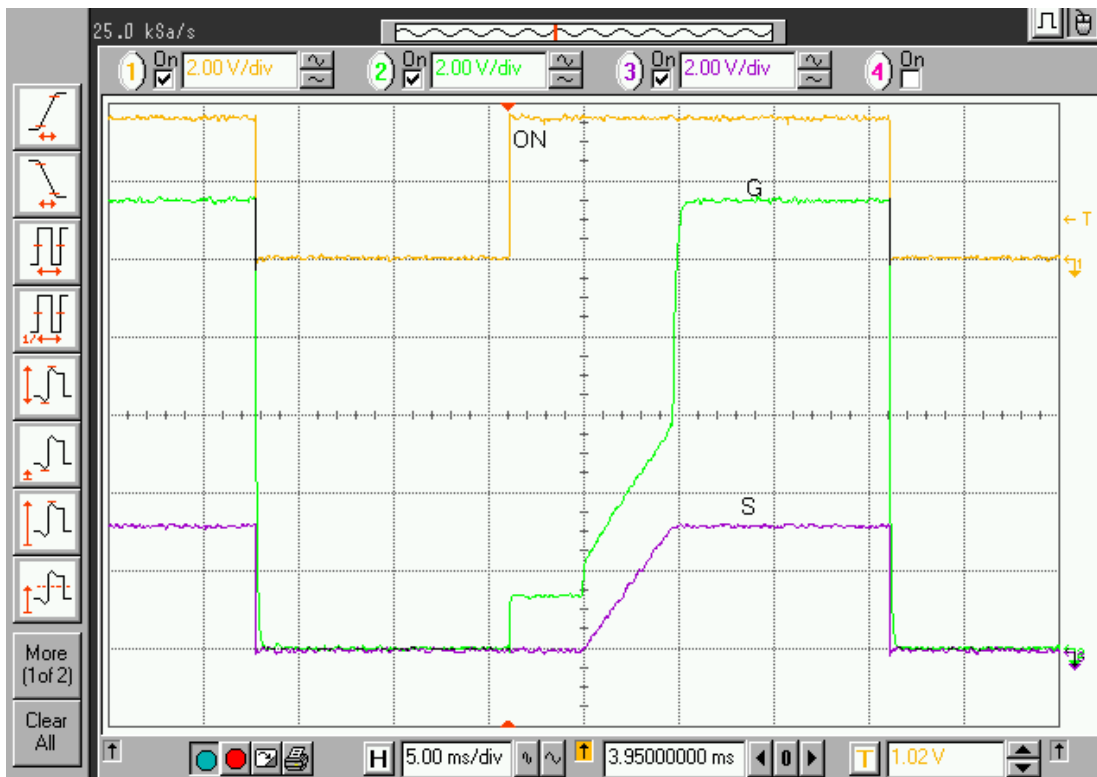


Application Example

In a typical application, de-asserting ON (low) or asserting the low true Shut Down signal (SHDN#) turns off the external power N-FET. SHDN# is provided as an asynchronous override to the ON signal. When the FET is turned off, the voltage at the load is discharged through a resistor (typically 200 ohms) internal to the SLG55021 with the discharge current limited to a maximum of 10mA. When ON is asserted (high), gate voltage is not applied to the gate of the external power N-FET until after T_{DELAY} then the gate source (Vgs) voltage is ramped up to 11.5V above the source voltage V_S at a slew rate determined by the internal slew rate control element internal to the SLG55021. Monotonic rise of V_S is maintained even as I_D increases dramatically after the load device turn on threshold voltage is reached. After the source voltage has ramped up to its maximum steady state value, the Open Drain PG (Power Good) signal is asserted. PG may be used as the ON control of a second SLG55021 thereby providing power on sequence control of a number of switched power rails, or used in a 'wired and' with other PG signals to indicate all switched power rails are in a power good condition.

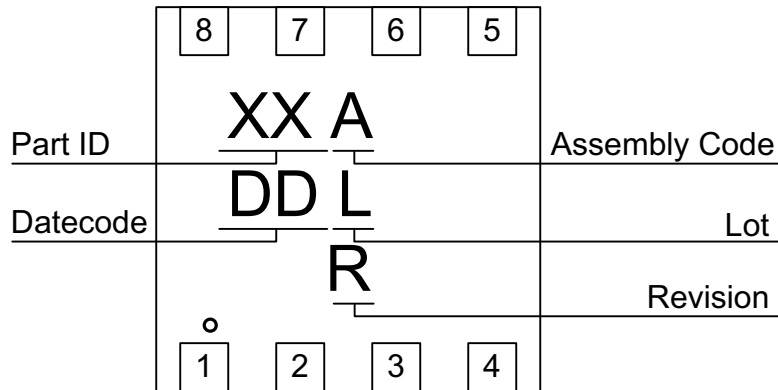
The devices will not operate if V_{CC} is below 3.5V.

The waveforms shown illustrate the monotonic rise of the source voltage of a FET as gate voltage is controlled to accommodate for variations in load current as the voltage is applied.





Package Top Marking System Definition

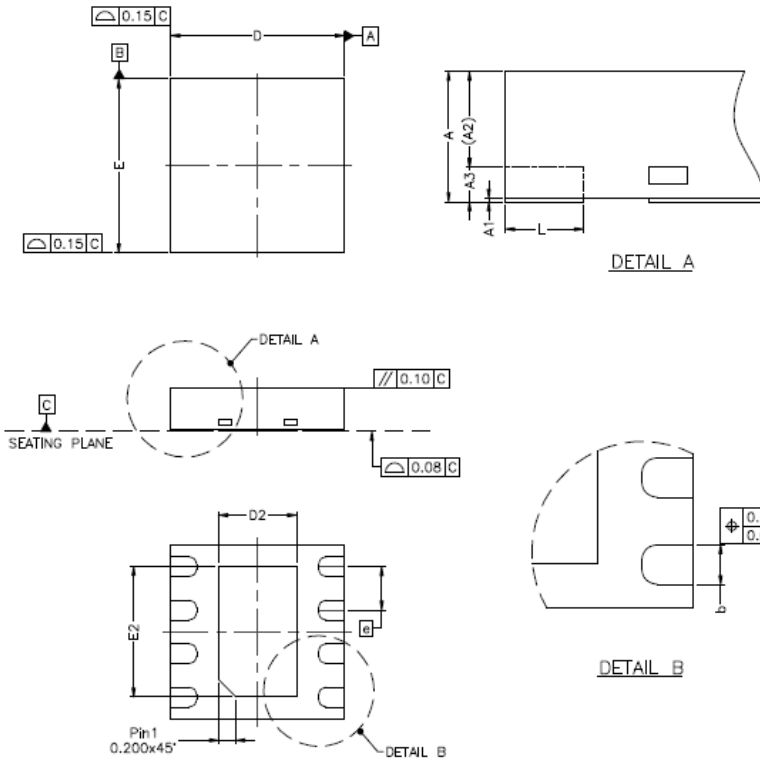


- XX – Part ID Field: identifies the specific device configuration
- A – Assembly Code Field: Assembly Location of the device.
- DD – Date Code Field: Coded date of manufacture
- L – Lot Code: Designates Lot #
- R – Revision Code: Device Revision



Package Drawing and Dimensions

8 Lead TDFN Package



| SYMBOL | DIMENSION (MM) | | | DIMENSION (MIL) | | |
|--------|----------------|------|------|-----------------|------|------|
| | MIN. | NOM. | MAX. | MIN. | NOM. | MAX. |
| A | 0.70 | 0.75 | 0.80 | 28 | 30 | 31 |
| A1 | 0.00 | 0.02 | 0.05 | 0 | 1 | 2 |
| A2 | 0 | 0.55 | 0.80 | 0 | 22 | 31 |
| A3 | — | 0.20 | — | — | 8 | — |
| b | 0.18 | 0.25 | 0.30 | 7 | 10 | 12 |
| D | 1.90 | 2.00 | 2.10 | 74 | 79 | 83 |
| D1 | — | | | — | | |
| D2 | 0.75 | 0.90 | 1.05 | 30 | 35 | 41 |
| E | 1.90 | 2.00 | 2.10 | 75 | 79 | 83 |
| E1 | — | | | — | | |
| E2 | 1.35 | 1.50 | 1.65 | 53 | 59 | 65 |
| e | 0.50 BSC | | | 20 BSC | | |
| L | 0.25 | 0.30 | 0.35 | 10 | 12 | 14 |

- NOTE :
1. REFER TO JEDEC STD: MO-229.
 2. DIMENSION "b" APPLIES TO METALLIZED TERMINAL AND IS MEASURED BETWEEN 0.15MM AND 0.30MM FROM THE TERMINAL TIP. IF THE TERMINAL HAS OPTIONAL RADIUS ON THE OTHER END OF THE TERMINAL, THE DIMENSION B SHOULD NOT BE MEASURED IN THAT RADIUS AREA.

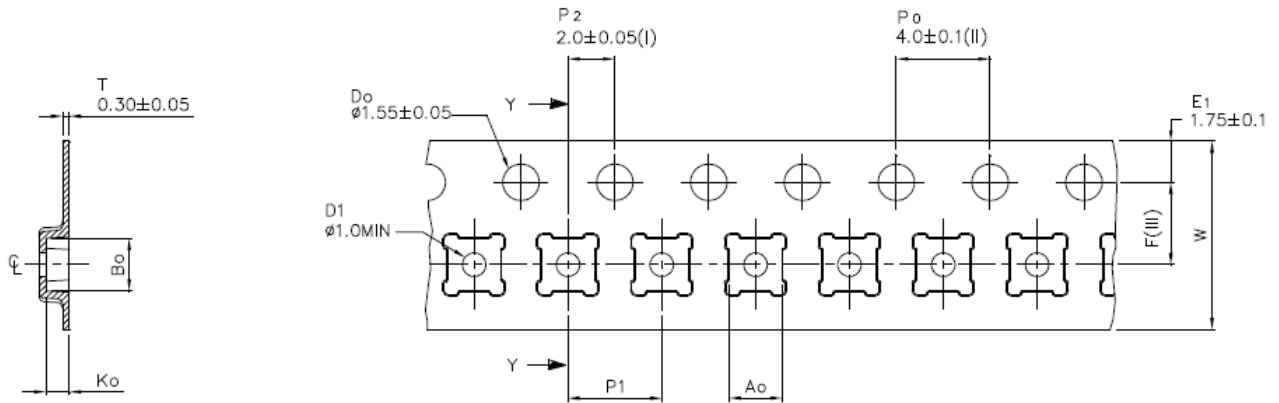
Note: Bottom side metal plate is at ground potential



Tape and Reel Specifications

| Package Type | # of Pins | Nominal Package Size | Units per Reel | Trailer A | | Leader B | | Pocket Tape(mm) | | Reel Diameter (mm) |
|--------------|-----------|----------------------|----------------|-----------|-------------|----------|-------------|-----------------|-------|--------------------|
| | | | | Pockets | Length (mm) | Pockets | Length (mm) | Width | Pitch | |
| 8TDFN | 8 | 2x2mm | 3,000 | 42 | 168 | 42 | 168 | 8 | 4 | 178 |

Tape and Reel Drawing



SECTION Y-Y

| | |
|----|-------------|
| Ao | 2.25 +/−0.1 |
| B0 | 2.25 +/−0.1 |
| Ko | 1.00 +/−0.1 |
| F | 3.50 +/−0.1 |
| P1 | 4.00 +/−0.1 |
| W | 8.00 +/−0.3 |

- (I) Measured from centreline of sprocket hole to centreline of pocket.
- (II) Cumulative tolerance of 10 sprocket holes is ± 0.20 .
- (III) Measured from centreline of sprocket hole to centreline of pocket.
- (IV) Other material available.

ALL DIMENSIONS IN MILLIMETRES UNLESS OTHERWISE STATED.



Revision History

| Date | Version | Change |
|-----------|---------|---|
| 7/27/2017 | 1.03 | Added Pb-Free/Halogen Free/RoHS compliance Added MSL |
| 9/26/2016 | 1.02 | Removed TBD values Fixed typos |